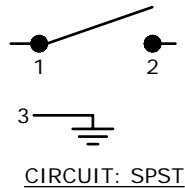
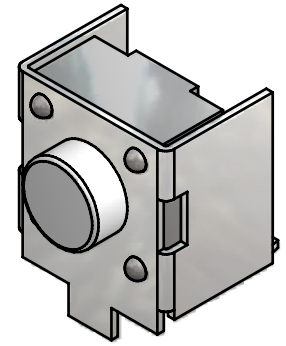
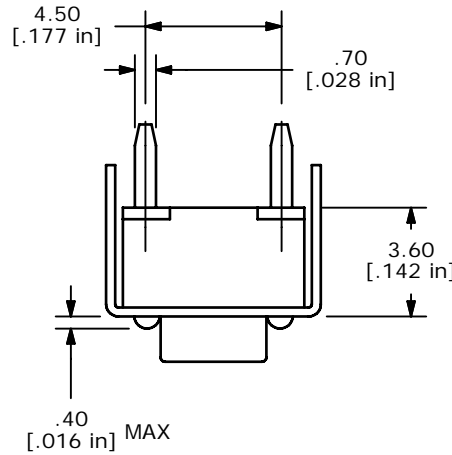
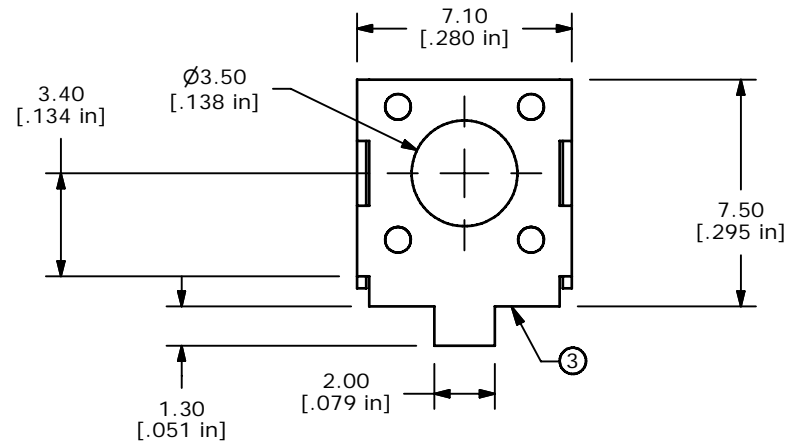


P.C.B LAYOUT

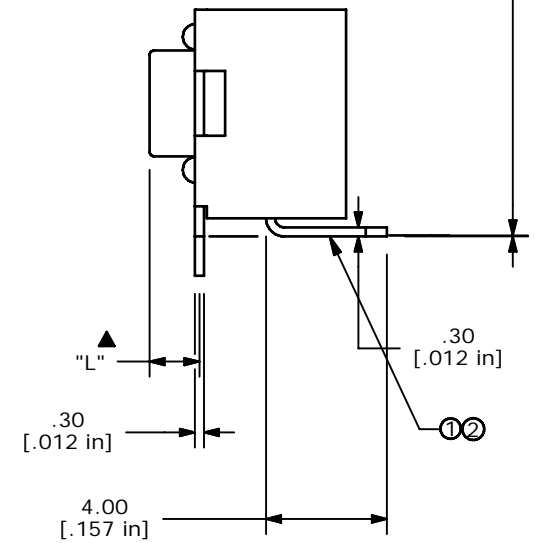


NOTES:

1. ALL DIMENSIONS IN MM [INCH]
2. GENERAL TOLERANCE: X.X=± 0.4  
X.XX=± 0.25
3. TERMINAL NUMBERS FOR REFERENCE ONLY.
4. RATING: 12VDC 50mA
- ▲ 5. OPERATING FORCES: 100; 130; 160; & 250
6. TRAVEL: 0.25±0.1 mm
7. CONTACT RESISTANCE: 100m OHMS MAX
8. INSULATION RESISTANCE: 100M OHMS MIN.
9. DIELECTRIC STRNEGTH: 250VAC FOR 1 MINUTE.
10. OPERATING TEMP: -20C TO +70C
11. STORAGE TEMPERATURE: -40C TO + 80C
12. LIFE: 80,000 CYCLES.
- ▲ 13. PACKAGING: TAPE & REEL, 500 PIECES PER REEL.
14. ▲ DENOTES CRITICAL PARAMETER.
15. 2002/95/EC (ROHS) COMPLIANT AND HALOGEN FREE



3 (①, ②, ③) SURFACES COPLANAR WITHIN 0.1mm MAX.



TITLE TL3320 Series

REV	PCR NO	DESCRIPTION	DATE	BY
-----	--------	-------------	------	----

THE INFORMATION CONTAINED IN THIS DOCUMENT IS PROPRIETARY TO E-SWITCH AND IS NOT TO BE COPIED OR TRANSFERRED

SCALE	DATE	DR	DWG	REV
4:1	12/3/2009	BLR	2001004	PB