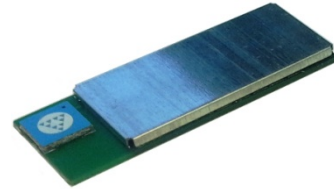


Features

- Fully qualified product with modular approval
- Bluetooth® v2.0+EDR
- Certified for CE, FCC, and IC
- Integrated high output antenna
- Transmit power up to +18 dBm
- Class1/ 2/ 3 Configurable
- Range: up to 500m (line of sight)
- Piconet and Scatternet capability,
- Supports up to 7 slaves
- Industrial temperature range -40°C to +85°C
- USB v2.0 compliant
- Extensive digital and analog I/O interface
- PCM interface for up to 3 simultaneous voice channels
- Large external memory for custom applications
- Support for 802.11b/g Co-Existence
- RoHS compliant



Applications

- Industrial and domestic appliances
- Cable replacement
- Medical systems
- Automotive applications
- Stand-alone sensors
- Embedded systems
- Cordless headsets
- Computer peripherals (Mice, Keyboard, USB dongles, etc.)
- Handheld, laptop and desktop computers
- Mobile phones



General Description

F2M03GXA is Free2move's top of the line embedded Bluetooth® v2.0+EDR module with exceptional wireless transmission characteristics. The module provide a fully Bluetooth® compliant device for data and voice communications. With a transmit power of up to +18 dBm and a receiver sensibility of down to -89 dBm the F2M03GXA is suitable for the most demanding applications. Developers can easily implement a wireless solution into their product even with limited knowledge in Bluetooth® and RF. The module is fully Bluetooth® v2.0+EDR qualified and is certified according to CE, FCC, and IC, which give fast and easy Plug-and-Go implementation and short time to market.

The F2M03GXA comes with an on board highly efficient omni-directional antenna that simplifies the integration for a developers Bluetooth® solution.

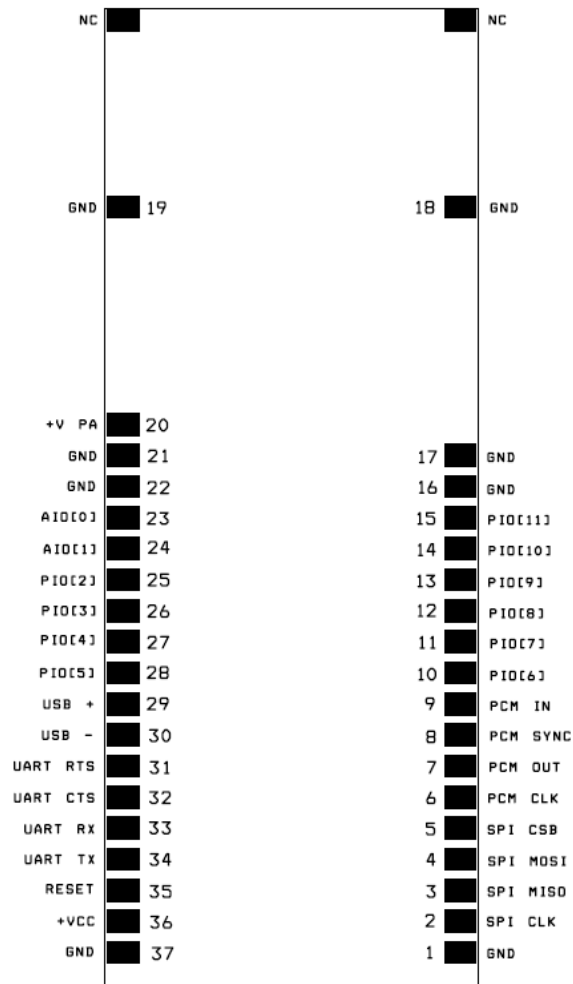


BLUETOOTH is a trademark owned by Bluetooth SIG, Inc., U.S.A. and licensed to Free2move

Table of contents

1	Device pinout	3
2	Device terminal functions	4
3	Electrical Characteristics	5
3.1	Current consumption	6
4	Radio Characteristics	8
	Firmware versions	9
4.1	Wireless UART	11
4.2	HCI	16
5	Device terminal description	18
5.1	UART Interface.....	18
5.2	USB Interface.....	19
5.3	Serial Peripheral Interface	22
5.4	I ² C Interface	22
5.5	PCM	23
5.6	PIOs	30
5.7	Power supply.....	31
6	Application information	32
6.1	Recommended land pattern	32
6.2	Layout guidelines.....	33
6.3	Typical application schematic	34
7	Package information	35
7.1	F2M03GXA	35
8	Certifications	35
8.1	Bluetooth	35
8.2	CE	35
8.3	FCC	35
8.4	Industry Canada (IC)	35
9	RoHS And REACH Statement	36
10	Tape and Reel information	36
10.1	Package Tape dimensions	36
10.2	Reel dimensions.....	37
11	Ordering information	38
12	Document history	38
	Acronyms and definitions	39

1 Device pinout



Pinout for F2M03GXA seen from the component side [TOP VIEW]

2 Device terminal functions

Ground	Pin	Pin type	Description
GND	1,16,17,18,19,21,22,37	VSS	Ground connections
Power supplies	Pin	Pin type	Description
+V PA	20	VDD for power amplifier	Positive voltage supply (3.1-3.6V)
+VCC	36	VDD	Positive voltage supply (3.1-3.6V)
Analog I/O	Pin	Pin type	Description
AIO(0)	23	Bi-directional	Programmable input/output line also possible to use as digital I/O
AIO(1)	24	Bi-directional	Programmable input/output line also possible to use as digital I/O
Reset	Pin	Pin type	Description
RESET	35	CMOS input with internal pull-up (10kΩ)	Reset if low. Input debounced so must be low for >5ms to cause a reset
Test and debug	Pin	Pin type	Description
SPI MISO	3	CMOS output, tristatable with weak internal pull-down	Serial Peripheral Interface data output
SPI CSB	5	CMOS input with weak internal pull-up	Chip select for Synchronous Serial Interface, active low
SPI CLK	2	CMOS input with weak internal pull-down	Serial Peripheral Interface clock
SPI MOSI	4	CMOS input with weak internal pull-down	Serial Peripheral Interface data input
UART	Pin	Pin type	Description
UART CTS	32	CMOS input with weak internal pull-down	UART clear to send active low
UART TX	34	CMOS output	UART data output active high
UART RTS	31	CMOS output, tristatable with internal pull-up	UART request to send active low
UART RX	33	CMOS input with weak internal pull-down	UART data input active high
PCM	Pin	Pin type	Description
PCM_OUT	7	CMOS output, tristatable with internal weak pull down	Synchronous data output
PCM_SYNC	8	Bi-directional with weak internal pull-down	Synchronous data SYNC
PCM_IN	9	CMOS input, with weak internal pull-down	Synchronous data input
PCM_CLK	6	Bi-directional with weak internal pull-down	Synchronous data clock
USB	Pin	Pin type	Description
USB +	29	Bi-directional	USB data plus
USB -	30	Bi-directional	USB data minus
PIO	Pin	Pin type	Description
PIO(11)	15	Bi-directional with programmable weak internal pull-up/down	Programmable input/output line
PIO(10)	14	Bi-directional with programmable weak internal pull-up/down	Programmable input/output line
PIO(9)	13	Bi-directional with programmable weak internal pull-up/down	Programmable input/output line
PIO(8)	12	Bi-directional with programmable weak internal pull-up/down	Programmable input/output line
PIO(7)	11	Bi-directional with programmable weak internal pull-up/down	Programmable input/output line
PIO(6)/WLAN_Active/ Ch_Data	10	Bi-directional with programmable weak internal pull-up/down	Programmable input/output line or Optionally WLAN_Active/Ch_Data input for co-existence signalling
PIO(5)/BT_Active	28	Bi-directional with programmable weak internal pull-up/down	Programmable input/output line or Optionally BT_Active output for co-existence signalling
PIO(4)/ BT_Priority/Ch_Clk	27	Bi-directional with programmable weak internal pull-up/down	Programmable input/output line or Optionally BT_Priority/Ch_Clk output for co-existence signalling
PIO(3)	26	Bi-directional with programmable weak internal pull-up/down	Programmable input/output line
PIO(2)	25	Bi-directional with programmable weak internal pull-up/down	Programmable input/output line
Not connected	Pin	Pin type	Description
NC		Not connected	Soldering pads for stability

3 Electrical Characteristics

Absolute Maximum Ratings

Rating	Min	Max
Storage Temperature	-40°C	+85°C
Breakdown supply voltage	-0.4V	5.60V

Recommended Operating Conditions*

Rating	Min	Max
Operating temperature range	-40°C	+85°C
Supply voltage	3.1V	3.6V

*F2M03GXA meet the Bluetooth® v2.0+EDR specification when used in the recommended operating condition.

Input/Output Terminal Characteristics

Digital Terminals	Min	Typ	Max	Unit
Input Voltage				
V _{IL} input logic level low, 3.1V ≤ VDD ≤ 3.6V	-0.4	-	+0.8	V
V _{IH} input logic level high	0.7VDD	-	VDD+0.4	V
Output Voltage				
V _{OL} output logic level low, (I _o = 4.0mA), 3.1V ≤ VDD ≤ 3.6V	-	-	0.2	V
V _{OH} output logic level high, (I _o = 4.0mA), 3.1V ≤ VDD ≤ 3.6V	VDD-0.2	-	-	V
Input and tri-state current				
Strong pull-up	-100	-40	-10	mA
Strong pull-down	+10	+40	+100	mA
Weak pull-up	-5.0	-1.0	-0.2	mA
Weak pull-down	+0.2	+1.0	+5.0	mA
I/O pad leakage current	-1	0	+1	mA
C _i Input Capacitance	1.0	-	5.0	pF

USB Terminals	Min	Typ	Max	Unit
USB Terminals				
VDD for correct USB operation	3.1	-	3.6	V
Input threshold				
V _{IL} input logic level low	-	-	0.3VDD	V
V _{IH} input logic level high	0.7VDD	-	-	V
Input leakage current				
C _i Input capacitance	2.5	-	10.0	pF
Output levels to correctly terminated USB Cable				
V _{OL} output logic level low	0	-	0.2	V
V _{OH} output logic level high	2.8	-	VDD	V

Notes:

Current drawn into a pin is defined as positive; current supplied out of a pin is defined as negative.

Input/Output Terminal Characteristics (Continued)

Auxiliary ADC, 8-bit resolution		Min	Typ	Max	Unit
Resolution		-	-	8	Bits
Input voltage range (LSB size = 1.8/255= 7.1mV)		0	-	1.8	V
Accuracy (Guaranteed monotonic)	INL	-1	-	1	LSB
	DNL	0	-	1	LSB
Offset		-1	-	1	LSB
Gain Error		-0.8	-	0.8	%
Input Bandwidth		-	100	-	KHz
Conversion time		-	2.5	-	μS
Sample rate*		-	-	700	Sample/s

*The ADC is accessed through the VM function. The sample rate given is achieved as a part of this function

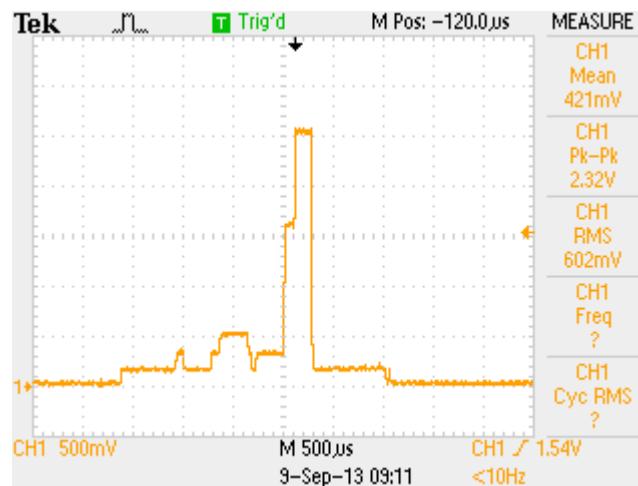
3.1 Current consumption

The F2MGXA module is power by dual voltages, one for logic and I/O, and the other for the FEM (Front End Module, LNA / PA). These two voltages are connected separately externally but can be driven by one single voltage regulator. Preferably, two separate voltage regulators should be used to minimize interference from logic and I/O on the radio frequency signal. Due to the nature of Bluetooth®, switching between transmit and receive, the regulator must be able manage fast changes in current consumption, not adding extensive amount of noise.

3.1.1 Peek current consumption

Peek current consumption during TX with different output powers

Output power [dBm]	Peek current [mA]
0	162
18	242



The Figure show when the F2M03GXA receive and transmit a packet acting as a slave in sniff mode (duty cycle of 200 ms). The peek current is 232 mA in this figure.

3.1.2 Current consumption, F2MGXA in master mode

Master trying to connect (paired)

Output power [dBm]	Average current [mA]
0	77
18	90

Master connected to slave

Output power [dBm]	Average current [mA]
0	7
18	8

Master connected, sniff mode, 200 ms duty cycle

Output power [dBm]	Average current [mA]
0	4
18	4

Master connected to slave, data transfer at 115200 baud

Output power [dBm]	Average current [mA]
0	37
18	43

3.1.3 Current consumption, F2MGXA in slave mode

Slave waiting to be connected¹

Average current [mA]
1.4

Slave connected to master

Output power [dBm]	Average current [mA]
0	21
18	22

Slave connected, sniff mode, 200 ms duty cycle

Output power [dBm]	Average current [mA]
0	4
18	4

Slave connected to master, data transfer at 115200 bit/sec

Output power [dBm]	Average current [mA]
0	35
18	41

¹ The current consumption is the same when the slave is set to "accept all units" or paired to one specific unit. In an environment with other Bluetooth® devices trying to connect, current consumption will increase.

4 Radio Characteristics

Radio Characteristics VDD= 3.3V Temperature= +20°C				
	Min	Typ	Max	Unit
Operating Frequency	2402	-	2480	MHz
Transmit Power	0	-	+18	dBm
Sensitivity at 0.1% BER		-89		dBm

Note:

The F2M0GXA has a maximum transmit power of +18 dBm and is certified according to the Bluetooth® v2.0+EDR specification as a Class1 device. It is though possible to restrict the maximum transmit power to comply with either a Class2 or Class3 device upon configuration.

Bluetooth Specification

Class of device	Maximum transmit power
Class1	+20 dBm
Class2	+4 dBm
Class3	0 dBm

5 Firmware versions

F2M03 is supplied with Bluetooth® stack firmware, which runs on the internal RISC micro controller of the Bluetooth® module. This chapter includes an overview of the different options for more in depth information please use separate firmware datasheets provided by Free2move.

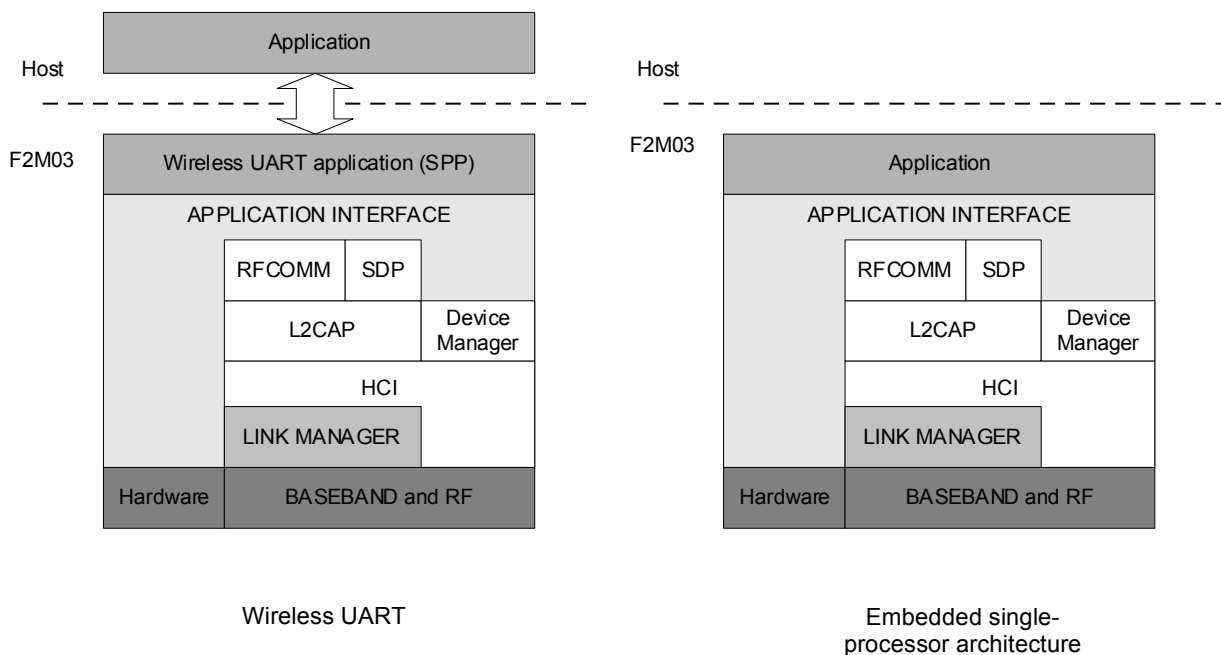
All firmware versions are compliant with the Bluetooth® specification v2.0. The F2M03 software architecture allows Bluetooth® processing to be shared between the internal micro controller and a host processor. Depending on application the upper layers of the Bluetooth® stack (above HCI) can execute on-chip or on the host processor.

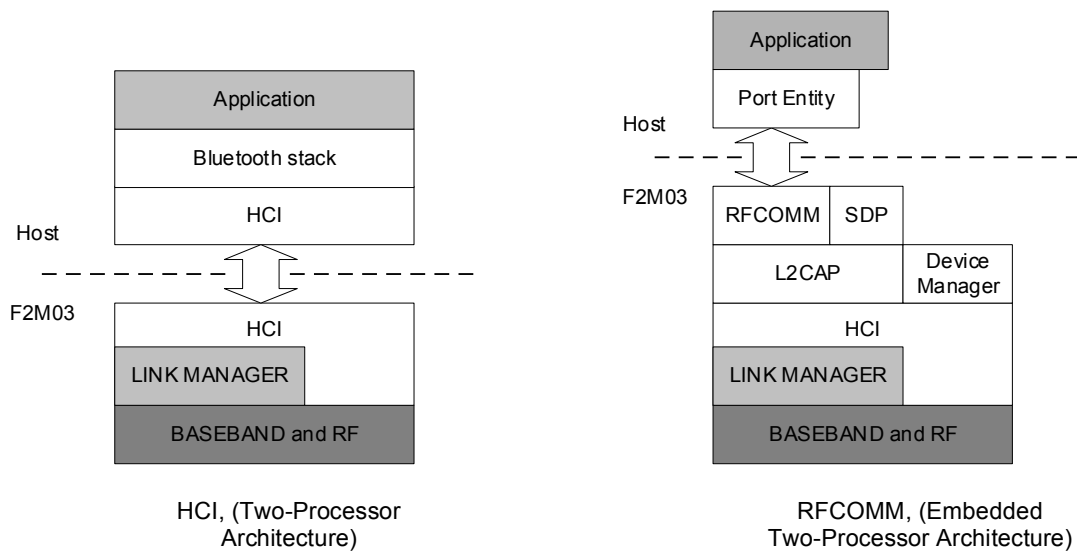
Running the upper stack on F2M03 module reduces (or eliminates, in the case of a on module application) the need for host-side software and processing time.

The integration approach depends on the type of product being developed. For example, performance will depend on the integration approach adopted. In general Free2move offers four categories of Bluetooth® stack firmware:

- Wireless UART; offers a transparent interface to the Bluetooth® channel. There is no need for additional drivers or Bluetooth® software on the host.
- Embedded module solutions offer an application to run on the module. There is no need for an external host (E.g. a Bluetooth® headset).
- Two-processor solution involving a host and host controller, where the higher layers of the Bluetooth® stack has to be implemented on the host.
- Two-processor embedded solution offers a host with limited resources to gain access to a Bluetooth® stack, with the higher layers on-chip, via a special API.

The protocol layer models for the different Bluetooth® stack firmware categories can be represented as shown in the figures below.





Wireless UART

Free2move's Wireless UART (WU) firmware is intended to replace the serial cable(s) connecting portable and/or fixed electronic devices. Key features are robustness, high configurability, high security, low complexity and low power. The WU firmware is compliant with the Bluetooth® Serial Port Profile (SPP) for setting up emulated serial cable connections between connected devices. There is no additional need for drivers or an external host with Bluetooth® software when using the WU firmware. When a successful Bluetooth® connection is established the data channel and the voice channel can be used simultaneously or separately. All information sent/received at the data/voice interface of the WU unit is exchanged transparently via Bluetooth® with the connected remote device.

HCI (Standard Two-Processor Solution)

For the standard two-processor solution, where the split between higher and lower layers of the stack takes place at the HCI, a complete Bluetooth® stack is needed in the external host. It is often preferable to use this solution when the host is a personal computer of some description. However, in general this category can include any computing platform with communications capability that is not resource limited. Free2move do not offer a host stack.

Embedded Solution

This version of the stack firmware requires no host processor. All software layers, including application software, run on the internal RISC processor in a protected user software execution environment.

The embedded solution can be used for a single chip Bluetooth product. One example is a cordless headset. However this solution is equally applicable to any small wireless device that would benefit from a single processor solution.

Free2move can offer among others the following single chip solutions upon a custom request*:

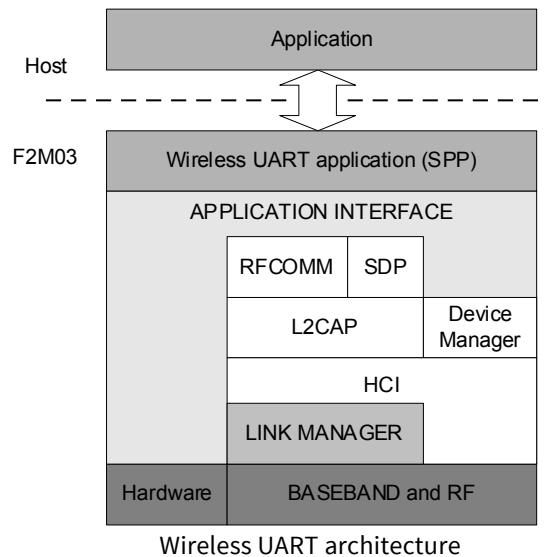
- Headset / Hands Free
- Human Interface Device; Mouse, keyboard etc (HID)
- Dial Up Network (DUN)
- Audio Gateway Profile (AGP)
- OBEX
- Onboard application (development of customer specific applications)

*Please consult your reseller for more information about custom firmwares.

5.1 Wireless UART

Free2move's Wireless UART (WU) firmware is intended to replace the serial cable(s) connecting portable and/or fixed electronic devices. Key features are robustness, high configurability, high security, low complexity and low power.

The WU firmware is compliant with the Bluetooth® Serial Port Profile (SPP) for setting up emulated serial cable connections between connected devices. There is no additional need for drivers or an external host with Bluetooth® software when using the WU firmware.



The WU application runs on top of an embedded Bluetooth® v2.0 + EDR compliant stack, including protocols up to the RFCOMM layer. Point-to-point connections are supported. This means that a unit running WU can be either a master or slave unit.

The WU firmware offers one asynchronous data channel and one synchronous voice channel, both channels capable of full duplex transmissions.

When a successful Bluetooth® connection is established the data channel and the voice channel can be used simultaneously or separately. All information sent/received at the data/voice interface of the WU unit is exchanged transparently via Bluetooth® with the connected remote device.

The WU unit is set to operate in a default mode that allows the user to communicate via the asynchronous data channel over Bluetooth®, as soon as a successful connection has been established. This can be achieved without sending any configuration commands to the WU firmware. However, as long as there is no Bluetooth® connection established, it is possible to configure the WU firmware via hex commands (described in the document *Wireless_UART_protocol*) or using a Windows configuration software.

5.1.1 General I/O

General I/O interfaces are used for different purposes between the WU firmware and the Host:

- Asynchronous data interface – configuration of the WU firmware or exchange transparent digital information between the connected Bluetooth® devices.
- Synchronous voice interface – exchange transparent voice information between the connected Bluetooth® devices.
- Bluetooth® connectivity PIO interfaces – indication and disconnection of the established Bluetooth® connection.
- Emulate serial handshaking PIO lines interface – DTE or DCE serial handshake emulation between the connected Bluetooth® devices.

UART interface (Asynchronous data and configuration):

UART	Signal Direction	Active (TTL)	Description
TX	Output	High	UART transmit data
RX	Input	High	UART receive data
RTS	Output	Low	UART request to send
CTS	Input	Low	UART clear to send

Voice interface:

CODEC I/O	Signal Direction	Description
MIC_P	Input (analogue)	Microphone input positive
MIC_N	Input (analogue)	Microphone input negative
AUX_DAC	Output (analogue)	Microphone input bias
SPKR_P	Output (analogue)	Speaker output positive
SPKR_N	Output (analogue)	Speaker output negative

PIOs are used to control/monitor the Bluetooth® connectivity of the WU firmware.

PIO	Signal Direction	Active (TTL)	Description
2	Input	High	Request to close the current Bluetooth® connection to the remote device.
3	Output	High	Indicates that a successful Bluetooth® connection is established with a remote device.

To prevent connections or to close the current Bluetooth® connection PIO[2] can be set high.

PIO[3] is held low as long as there is no Bluetooth® connection. As soon as a successful Bluetooth® connection has been established with a remote device, PIO[3] goes high.

PIOs can also be used to emulate serial handshaking lines between the connected Bluetooth® devices. Emulation can either be DTE or DCE.

Emulated Signal	PIO	Signal Direction Emulate DTE	Signal Direction Emulate DCE	Active (TTL)
RI	4	Input	Output	High
DTR	5	Output	Input	High
DCD	6	Input	Output	High
DSR	7	Input	Output	High

While the handshaking lines are transparent to the data channel these I/O may also be used to transfer digital signals between two Free2move devices running WU

Settings

The default settings allow the user to communicate via Bluetooth®, without sending any configuration commands, as soon as a successful connection has been established. Information sent and received on the serial interface of the WU unit at 38400 bps is transmitted transparently between the two connected devices. The default settings are valid as long as the user has made no configuration.

When there is no Bluetooth® connection established it is possible to configure the WU firmware via commands sent on the serial interface. All settings changed by the user are stored in persistent memory.

The following serial settings are used for configuration mode and are not configurable:

Parameter	Default Value
Baud rate	38400
Data bits	8
Parity	None
Stop bits	1
Hardware flow control	On

To be able to send commands to the Wireless UART firmware, it must be set in *Host Controlled Mode* (HCM). As previously described the Wireless UART firmware can only enter HCM when no Bluetooth® connection is established.

Once entered HCM there are several commands that can be issued:

- Configuration commands
- Software / Hardware reboot
- Inquiry (search for Bluetooth® devices in the neighborhood)
- Pairing (device security - authentication and encryption)
- Advanced configuration commands
- SCO commands
- Information commands
- Control commands

Configuration Commands

There are several settings stored in the Wireless UART firmware that can be read and modified by using the configuration commands.

Examples of these settings are:

- Local Bluetooth® name
- Local SDP-service name
- Operating mode
- Serial port settings
- Bluetooth® security settings (authentication, encryption)

There are two normal operating modes:

- Connecting mode – Bluetooth® master
- Endpoint mode – Bluetooth® slave

In Connecting mode the Wireless UART firmware will continuously try to establish a Bluetooth® connection to a specified remote Bluetooth® device in the neighborhood (Bluetooth® master).

In Endpoint mode the Wireless UART firmware may accept connections from remote Bluetooth® devices. A connection request will be accepted when the specified rules are fulfilled (Bluetooth® slave).

Software / Hardware Reboot

This option gives the ability to be able to reboot the module via software commands.

Inquiry

Search for other Bluetooth® devices in the neighborhood.

There are three configuration parameters:

- How many seconds the search should be active
- A filter, used when searching for devices of as certain class
- The possibility to include the Bluetooth® name of the discovered devices

Pairing

When authentication is enabled, the devices must be paired before a successful connection can be established.

The Wireless UART firmware can either initiate pairing with a remote device or accept pairing requests.

During a pairing PIN codes are exchanged between the local and remote device. A successful pairing requires identical PIN codes. The result of the pairing attempt will be returned to the Host. If pairing was successful, a unique link key has been generated and saved in non-volatile memory. The link key is used in the connection establishment procedure for secure verification of the relationship between the paired devices.

The Wireless UART firmware allows the user to be paired with one device at a time. The last pin code entered and link key generated are saved.

Advanced configuration

Includes among others commands for enabling power save modes, fine tune performance, enabling modem emulation and changing transmit power.

SCO commands

Makes it possible to establish full duplex audio connections between two WU units.

5.1.2 Performance

The WU firmware is a complete on-chip application; limited resources restrict the maximum throughput. The table below shows the maximum achieved throughput when streaming data between two connected WU v4.00 devices at close range.

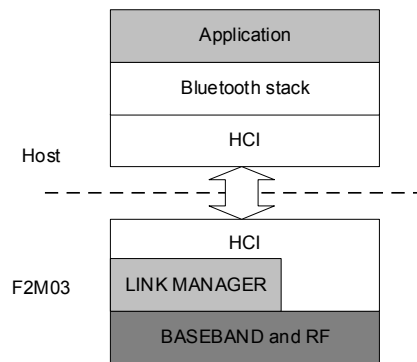
Direction	Baud Rate	Maximum Throughput (kbit/s (throughput mode))	Maximum Throughput (kbit/s) (latency mode)
Master to Slave	57600	~57.6	~57.6
Slave to Master	57600	~57.6	~57.6
Full duplex	57600	~57.6	~50.5
Master to Slave	115200	~115.1	~93.9
Slave to Master	115200	~115.1	~79.6
Full duplex	115200	~114.5	~42.0
Master to Slave	230400	~223.1	~158.0
Slave to Master	230400	~221.4	~117.7
Full duplex	230400	~172.7	~86.2
Master to Slave	460800	~228.6	~206.7
Slave to Master	460800	~222.7	~154.1
Full duplex	460800	~173.3	~109.8
Master to Slave	921600	~240.1	~235.7
Slave to Master	921600	~235.4	~186.0
Full duplex	921600	~174.7	~150.5

5.1.3 Configuration

The F2M03 can either be configured using hex commands described in the document "*Wireless_UART_protocol.pdf*" or using the Windows configuration software. The configuration software can be downloaded from www.free2move.se

5.2 HCI

In this implementation the internal processor of the module runs the Bluetooth® stack up to the Host Controller Interface (HCI) as specified in the Bluetooth® specification V1.1. The external host processor must provide all upper Bluetooth® stack layers.



Standard Two-Processor
Architecture

5.2.1 Standard Bluetooth Functionality

Bluetooth® v2.0 + EDR mandatory functionality:

- Adaptive frequency hopping (AFH), including classifier
- Faster connection - enhanced inquiry scan (immediate FHS response)
- LMP improvements
- Parameter ranges

Optional Bluetooth® v2.0 + EDR functionality supported:

- Adaptive Frequency Hopping (AFH) as Master and Automatic Channel Classification
- Fast Connect - Interlaced Inquiry and Page Scan plus RSSI during Inquiry
- Extended SCO (eSCO), eV3 +CRC, eV4, eV5
- SCO handle
- Synchronisation

The firmware has been written against the Bluetooth® v2.0 + EDR specification.

- Bluetooth® components: Baseband (including LC), LM and HCI
- Standard USB (v1.1) and UART (H4) HCI Transport Layers
- All standard radio packet types
- Full Bluetooth® data rate, enhanced data rates of 2 and 3Mbps⁽¹⁾
- Operation with up to seven active slaves⁽¹⁾
- Operation with up to three SCO links, routed to one or more slaves
- Scatternet v2.5 operation
- Maximum number of simultaneous active ACL connections: 7⁽²⁾
- Maximum number of simultaneous active SCO connections: 3⁽²⁾
- Role switch: can reverse Master/Slave relationship
- All standard SCO voice coding, plus “transparent SCO”
- Standard operating modes: Page, Inquiry, Page-Scan and Inquiry-Scan
- All standard pairing, authentication, link key and encryption operations

- Standard Bluetooth® power saving mechanisms: Hold, Sniff and Park modes, including “Forced Hold”
- Dynamic control of peers’ transmit power via LMP
- Master/Slave switch
- Broadcast
- Channel quality driven data rate (CQDDR)
- All standard Bluetooth® Test Modes
- Standard firmware upgrade via USB (DFU)

Note:

⁽¹⁾Maximum allowed by Bluetooth® v2.0 + EDR specification.

⁽²⁾F2M03 supports all combinations of active ACL and SCO channels for both Master and Slave operation, as specified by the Bluetooth® v2.0 + EDR specification.

5.2.2 Extra Functionality

The firmware extends the standard Bluetooth® functionality with the following features:

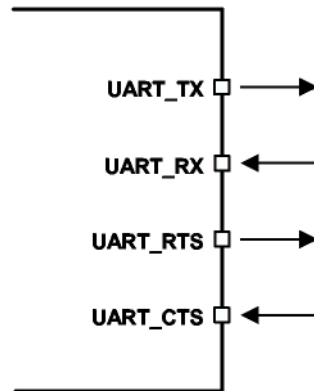
- Supports BlueCore Serial Protocol (BCSP) - a proprietary, reliable alternative to the standard Bluetooth® (H4) UART Host Transport.
- Provides a set of approximately 50 manufacturer-specific HCI extension commands. This command set (called BCCMD – “BlueCore Command”) provides:
 - Access to the module’s general-purpose PIO port
 - The negotiated effective encryption key length on established Bluetooth links
 - Access to the firmware’s random number generator
 - Controls to set the default and maximum transmit powers - these can help to reduce interference between overlapping, fixed-location piconets
 - Dynamic UART configuration
 - Radio transmitter enable/disable - a simple command connects to a dedicated hardware switch that determines whether the radio can transmit.
- The firmware can read the voltage on a pair of the module’s external pins (normally used to build a battery monitor, using either VM or host code).
- A block of BCCMD commands provides access to the module’s Persistent Store (PS) configuration database. The database sets the device’s Bluetooth address, Class of Device, radio (transmit class) configuration, SCO routing, LM, USB and DFU constants, etc.
- A UART “break” condition can be used in three ways:
 - Presenting a UART break condition to the module can force the module to perform a hardware reboot.
 - Presenting a break condition at boot time can hold the module in a low power state, preventing normal initialisation while the condition exists.
 - With BCSP, the firmware can be configured to send a break to the host before sending data - normally used to wake the host from a Deep Sleep state.
- The DFU standard has been extended with public/private key authentication, allowing manufacturers to control the firmware that can be loaded onto their Bluetooth® modules.
- A modified version of the DFU protocol allows firmware upgrade via the module’s UART.
- A block of “radio test” or Built-In Self-Test (BIST) commands allows direct control of the module’s radio. This aids the development of modules’ radio designs and can be used to support Bluetooth® qualification.
- Virtual Machine (VM). The VM allow development of customer applications on the module. Although the VM is mainly used with “RFCOMM builds” (alternative firmware builds providing L2CAP, SDP and RFCOMM), the VM can be used with this build to perform simple tasks such as flashing LEDs via the module’s PIO port.
- Hardware low power modes: Shallow Sleep and Deep Sleep. The module drops into modes that significantly reduce power consumption when the software goes idle.

SCO channels are normally routed over HCI (over BCSP). However, up to three SCO channels can be routed over the module’s single PCM port (at the same time as routing any other SCO channels over HCI).

6 Device terminal description

6.1 UART Interface

The F2M03 Bluetooth® module's Universal Asynchronous Receiver Transmitter (UART) interface provides a simple mechanism for communicating with other serial devices using the RS232 standard⁽¹⁾.



Universal Asynchronous Receiver

Four signals are used to implement the UART function, as shown in the figure above. When F2M03 is connected to another digital device, UART_RX and UART_TX transfer data between the two devices. The remaining two signals, UART_CTS and UART_RTS, can be used to implement RS232 hardware flow control where both are active low indicators. All UART connections are implemented using CMOS technology and have signalling levels of 0V and VDD. UART configuration parameters, such as Baud rate and packet format, are set by Free2move firmware.

Note:

In order to communicate with the UART at its maximum data rate using a standard PC, an accelerated serial port adapter card is required for the PC.

⁽¹⁾ Uses RS232 protocol but voltage levels are 0V to VDD, (requires external RS232 transceiver IC)

Parameter		Possible Values
Baud Rate	Minimum	1200 Baud ($\leq 2\%$ Error)
	Maximum	9600 Baud ($\leq 1\%$ Error)
Flow Control		RTS/CTS or None
Parity		None, Odd or Even
Number of Stop Bits		1 or 2
Bits per channel		8

Possible UART Settings

The UART interface is capable of resetting the Free2move module upon reception of a break signal. A Break is identified by a continuous logic low on the UART_RX terminal, as shown in figure below. If tBRK is longer than a special value, defined by the Free2move firmware a reset will occur. This feature allows a host to initialize the system to a known state. Also, the F2M03 can emit a Break character that may be used to wake the Host. The above capabilities are not supported in the standard firmware, please contact Free2move for more information.



Break signal

6.2 USB Interface

F2M03 contain a full-speed (12Mbps/s) USB interface, capable of driving a USB cable directly. No external USB transceiver is required. The device operates as a USB peripheral, responding to requests from a master host controller such as a PC. Both the OHCI and the UHCI standards are supported. The set of USB endpoints implemented behave as specified in the USB section of the Bluetooth® specification v2.0+EDR. As USB is a master-slave orientated system, F2M03 only supports USB slave operation.

Note: The USB interface can only be used with the HCI firmware

6.2.1 USB Data Connections

The USB data lines emerge as pins USB_DP (USB +) and USB_DN (USB -) on the package. These terminals are connected to the internal USB I/O buffers of F2M03 and therefore have low output impedance. To match the connection to the characteristic impedance of the USB cable, series resistors must be connected to both USB + and USB -.

6.2.2 USB Pull-up Resistor

F2M03 features an internal USB pull-up resistor. This pulls the USB_DP pin weakly high when F2M03 is ready to enumerate. It signals to the PC that it is a full-speed (12Mbit/s) USB device.

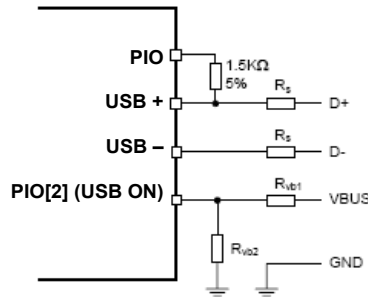
The USB internal pull-up is implemented as a current source, and is compliant with 7.1.5 of the USB specification v1.1. The internal pull-up pulls USB DP high to at least 2.8V when loaded with a 15kΩ-5% pull-down resistor (in the hub/host) (when VDD=3.1V). This presents a Thevenin resistance to the host of at least 900Ω. Alternatively, an external 1.5kΩ pull-up resistor can be placed between a PIO line and D+ on the USB cable. The default setting for the HCI-firmware uses the internal pull-up resistor.

6.2.3 Power Supply

The minimum output high voltage for USB data lines is 2.8V. To safely meet the USB specification, the voltage on terminals must be an absolute minimum of 3.1V. Free2move recommends 3.3V for optimal USB signal quality.

6.2.4 Self-Powered Mode

In self-powered mode, the circuit is powered from its own power supply and not from the VBUS (5V) line of the USB cable. It draws only a small leakage current (below 0.5mA) from VBUS on the USB cable. This is the easier mode for which to design for, as the design is not limited by the power that can be drawn from the USB hub or root port. However, it requires that VBUS be connected to F2M03 via a resistor network (Rvb1 and Rvb2), so F2M03 can detect when VBUS is powered up. F2M03 will not pull USB + high when VBUS is off.



Connections to F2M03 for Self-Powered Mode

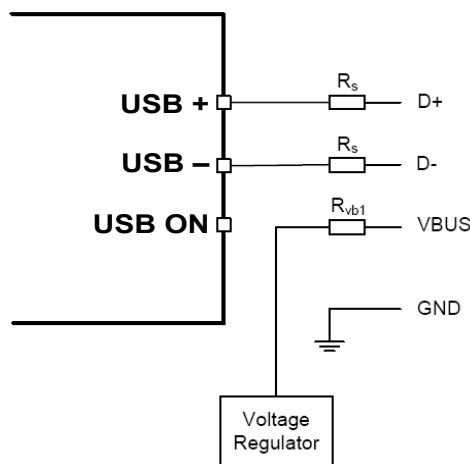
The terminal marked USB ON is default PIO[2] in the standard HCI-firmware.

6.2.5 Bus-Powered Mode

In bus-powered mode the application circuit draws its current from the 5V VBUS supply on the USB cable. F2M03 negotiates with the PC during the USB enumeration stage about power consumption. Bus-Powered mode is not supported in the default firmware of the HCI-firmware

When selecting a regulator, be aware that VBUS may go as low as 4.4V. The inrush current (when charging reservoir and supply decoupling capacitors) is limited by the USB specification (see USB 1.1 specification, section 7.2.4.1). Some applications may require soft-start circuitry to limit inrush current if more than 10μF is present between VBUS and GND.

The 5V VBUS line emerging from a PC is often electrically noisy. Regulation down to e.g. VDD=3.3V should include careful filtering of the 5V line to attenuate noise that is above the voltage regulator’s bandwidth. Excessive noise on the VDD supply pins of F2M03 may result in reduced receive sensitivity and a distorted transmit signal. Recommended voltage regulator for the F2M03 is presented in section 6.7.



Connections to F2M03 for Bus-Powered Mode

Identifier	Value	Function
R _s	27Ω nominal	Impedance matching to USB cable
R _{vb1}	22kΩ -5%	VBUS ON sense divider
R _{vb2}	47kΩ -5%	VBUS ON sense divider

USB Interface Component Values

Note: USB ON is shared with F2M03’s PIO terminals.

6.2.6 Suspend Current

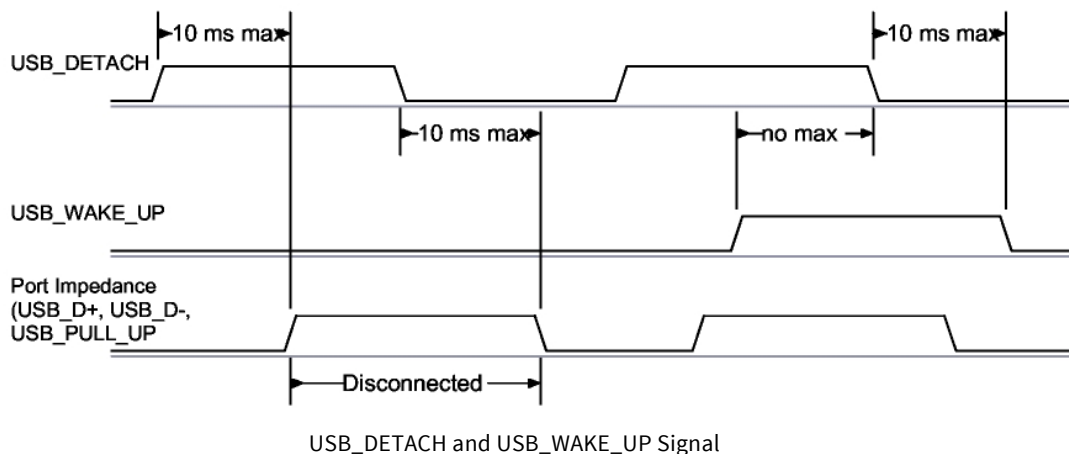
USB devices that run off VBUS must be able to enter a suspended state, whereby they consume less than 0.5mA from VBUS. The voltage regulator circuit itself should draw only a small quiescent current (typically less than 100µA) to ensure adherence to the suspend-current requirement of the USB specification. This is not normally a problem with modern regulators. The entire circuit must be able to enter the suspend mode.

6.2.7 Detach and Wake_Up Signalling

F2M03 can provide out-of-band signalling to a host controller by using the dedicated control lines called USB_DETACH and USB_WAKE_UP. These are outside the USB specification (no wires exist for them inside the USB cable), but can be useful when embedding F2M03 into a circuit where no external USB is visible to the user. Both control lines are shared with PIO pins and can be assigned to any PIO pin by firmware settings (contact Free2move)

USB_DETACH, is an input which, when asserted high, causes F2M03 to put USB- and USB+ in a high-impedance state and turns off the pull-up resistor on USB+. This detaches the device from the bus and is logically equivalent to unplugging the device. When USB_DETACH is taken low, F2M03 will connect back to USB and await enumeration by the USB host.

USB_WAKE_UP, is an active high output (used only when USB_DETACH is active) to wake up the host and allow USB communication to recommence. It replaces the function of the software USB WAKE_UP message (which runs over the USB cable proper), and cannot be sent while F2M03 is effectively disconnected from the bus.



6.2.8 USB Driver

A USB Bluetooth® device driver is required to provide a software interface between F2M03 and Bluetooth® applications running on the host. Free2move don't supply this driver.

6.2.9 USB 1.1 Compliance

The Bluetooth® chip on the F2M03 is qualified to the USB specification v1.1, details of which are available from <http://www.usb.org>. The specification contains valuable information on aspects such as PCB track impedance, supply inrush current and product labeling.

Although F2M03's Bluetooth® module meets the USB specification, Free2move cannot guarantee that an application circuit designed around the chip is USB compliant. The choice of application circuit, component choice and PCB layout all affect USB signal quality and electrical characteristics. The information in this document is intended as a guide and should be read in association with the USB specification. Independent

USB qualification must be sought before an application is deemed USB compliant and can bear the USB logo. Such qualification can be obtained from a USB plugfest or from an independent USB test house.

Terminals USB+ and USB- adhere to the USB specification v2.0 (Chapter 7) electrical requirements. For ac and dc specifications for terminals USB_DETACH, USB_WAKE_UP, USB_PULL_UP and USB_ON, refer to section PIO specification.

6.2.10 2.0 Compatibility

F2M03 is compatible with USB specification v2.0 host controllers; under these circumstances the two ends agree the mutually acceptable rate of 12Mbits/s according to the USB v2.0 specification.

6.3 Serial Peripheral Interface

F2M03 is a slave device that uses terminals SPI_MOSI, SPI_MISO, SPI_CLK and SPI_CSB. This interface is used for program emulation/debug and IC test. It is also the means by which the F2M03 flash may be programmed, before any 'boot' program is loaded.

Note:

The SPI signals should be routed out from the module if you need to upgrade the firmware on the module in the future when the module is already soldered. It is highly recommended to route out the SPI-signals of the module for software upgrade of the firmware!

Note:

The designer should be aware that no security protection is built into the hardware or firmware associated with this port, so the terminals should not be permanently connected in a PC application. This interface is not a user interface and only used for initial download and configuration of the firmware for the module.

6.4 I²C Interface

PIO[8:6] can be used to form a master I2C interface. The interface is formed using software to drive these lines. Therefore, it is suited only to relatively slow functions such as driving a dot matrix liquid crystal display (LCD), keyboard scanner or EEPROM.

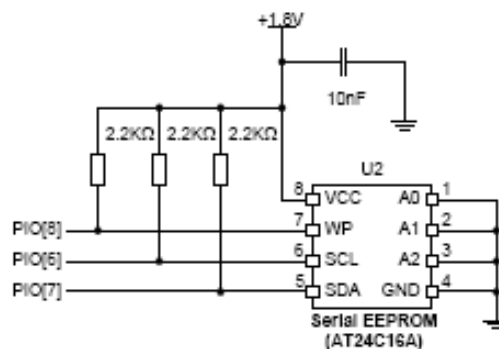
Note:

The I²C interface is controlled by firmware specific settings. Please see specific firmware datasheet for information

PIO lines need to be pulled-up through 2.2k resistors.

PIO[7:6] dual functions, UART bypass and EEPROM support, therefore, devices using an EEPROM cannot support UART bypass mode.

For connection to EEPROMs, contact Free2move for information about devices that are currently supported.



Example EEPROM Connection

6.5 PCM

Pulse Code Modulation (PCM) is the standard method used to digitise audio (particularly voice) for transmission over digital communication channels. Through its PCM interface, F2M03 has hardware support for continual transmission and reception of PCM data, thus reducing processor overhead for wireless headset and other audio applications. F2M03 offers a bi-directional digital audio interface that routes directly into the baseband layer of the on-chip firmware. It does not pass through the HCI protocol layer.

Hardware on F2M03 allows the data to be sent to and received from a SCO connection. Up to three SCO connections can be supported by the PCM interface at any one time⁽¹⁾

F2M03 can operate as the PCM interface Master generating an output clock of 128, 256 or 512kHz. When configured as PCM interface slave it can operate with an input clock up to 2048kHz. F2M03 is compatible with a variety of clock formats, including Long Frame Sync, Short Frame Sync and GCI timing environments.

It supports 13 or 16-bit linear, 8-bit μ -law or A-law companded sample formats at 8ksamples/s and can receive and transmit on any selection of three of the first four slots following PCM_SYNC. The PCM configuration options are enabled by firmware settings (contact Free2move).

F2M03 interfaces directly to PCM audio devices includes the following:

Qualcomm MSM 3000 series and MSM 5000 series CDMA baseband devices

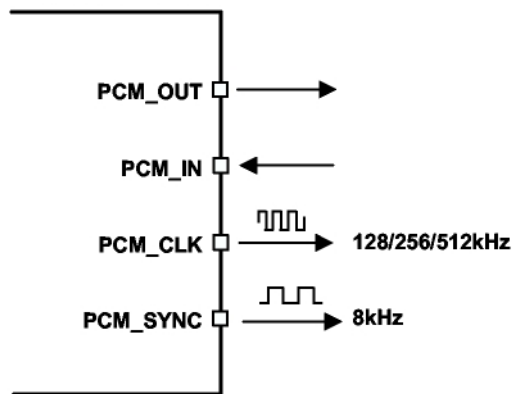
- OKI MSM7705 four channel A-law and μ -law CODEC
- Motorola MC145481 8-bit A-law and μ -law CODEC
- Motorola MC145483 13-bit linear CODEC
- Winbond W681360R 13-bit linear CODEC
- STW 5093 and 5094 14-bit linear CODECs
- F2M03 is also compatible with the Motorola SSI™ interface

Note:

⁽¹⁾ Subject to firmware support, contact Free2move for current status.

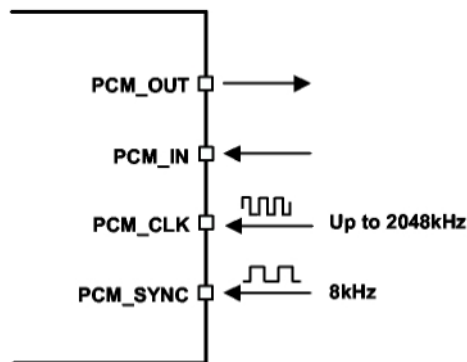
6.5.1 PCM Interface Master/Slave

When configured as the Master of the PCM interface, F2M03 generates PCM_CLK and PCM_SYNC.



F2M03 as PCM Interface Master

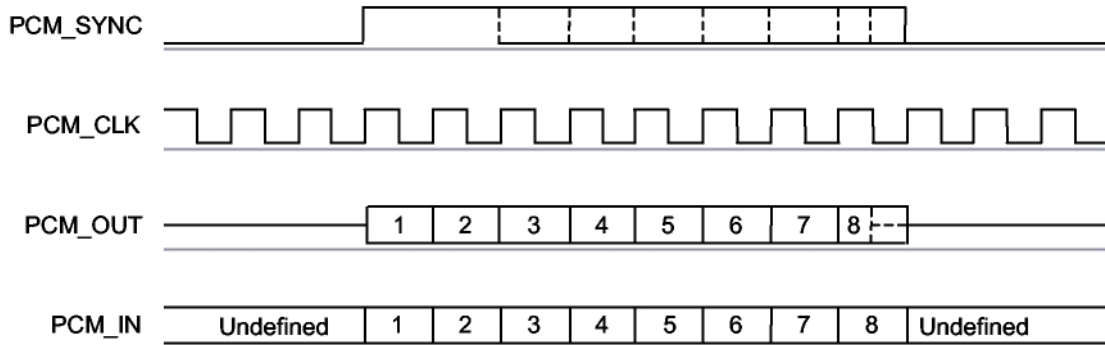
When configured as the Slave of the PCM interface, F2M03 accepts PCM_CLK rates up to 2048kHz



F2M03 as PCM Interface Master

6.5.2 Long Frame Sync

Long Frame Sync is the name given to a clocking format that controls the transfer of PCM data words or samples. In Long Frame Sync, the rising edge of PCM_SYNC indicates the start of the PCM word. When F2M03 is configured as PCM Master, generating PCM_SYNC and PCM_CLK, then PCM_SYNC is 8-bits long. When F2M03 is configured as PCM Slave, PCM_SYNC may be from two consecutive falling edges of PCM_CLK to half the PCM_SYNC rate (i.e., 62.5µs) long.

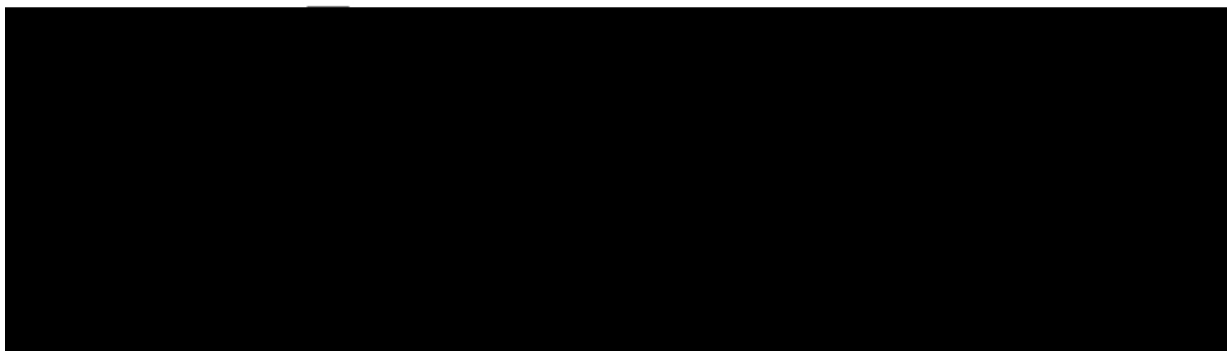


Long Frame Sync (Shown with 8-bit Companded Sample)

F2M03 samples PCM_IN on the falling edge of PCM_CLK and transmits PCM_OUT on the rising edge. PCM_OUT may be configured to be high impedance on the falling edge of PCM_CLK in the LSB position or on the rising edge.

6.5.3 Short Frame Sync

In Short Frame Sync the falling edge of PCM_SYNC indicates the start of the PCM word. PCM_SYNC is always one clock cycle long.

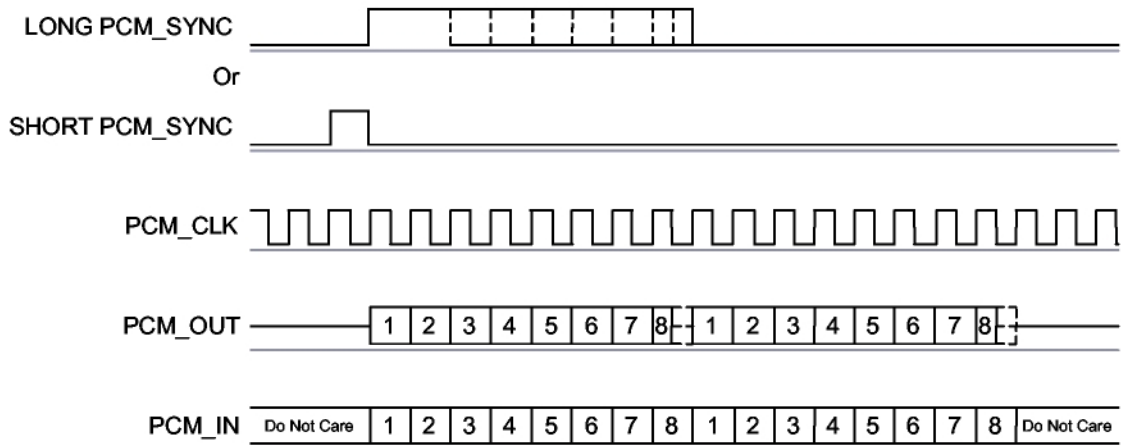


Short Frame Sync (Shown with 16-bit Sample)

As with Long Frame Sync, F2M03 samples PCM_IN on the falling edge of PCM_CLK and transmits PCM_OUT on the rising edge. PCM_OUT may be configured to be high impedance on the falling edge of PCM_CLK in the LSB position or on the rising edge.

6.5.4 Multi-Slot Operation

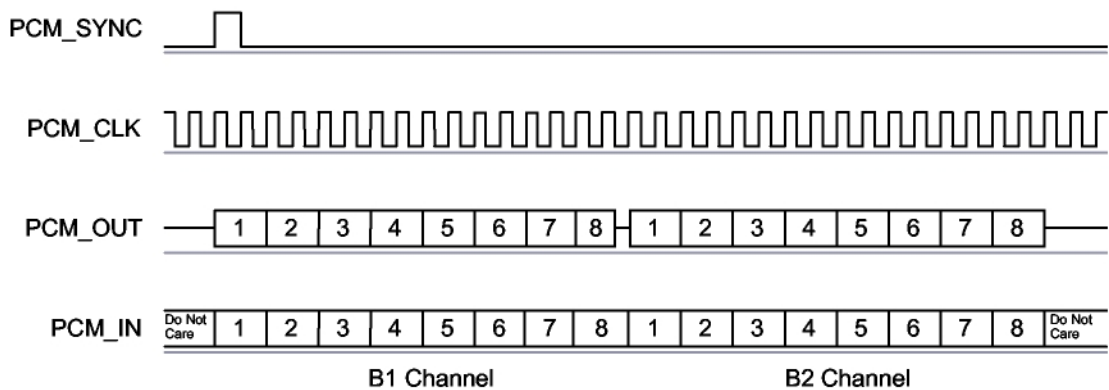
More than one SCO connection over the PCM interface is supported using multiple slots. Up to three SCO connections can be carried over any of the first four slots.



Multi-slot Operation with Two Slots and 8-bit Companded Samples

6.5.5 GCI Interface

F2M03 is compatible with the General Circuit Interface, a standard synchronous 2B+D ISDN timing interface. The two 64Kbps B channels can be accessed when this mode is configured. In the GCI interface two clock cycles are required for each bit of the voice sample. The voice sample format is 8-bit companded. As for the standard PCM interface up to 3 SCO connections can be carried over the first four slots.



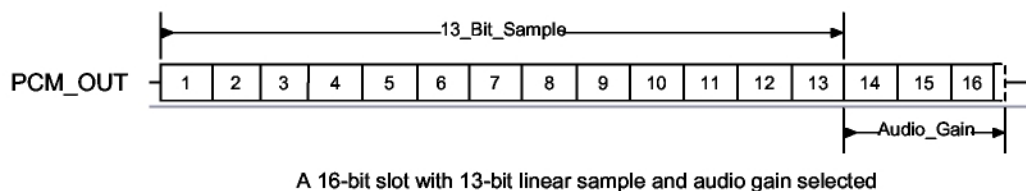
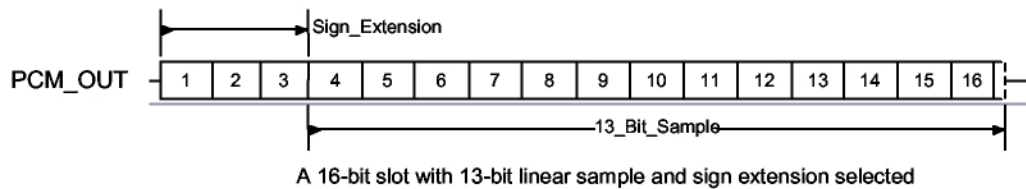
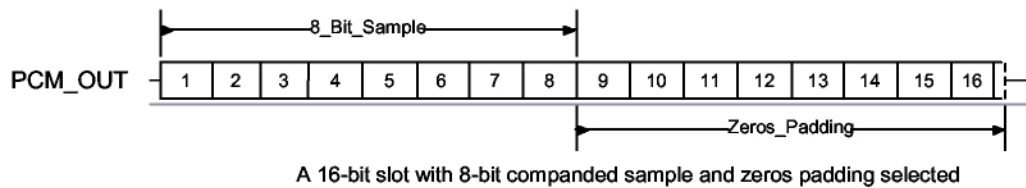
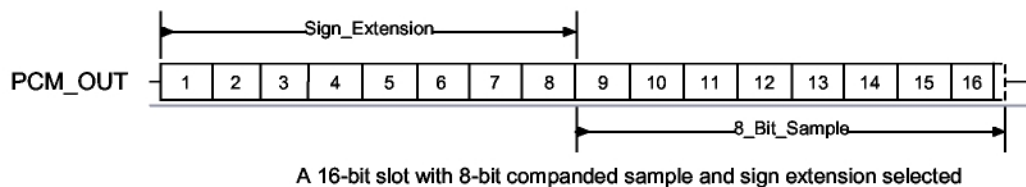
GCI Interface

The start of frame is indicated by PCM SYNC and runs at 8kHz. With F2M03 in Slave mode, the frequency of PCMCLK can be up to PCM_SYNC. In order to configure the PCM interface to work in GCI mode it is necessary to have the correct firmware support (contact Free2move)

6.5.6 Slots and Sample Formats

F2M03 can receive and transmit on any selection of the first four slots following each sync pulse. Slot durations can be either 8 or 16 clock cycles. Durations of 8 clock cycles may only be used with 8-bit sample formats. Durations of 16 clocks may be used with 8, 13 or 16-bit sample formats.

F2M03 supports 13-bit linear, 16-bit linear and 8-bit μ -law or A-law sample formats. The sample rate is 8ksamples/s. The bit order may be little or big endian. When 16-bit slots are used, the 3 or 8 unused bits in each slot may be filled with sign extension, padded with zeros or a programmable 3-bit audio attenuation compatible with some Motorola CODECS.



6.5.7 Additional Features

F2M03 has a mute facility that forces PCM_OUT to be 0. In Master mode, PCM_SYNC may also be forced to 0 while keeping PCM_CLK running (which some CODECS use to control power-down)

6.5.8 PCM Timing Information

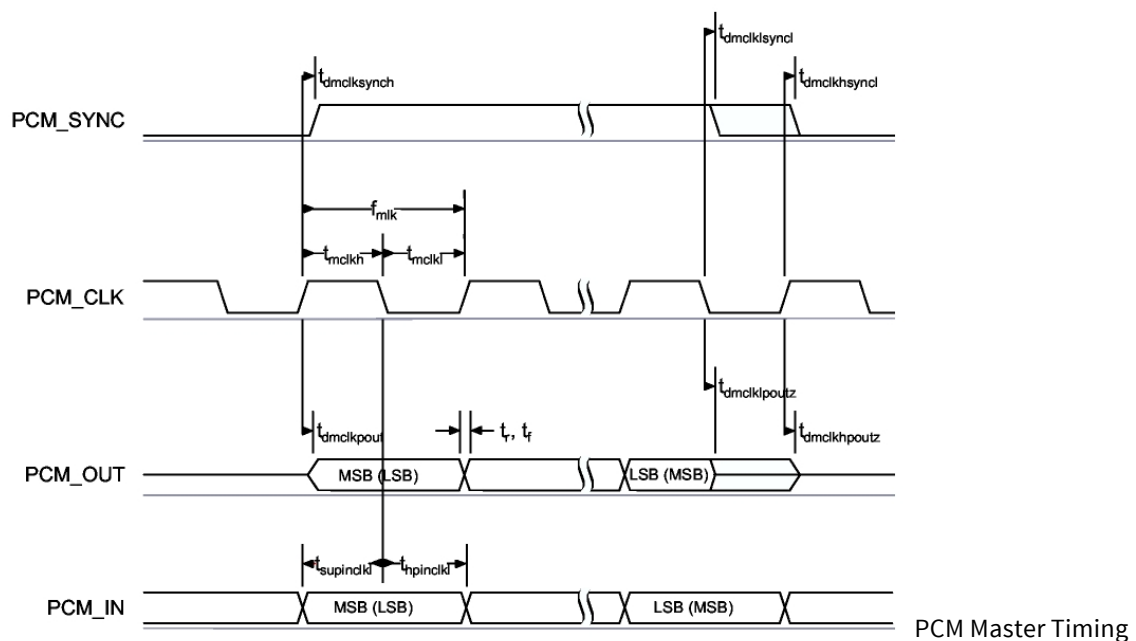
PCM Master Timing

Symbol	Parameter	Min ⁽¹⁾	Typ	Max ⁽²⁾	Unit
f_{mclk}	PCMCLK frequency	-	128 256 512	-	kHz
-	PCM_SYNC frequency	-	8	-	kHz
$t_{mclkh}^{(1)}$	PCM_CLK high	980	-	-	ns
$t_{mckl}^{(1)}$	PCM_CLK low	730	-	-	ns
$t_{dmclksynch}$	Delay time from PCM_CLK high to PCM_SYNC high	-	-	20	ns
$t_{dmclkpout}$	Delay time from PCM_CLK high to valid PCM_OUT	-	-	20	ns
$t_{dmclksyncl}$	Delay time from PCM_CLK low to PCM_SYNC low (Long Frame Sync only)	-	-	20	ns
$t_{dmclksyncl}$	Delay time from PCM_CLK high to PCM_SYNC low	-	-	20	ns
$t_{dmclkpoutz}$	Delay time from PCM_CLK low to PCMOU high impedance	-	-	20	ns
$t_{dmclkhoutz}$	Delay time from PCM_CLK high to PCMOU high impedance	-	-	20	ns
$t_{supinclk}$	Set-up time for PCM_IN valid to PCM_CLK low	30	-	-	ns
$t_{hpinclk}$	Hold time for PCM_CLK low to PCM_IN invalid	30	-	-	ns
t_r	Edge rise time ($C_l = 50$ pf, 10-90 %)	-	-	15	ns
t_f	Edge fall time ($C_l = 50$ pf, 10-90 %)	-	-	15	ns

Note:

⁽¹⁾ Assumes normal system clock operation. Figures will vary during low power modes, when system clock speeds are reduced.

⁽²⁾ Valid for temperatures between -40°C and +85°C

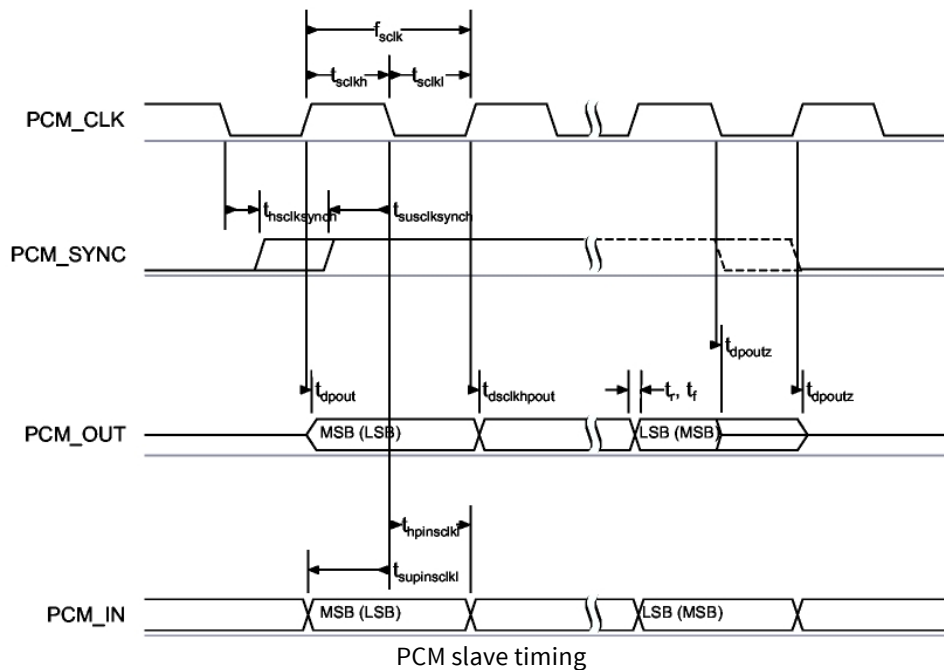


PCM Slave Timing

Symbol	Parameter	Min ⁽¹⁾	Typ	Max ⁽¹⁾	Unit
f_{sclk}	PCM clock frequency (Slave mode: input)	64	-	2048	kHz
f_{sclk}	PCM clock frequency (GCI mode)	128	-	4096	kHz
t_{sckl}	PCM_CLK low time	200	-	-	ns
t_{scklh}	PCM_CLK high time	200	-	-	ns
$t_{hscklsynch}$	Hold time from PCM_CLK low to PCM_SYNC high	30	-	-	ns
$t_{suscklsynch}$	Set-up time for PCM_SYNC high to PCM_CLK low	30	-	-	ns
t_{dpout}	Delay time from PCM_SYNC or PCM_CLK whichever is later, to valid PCM_OUT data (Long Frame Sync only)	-	-	20	ns
$t_{dscklhpout}$	Delay time from CLK high to PCM_OUT valid data	-	-	20	ns
t_{dpoutz}	Delay time from PCM_SYNC or PCM_CLK low, whichever is later, to PCM_OUT data line high impedance	-	-	20	ns
$t_{supinsckl}$	Set-up time for PCM_IN valid to CLK low	30	-	-	ns
$t_{hpinsckl}$	Hold time for PCM_CLK low to PCM_IN invalid	30	-	-	ns
t_r	Edge rise time (Cl = 50 pF, 10-90 %)	-	-	15	ns
T_f	Edge fall time (Cl = 50 pF, 10-90 %)	-	-	15	ns

Note:

⁽¹⁾ Valid for temperatures between -40°C and +105°C



6.6 PIOs

The F2M03GXA have 10 programmable general-purpose I/O ports PIO[11:2] and two analog I/O ports AIO[1:0]. PIO lines can be configured through software to have either weak or strong pull-ups or pull-downs.

All PIO lines are configured as inputs with weak pull-downs at reset.

AIO[1:0] functions available via these pins include an 8-bit ADC but can also be used as general-purpose I/O lines. Typically the AIO[0] is used for battery voltage measurement. The voltage range for AIO[1:0] is constrained by the internal analogue supply voltage which is 1.8V.

Note:

The PIO and AIO lines are controlled by firmware specific settings. Please see specific firmware datasheet for information about the PIOs used!

6.6.1 General-purpose I/O lines

PIO[2]

Programmable I/O terminal.

PIO[3]

Programmable I/O terminal.

PIO[4]/ BT_Priority/Ch_Clk

Programmable input/output line or Optionally BT_Priority/Ch_Clk output for co-existence signalling

PIO[5]/BT_Active

Programmable input/output line or Optionally BT_Active output for co-existence signalling

PIO[6]/WLAN_Active/Ch_Data

Programmable input/output line or Optionally WLAN_Active/Ch_Data input for co-existence signalling

PIO[7]

Programmable I/O terminal.

PIO[8]

Programmable I/O terminal.

PIO[9]

Programmable I/O terminal.

PIO[10]

Programmable I/O terminal.

PIO[11]

Programmable I/O terminal.

6.6.2 Analog I/O lines

AIO[0]

Programmable input/output line also possible to use as digital I/O

AIO[1]

Programmable input/output line also possible to use as digital I/O

6.7 Power supply

The power supply for the F2M03GXA should be chosen carefully. Bad power supply can reduce the performance and may damage the module. Please use the recommended voltage regulator or consult Free2move if using another regulator. It is also essential to use a proper reset circuit to the module for correct operation.

6.7.1 Voltage regulator

The F2M03GXA have two power supplies, +V_PA and +VCC.

It is recommended to use two separate voltage regulators for best performance but it is possible to use only one regulator if the design is made carefully. The voltage supplied should have low noise, less than 10mV rms between 0 and 10MHz. The transient response of the regulator is also important. At the start of a Bluetooth packet, power consumption will jump to high levels. The regulator should have a response time of 20 μ s or less; it is essential that the power rail recover quickly.

+V_PA is feeding the external PA and is in need of high current with low noise.

+VCC is feeding the internal circuits (Bluetooth chip and memory).

The power supply for +V_PA and +VCC should have less than 10mV rms noise levels between 0 to 10MHz. The recommended voltage regulator is: TPS73633DBVTG4 from Texas Instrument

6.7.2 Reset

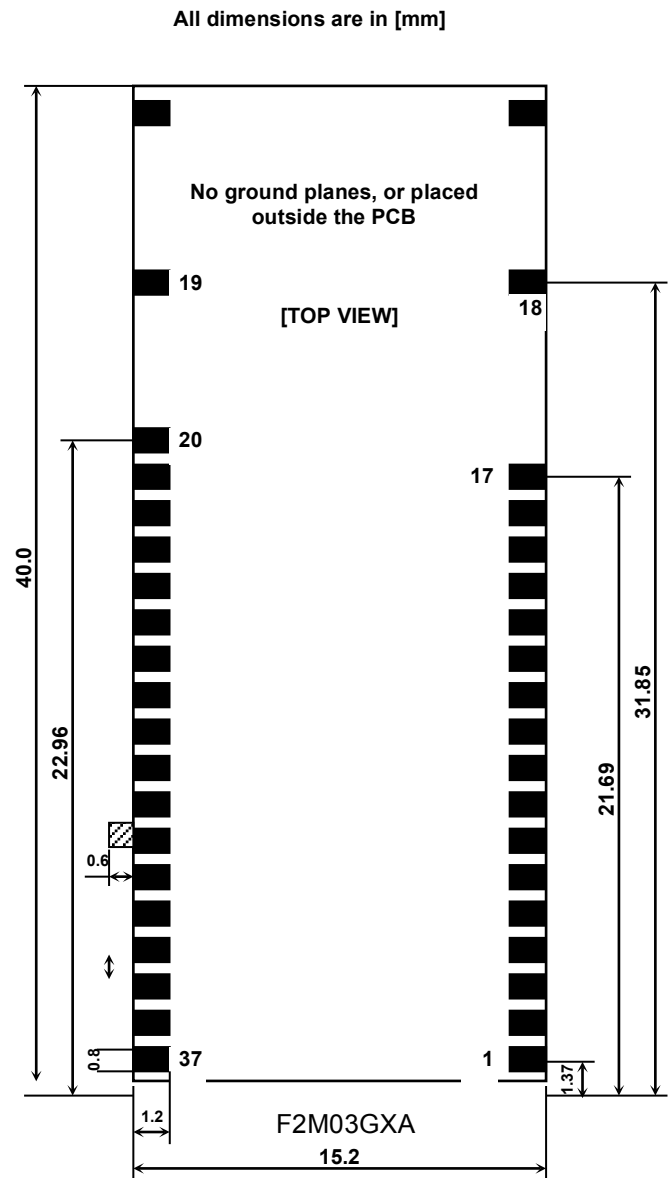
The F2M03GXA has an active low reset (pin nr: 35). The reset pin MUST be connected to either a reset-circuit (voltage monitor) such as the TC1270ASVRCTR, MAX811S, DS1818 or using an I/O from a microcontroller. Reset cannot be done with a R-C network. It is recommended to use one of the reset circuits mentioned above. Special considerations must be taken when using an I/O from a microcontroller; a pull-down resistor (1.8k Ω) must be placed on the I/O-line.

It is recommended that RESET is applied for a period greater than 5ms.

At reset the digital I/O pins are set to inputs for bi-directional pins and outputs are tristated. The PIOs have weak pull-downs.

7 Application information

7.1 Recommended land pattern



■ Solder pad

▨ Recommended extended pad for manual soldering (apply to all pads)

■ Restricted area for ground planes or other components

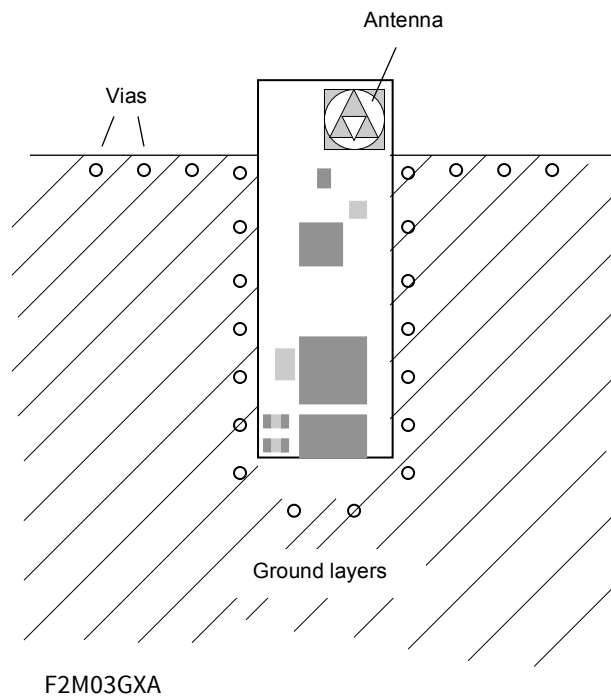
- Pad size: 0.8x1.2mm
- Pitch: 1.27mm (50mil)

7.2 Layout guidelines

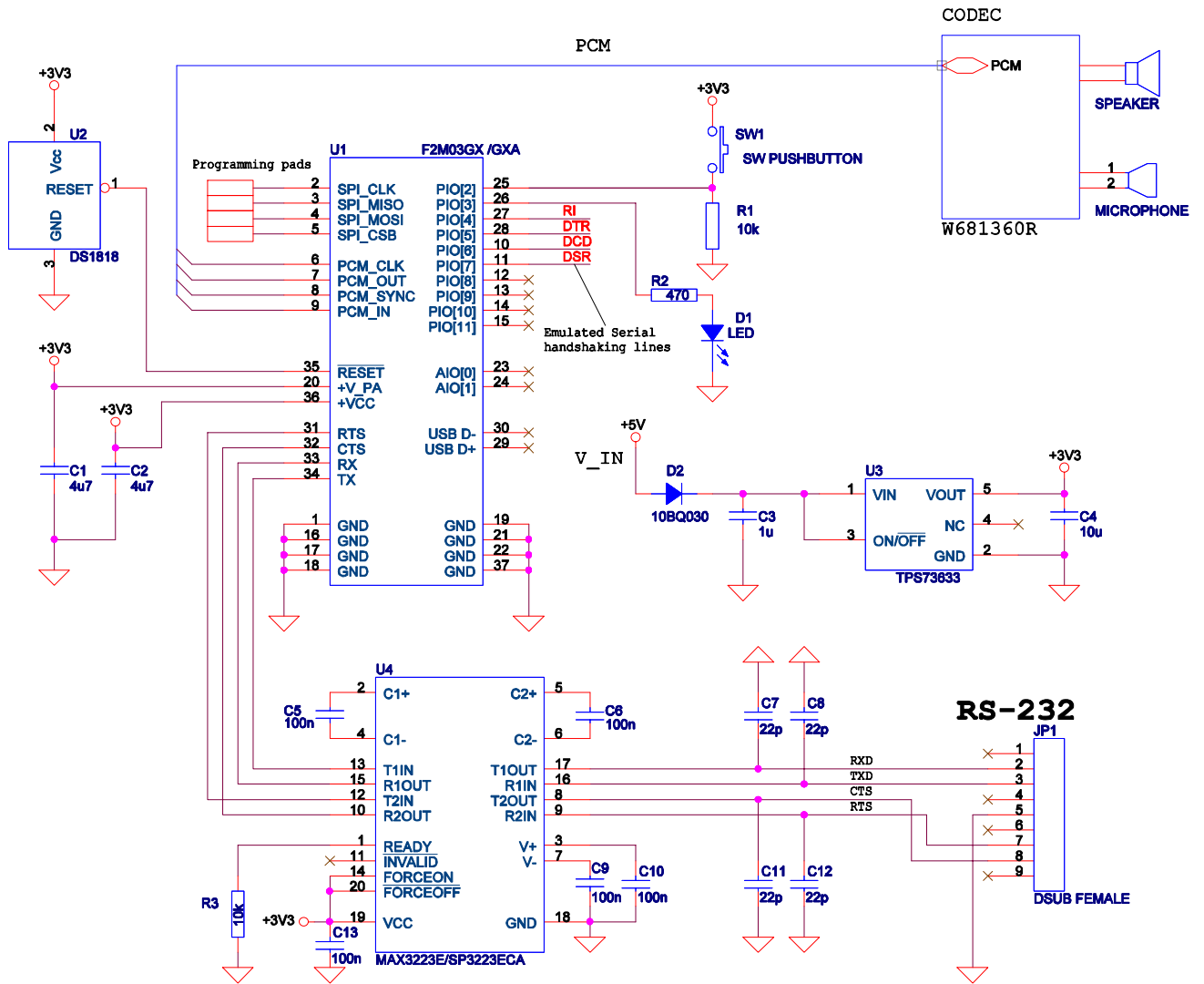
The module uses bottom pads for soldering optimized for an automatic solder line. It is also possible to solder the module manually by using hot air soldering. For manual soldering solder pads may in some situation be made slightly larger to allow easier heating process.

To achieve good RF performance it is recommended to place ground plane(s) beneath the module but not under the antenna. The ground planes should be connected with vias surrounding the module. Except from the ground plane it is preferable that there are as few components and other material as possible nearby the antenna. Free air is the best surrounding for the antenna.

All GND pads must be connected directly to a flooded ground-plane. If more then one ground layer is used then make a good connection between them using many via holes. +VCC and +V_PA should be connected to the LDO using a wide trace.



7.3 Typical application schematic



Typical application schematic for F2M03GXA when using the Wireless UART firmware

8 Package information

8.1 F2M03GXA

Physical size [mm]:

Length: 40.0
Width: 15.2
Height: 2.8

Weight: 2.0g

9 Certifications

9.1 Bluetooth

F2M03GXA module is a Bluetooth® qualified and listed as end product, and it is Bluetooth® compliant to the following profiles of the core specification version 2.0/2.0+EDR: RF, Baseband, Link Manager, Host controller interface, Logical Link and Adaptation Protocol, Service Discovery Protocol, Generic Access Profile, RFCOMM with TS 07.10, Serial Port Profile, Hands-Free Profile 1.5, and Headset Profile.

The Bluetooth® QDID is B012540.

9.2 CE

F2M03GXA module is Compliance with:

- R&TTE: ETSI EN 300 328 v.1.7.1
- EMC: ETSI EN 301 489-1, 17
- SAFTY: EN 60950-1 including A1, A11, A12

9.3 FCC

FCC RF Radiation Exposure Statement:

This equipment complies with FCC radiation exposure limits forth for an uncontrolled environment. End users must follow the specific operating instructions for satisfying RF exposure compliance. This transmitter must not be co-located or operating in conjunction with any other antenna transmitter.

F2M03GXA Bluetooth® module is approved for US (FCC/CFR 47 part 15 unlicensed modular transmitter approvals).

Note:

When including F2M03GXA Bluetooth® module in an end product, the end product must display an exterior label with the following detailed text incorporated: “Containing Transmitter Module FCC ID: R47F2M03GXA”.

9.4 Industry Canada (IC)

IC RF Radiation Exposure Statement:

This equipment complies with IC radiation exposure limits forth for an uncontrolled environment. End users must follow the specific operating instructions for satisfying RF exposure compliance. To maintain compliance with IC RF exposure requirements, please follow operation instructions as documented in this manual.

Industry Canada ID: 8229A-F2M03GXA.

10 RoHS And REACH Statement

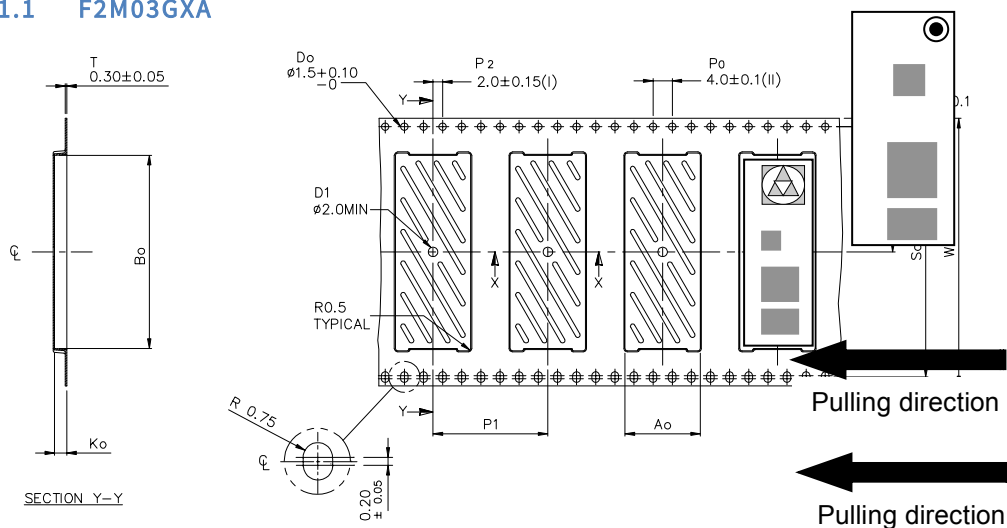
F2M03GXA meets the requirements of Directive 2011/65/EC of the European Parliament and of the Council of 8 June 2011 on the restriction of Hazardous Substance (RoHS). The modules are assembled solely using RoHS compliant components.

F2M03GXA meets the requirements of European regulation No. 1907/2006 "REACH" (Registration, Evaluation and Authorization of Chemicals). The modules are assembled solely using REACH compliant components.

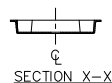
11 Tape and Reel information

11.1 Package Tape dimensions

11.1.1 F2M03GXA



A ₀	15.75 ±0.1
B ₀	40.40 ±0.1
K ₀	2.55 ±0.1
F	26.20 ±0.15
P ₁	24.00 ±0.1
S ₀	52.40 ±0.1
W	56.00 ±0.3



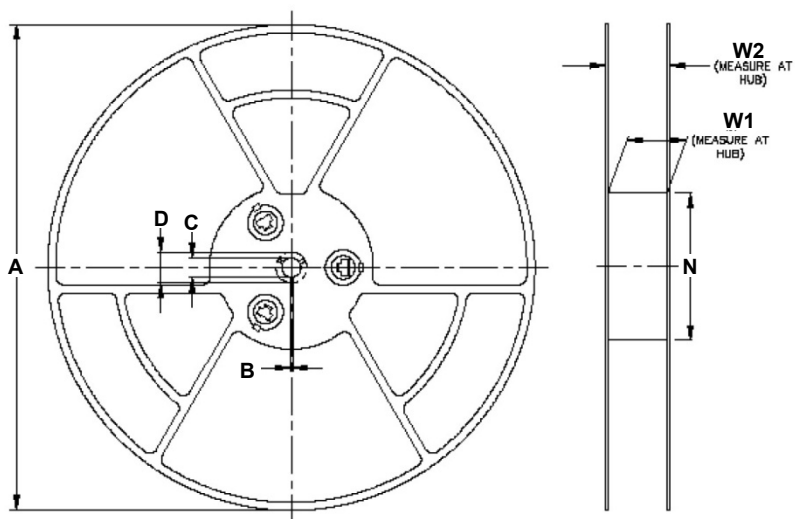
- (I) Measured from centreline of sprocket hole to centreline of pocket.
- (II) Cumulative tolerance of 10 sprocket holes is ± 0.20 .
- (III) Measured from centreline of sprocket hole to centreline of pocket.
- (IV) Other material available.

ALL DIMENSIONS IN MILLIMETRES UNLESS OTHERWISE STATED.

11.2 Reel dimensions

F2M03GXA

A	330.0 max
B	1.5 min
C	13.0±0.2
D	20.2 min
N	100.0
W1	56.4 +2.0 -0.0
W2	62.4 max



12 Ordering information

The F2M03GX /GXA is available for delivery in volumes.

Part nr:	Description
F2M03GXA-S01	Extended range Bluetooth® module with antenna and Wireless UART firmware v4. (SPP)
F2M03GXA-S04	Extended range Bluetooth® module with antenna and HCI firmware (Connected over USB)

Please use our website: www.free2move.se for more information about local distributors and dealers.

13 Document history

Date	Revision	Reason for Change
AUG 2013	e	Due to end of life of PA/LNA circuit the hardware is updated with a new FEM. The module is modular certified for CE, FCC, and IC
JUN 2010	d	Product image and logotype changed. Voltage level for PIOs changed at Electrical characteristics section changed.
JUN 2007	c	Added certification, tape & reel, power consumption information and minor other changes in the document.
JAN 2007	b	Small technical changes in the document.
NOV 2006	a	Original Publication of this document.

F2M03GXA Datasheet

Datasheet_F2M03GXA_rev_e.pdf

Last revision change
August 2013

Acronyms and definitions

Term:	Definition:
Bluetooth	A set of technologies providing audio and data transfer over short-range radio
ACL	Asynchronous Connection-Less. A Bluetooth data packet.
AC	Alternating Current
A-law	Audio encoding standard
API	Application Programming Interface
BCSP	BlueCore™ Serial Protocol
BER	Bit Error Rate. Used to measure the quality of a link
C/I	Carrier Over Interferer
CMOS	Complementary Metal Oxide Semiconductor
CODEC	Coder Decoder
CPU	Central Processing Unit
CQDDR	Channel Quality Driven Data Rate
CTS	Clear to Send
CVSD	Continuous Variable Slope Delta Modulation
DAC	Digital to Analogue Converter
dBm	Decibels relative to 1mW
DC	Direct Current
DFU	Device Firmware Upgrade
GCI	General Circuit Interface. Standard synchronous 2B+D ISDN timing interface
HCI	Host Controller Interface
Host	Application's microcontroller
Host Controller	Bluetooth integrated chip
HV	Header Value
ISDN	Integrated Services Digital Network
ISM	Industrial, Scientific and Medical
ksamples/s	kilosamples per second
L2CAP	Logical Link Control and Adaptation Protocol (protocol layer)
LC	Link Controller
LSB	Least-Significant Bit
p-law	Encoding standard
MISO	Master In Serial Out
OHCI	Open Host Controller Interface
PA	Power Amplifier
PCB	Printed Circuit Board
PCM	Pulse Code Modulation. Refers to digital voice data
PIO	Parallel Input Output
RAM	Random Access Memory
RF	Radio Frequency
RFCOMM	Protocol layer providing serial port emulation over L2CAP
RISC	Reduced Instruction Set Computer
RSSI	Receive Signal Strength Indication
RTS	Ready To Send
RX	Receive or Receiver
SCO	Synchronous Connection-Oriented. Voice oriented Bluetooth packet
SDP	Service Discovery Protocol
SIG	Special Interest Group
SPI	Serial Peripheral Interface
SPP	Serial Port Profile
TBD	To Be Defined
TX	Transmit or Transmitter
UART	Universal Asynchronous Receiver Transmitter
USB	Universal Serial Bus or Upper Side Band (depending on context)
VM	Virtual Machine
www	world wide web

Contact information

For support questions please contact your local dealer

For other purposes use: info@free2move.se

Website: www.free2move.se

Local dealer/distributor



The information given herein includes text, drawings, illustrations and schematics that are believed to be reliable. However, Free2move makes no warranties as to its accuracy or completeness and disclaims any liability in connection with its use. Free2move will in no case be liable for any incidental, indirect or consequential damages arising out of sale, resale, use or misuse of the product. Users of Free2move products should make their own evaluation to determine the suitability of each such product for the specific application.