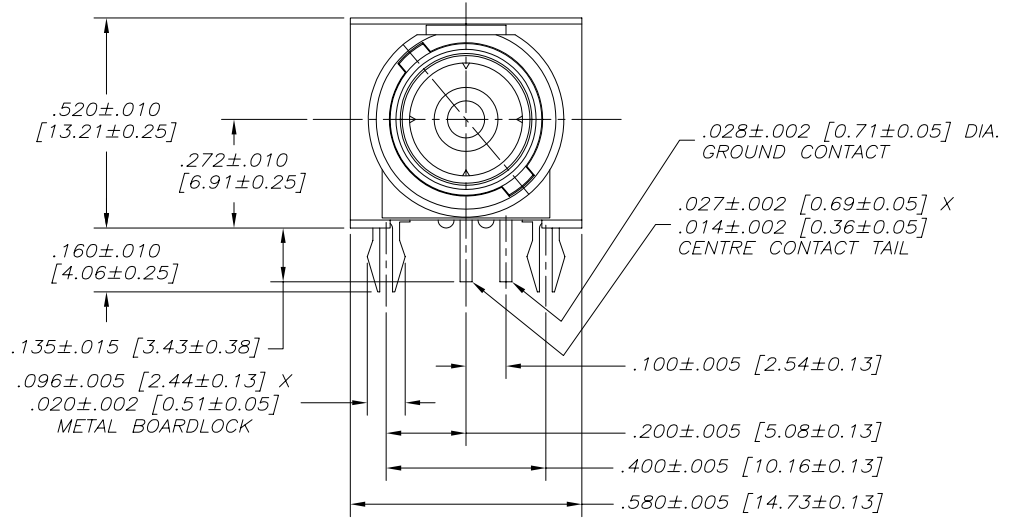
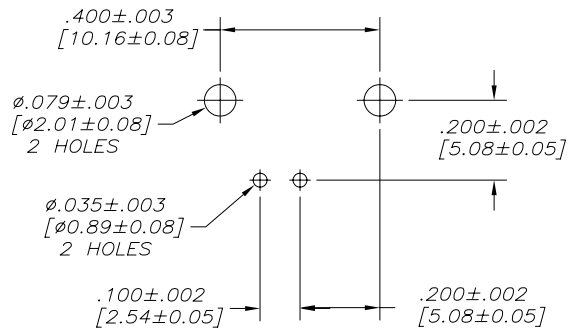


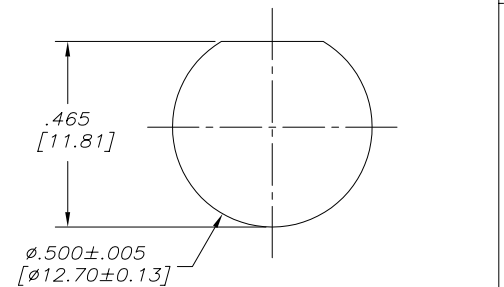
SIDE VIEW



FRONT VIEW



P.C.B. CONFIGURATION



RECOMMENDED PANEL CUT-OUT

MECHANICAL SPECIFICATION:

ALL MATERIALS ARE RoHS COMPLIANT PER EU DIRECTIVE 2002/95/EC AND AMENDMENTS

- BODY HOUSING** : THERMOPLASTIC POLYESTER
- CENTER CONTACT** : PHOSPHOR BRONZE, 10 MICRINCHES [0.25 MICRONS] GOLD PLATED OVER NICKEL ON MATING AREA AND TIN ON PCB TAILS.
- METAL BODY** : HIGH STRENGTH ZINC DIECAST NICKEL PLATED

ELECTRICAL SPECIFICATION:

DIELECTRIC WITHSTANDING VOLTAGE	1000 VDC
IMPEDANCE (SEE PART NUMBER)	50 OR 75 OHM NOMINAL
OPERATING TEMPERATURE	-20°C TO +85°C

NOTE: BOARDLOCKS ARE ELECTRICALLY CONNECTED TO THE METAL BODY.



AMPHENOL PART NO.	IMPEDANCE
456E-117NF	50 OHM
456E-717NF	75 OHM

DRAWN	K. LAMBIE	DATE	JUN18/07
CHECKED			
DESIGNED			
APPROVED			
INDUSTRIAL ENG. APPRD.			
ENGINEERING RELEASE NO.			
REF.	EAR 13136		
DIMENSIONS ARE IN	INCHES[mm]	CODE IDENT. NO.	03554

Amphenol Canada Corp.

456E SERIES B.N.C. CONNECTOR,
RIGHT ANGLE, NON-FILTERED,
RoHS COMPLIANT

DWG	DRAWING NO.	REV.
C	P-456E-X17NF	A
SCALE	4/1	WT. _____
SURF.	_____	SHEET 1 OF 1

THIS DOCUMENT CONTAINS PROPRIETARY INFORMATION AND SUCH INFORMATION MAY NOT BE DISCLOSED TO OTHERS FOR ANY PURPOSE OR USED FOR MANUFACTURING PURPOSES WITHOUT WRITTEN PERMISSION FROM AMPHENOL CANADA CORP.