

MODEL:

# SR4POST48HD

## 4-Post Heavy-Duty Open Frame Rack



48 Rack Units



3000 lb  
Stationary  
Load Capacity



3000 lb. Rolling  
Load Capacity  
(with Optional  
Casters)



EIA-  
310-D  
Standard 19-inch  
Rack Width



Toolless  
Mounting Slots



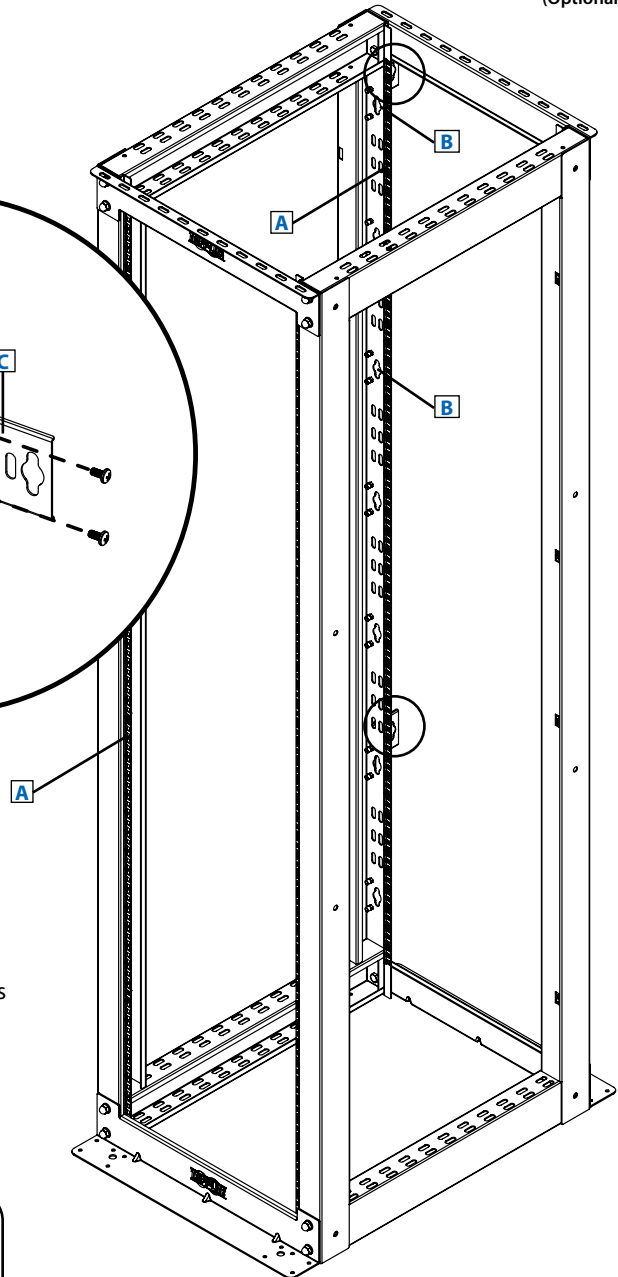
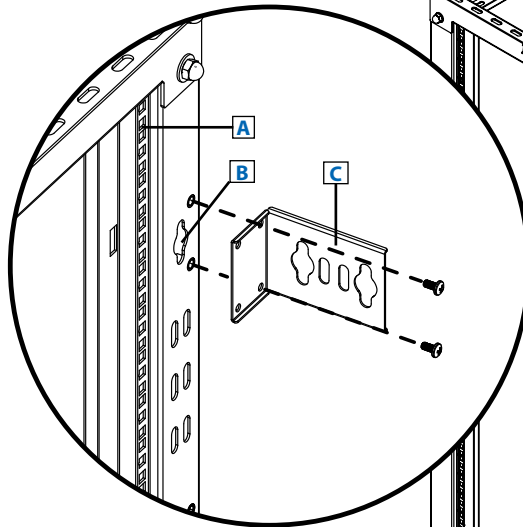
Square Hole  
Mounting



Side Panel  
Accessory  
(Optional)

- A** Numbered Square Mounting Holes
- B** Toolless Mounting Holes  
(for vertical PDUs or cable managers)
- C** PDU/Cable Management Brackets  
(optional, included)

Also Includes: Owner's Manual, installation hardware and (2) PDU/cable management brackets.



- Ships disassembled for easy transport and assembly in tight spaces
- Modular, self-squaring design optimized for quick configuration and reconfiguration
- Multiple units can be bolted together side by side
- Compatible with optional side panel kit (SR48SIDE4PHD) for end-row units
- Optional heavy-duty caster kit (SRCASTERHDKIT) permits mobile use with loads up to 3000 lb.

**SEE NEXT PAGE FOR DETAILED UNIT MEASUREMENTS**

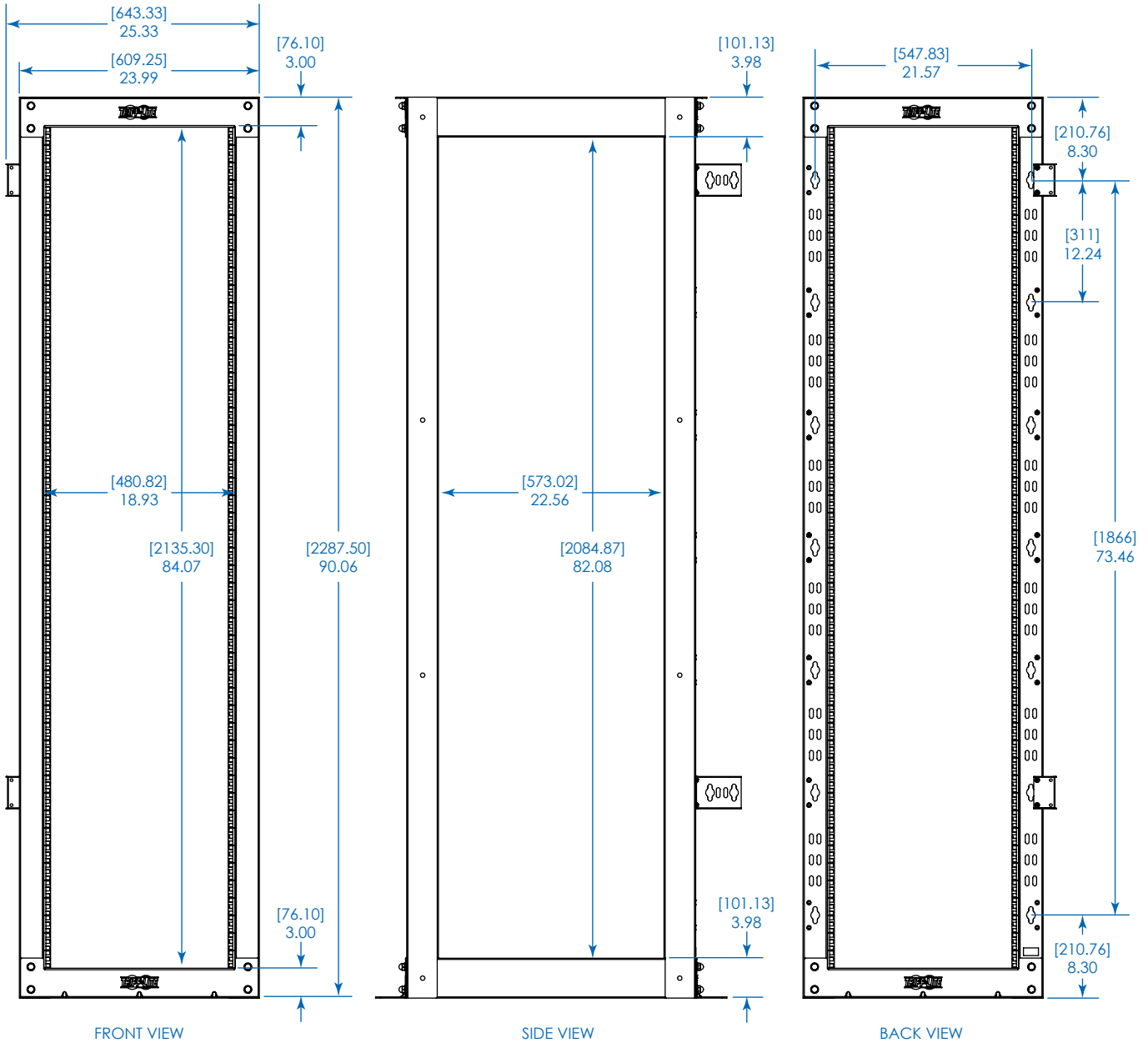
### Specifications

Model	SR4POST48HD
Rack Spaces	48U
Stationary Load Capacity	3000 lb. / 1350 kg
Rolling Load Capacity	3000 lb. / 1350 kg*
Unit Dimensions (H x W x D)	90 x 24 x 35.25 in. / 2286 x 610 x 895 mm
Shipping Dimensions (H x W x D)	6.75 x 9.5 x 93.75 in. / 172 x 241 x 2381 mm
Unit Weight	110 lb. / 49.5 kg
Shipping Weight	117 lb. / 52.7 kg
Standards	Tested to EIA-310-D, NOM (Mexico), IEC 60297-3-100, RoHS

\*Maximum rolling load capacity with SRCASTERHDKIT accessory.



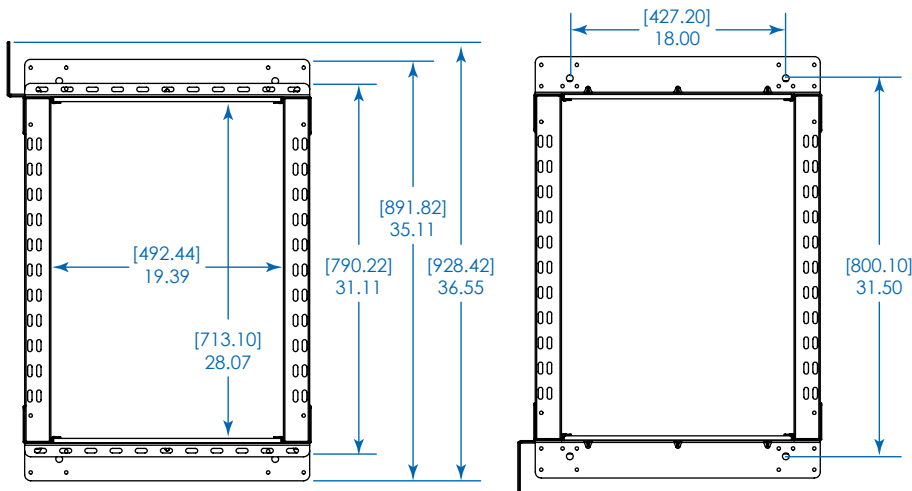
1111 W. 35th Street  
Chicago, IL 60609 USA  
773.869.1234  
www.tripplite.com



FRONT VIEW

SIDE VIEW

BACK VIEW



TOP VIEW

BOTTOM VIEW

Dimensions: [mm] INCHES

Tripp Lite has a policy of continuous improvement. Specifications are subject to change without notice.

MODEL:  
**SR4POST48HD**  
**TRIPP·LITE**

1111 W. 35th Street  
 Chicago, IL 60609 USA  
 773.869.1234

[www.tripp-lite.com](http://www.tripp-lite.com)