

PART NUMBER	REV	FIRST USED
567871-1	B	854040-4

TERMINAL NAME: RECEPTACLE						
AMP P/N	MFG P/N	VISIBLE PAD LTR	CRIMP DATA (NON-AMP TERM-CUST SPEC)	CRIMP HEIGHT	WIRE SIZE	
286760	JTP-2211-29		A	.044 ±.002 [1.12 ±0.05mm]	22	
			B	NOT	USED	
			C	NOT	USED	
			D	NOT	USED	
			CRIMP	SIZE	TYPE	RANGE
			WIRE	.076 [1.93mm]	F	22
			INSUL	.100 [2.54mm]	F	22
WIRE STRIP LENGTH	TERM APPL SPEC	FEED	APPL INSTRUCTION	SET UP GAGE	LAYOUT	
.203-.218	NONE	.600	SEE CUSTOMER MANUAL	NONE	L2148	

STANDARD FORCE CRIMP QUALITY MONITOR APPLICATOR
SIM TO HDM NONE

QTY	REV	DESCRIPTION	PART NO	ITEM NO
1	-	SCR, SET (6-32x.12) LIFT ARM	2-21010-7	67
1	-	SCR, BHC (6-32x.25) LEVER	1-21002-6	66
1	-	LEVER, SLIDE LOCK	856044-1	65
1	-	SCR, SHC (6-32x.50) LIFT ARM	2-21000-0	64
1	-	ARM, LIFT	856043-1	63
1	-	SCR, SHC (8-32x.38) EXT ARM	2-21000-6	62
1	-	ARM, EXTENSION	856042-1	61
1	-	SCR, SET (5/16x.38) CR BOLT	7-21013-3	57
REF	-	PAWL, FEED	694433-8	56
1	-	PLUG, NYLON	690191-1	45
1	-	SIDE FEED RAM ASSY	853493-4	44
1	-	WASHER, LAMINATED	690125-1	43
1	-	WASHER, RAM	690124-1	42
1	-	BOLT, CRIMPER (5/16x1.00)	7-21002-9	41
1	-	BALL, STEEL	23241-6	40
1	-	SPRING, COMPRESSION	690170-1	39
1	-	DISC, INSULATION	690142-1	38
1	-	WIRE DISC, PLASTIC	354777-1	37
1	-	WASHER, SPRING	22480-5	36
1	-	POST, RAM	856041-1	35
1	-	SUPPORT, TERMINAL	690786-1	34
1	-	PLATE, BASE SPECIAL	462544-1	33
1	-	SCREW, ADJUSTMENT	690432-3	32
1	-	BLOCK, SCREW SPECIAL	462543-1	31
1	-	BLOCK, STRIP GUIDE ADJ	455689-1	30
1	-	PLATE, STRIP GUIDE	458144-1	29
1	-	SPACER, FRONT SHEAR DEP	455888-9	28
2	-	SPRING, DRAG	1-22284-0	27
1	-	LEVER, DRAG RELEASE	240793-1	26
1	-	DRAG, TERMINAL	240792-1	25
1	-	GUIDE, STRIP (REAR)	1-90765-5	24
1	-	GUIDE, STRIP (FRONT)	690438-1	23
1	-	GUIDE, SCRAP	463756-1	21
1	-	STRIPPER	1-462615-0	19
1	-	JAW ASSY	904225-1	18
2	-	SCR, SHLD	1-21989-4	15
1	-	DEPRESSOR	904274-1	14
2	-	SPRING, DEPRESSOR	6-22281-3	13
1	-	SPRING, SHEAR	5-22280-0	12
1	-	STOP, SHEAR (FRONT)	1-690461-6	11
1	-	HOLDER, SHEAR (FRONT) SP	462548-1	10
1	-	SHEAR, FLOAT (FRONT) SP	462547-2	9
1	-	ANVIL	2-904132-7	8
1	-	DEPRESSOR, SHEAR (FRONT) SP	904273-1	5
1	-	SPACER, BLOCK CRIMPER	1-238011-0	4
1	-	CRIMPER, INSULATION	4-456134-5	3
1	-	SPACER, CRIMPER	1-455888-3	2
1	-	CRIMPER, WIRE	7-458141-1	1

QTY	REV	DESCRIPTION	PART NO	ITEM NO
2	-	PIN, WIRE DISC (.3210) C	4-354779-4	129
1	-	WASHER, FLAT PRECISION	986950-1	125
1	-	DOCUMENTATION PACKAGE	217238-4	124
1	-	PIN, SLT SPR (Ø.093x.75) ST 60E PL	4-21028-0	121
1	-	PLATE, SERIAL NO.	690701-2	120
2	-	WASHER, FLAT (#10) 5 G ADJ BLK	21899-2	119
2	-	WASHER, LOCK (#10) ADJ BLOCK	21024-5	118
2	-	WASHER, LOCK (#4) FRONT STP GUIDE	21024-2	114
REF	-	WASHER, LOCK (#8) FEED FINGER	21024-4	113
2	-	WASHER, LOCK (#8) DEP-HOLD	21024-4	112
REF	-	WASHER, LOCK (#8) STRIPPER	21024-4	111
1	-	NUT, HEX (#6) HOLD DOWN	21018-5	108
1	-	SCR, SHLD (Ø.187x.25) DRAG LEVER	22353-8	105
1	-	SCR, SKT 5ET (1/4-20x.25 LW) RAM	21009-2	103
4	-	SCR, DRIVE (#2x.19) ID PLATE	21017-2	101
1	-	PLATE, IDENTIFICATION	819347-1	100
2	-	SCR, BHC (10-32x.88) DRAG	3-21002-0	99
1	-	SCR, BHC (8-32x.38 LW) ANVIL	22733-8	98
1	-	SCR, SHC (10-32x.88) MOUNTING	3-21000-8	97
1	-	SCR, BHC (10-32x.50) 5G ADJ BLK	2-21002-7	95
6	-	SCR, BHC (8-32x.50) SHEAR-TERM SUP	2-21002-2	94
1	-	SCR, SHC (6-32x.50) CAM	1-21002-7	91
2	-	SCR, SHC (8-32x.50) SCR BLK	2-21000-7	90
2	-	SCR, SHC (8-32x.48) HOLD DOWN	2-21000-7	87
REF	-	SCR, HEX HD (8-32x.31) FEED FINGER	2-22603-0	86
2	-	SCR, SHC (4-40x.25) F ST GUIDE	1-21000-3	85
REF	-	SCR, BHC (8-32x.50 SL) STRIPPER	22733-9	84
1	-	SCR, HEX (10-32x.38) 5G ADJ BL	3-22603-1	81
2	-	BLADE, STRIPPING (#22)	463310-6	77
-	-	FFC LOOP ASSY	354440-3	76
1	-	SPRING, ASSIST	690603-1	74
1	-	SCR, SKT CAP (6-32x.25) CP DSC	23030-1	73
2	-	GASKET	853495-1	71

QTY	REV	DESCRIPTION	PART NO	ITEM NO
-1	U/M	DWG SIZE		

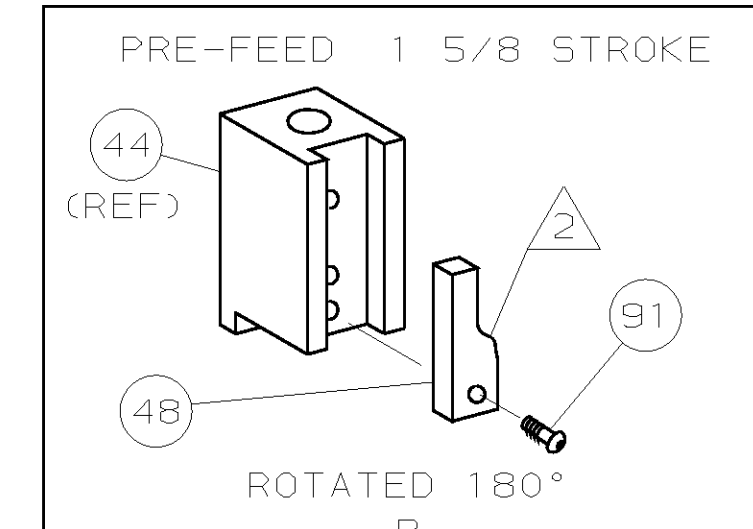
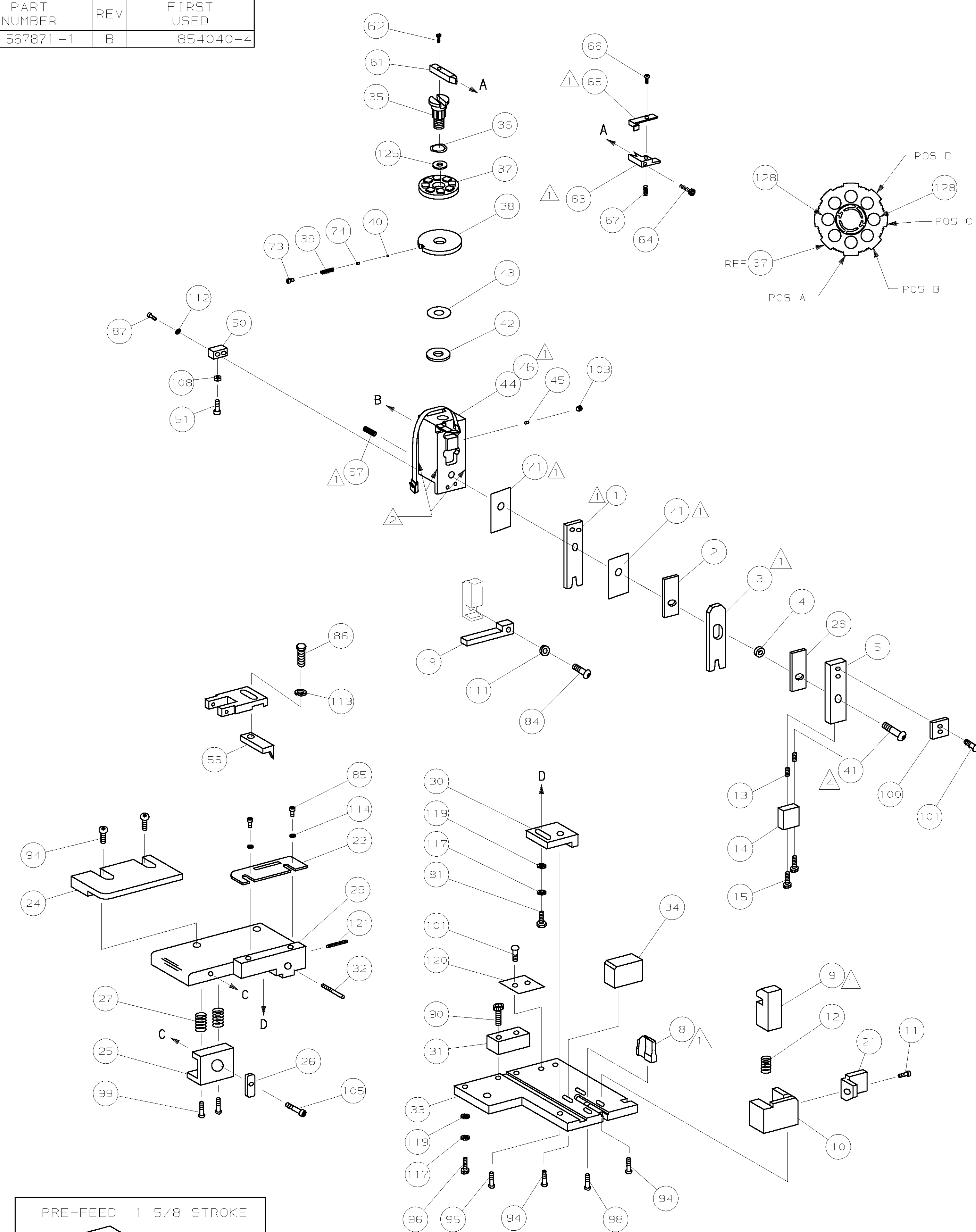
PARTS LIST			
BI	ECN 0150-0458-04	TE	4-04
B	0150-9584-99	TE	SEP99
A1	0150-9352-99	PM	5-99
A	REVISED	CE	1-99
P/F	LTR	REVISION RECORD	APP

DIMENSIONS IN INCHES. DO NOT SCALE PRINT. TOLERANCES UNLESS OTHERWISE SPECIFIED:			
DR	W.HOOVER	APP	T.ELBIN
CHK	C.ERISMAN	REL	
NAME	COM STRIPPER CRIMPER APPLICATOR		
SCALE	DWG NO	567871	SHEET 1 OF 1
CASE CODE	CUSTOMER AND ASSEMBLY DRAWING		

THIS DRAWING IS A CONTROLLED DOCUMENT.

RELEASED FOR PUBLICATION JAN 10, 1999 BY AMP INCORPORATED. ALL RIGHTS RESERVED.

LOC A
DTST 66



- 1 RECOMMENDED SPARE PARTS.
- 2 GREASE LIGHTLY.
- 3 ITEM NOT SHOWN
- 4 TORQUE ITEM 41 TO 60 INCH POUNDS
- 5 TO BE DETERMINED AT ASSY.
- 6 CUT TO LENGTH AT ASSY.
- 7. ON THE STRIPPER CRIMPER MACHINE, POSITION THE FRONT METAL GUARD ON THE FRONT SIDE OF THE LEXAN DOOR