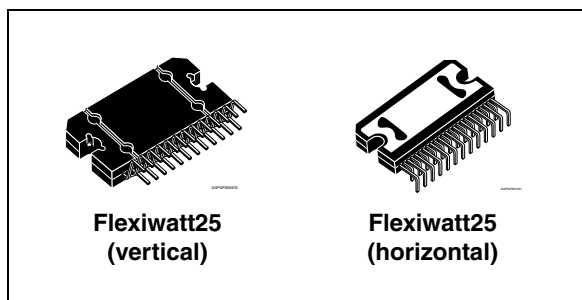


4 x 51 W quad bridge car radio amplifier

Datasheet – production data

Features

- Superior output power capability:
 - 4 x 51 W/4 Ω max.
 - 4 x 45 W/4 Ω EIAJ
 - 4 x 30 W/4 Ω @ 14.4 V, 1 kHz, 10 %
 - 4 x 80 W/2 Ω max.
 - 4 x 77 W/2 Ω EIAJ
 - 4 x 55 W/2 Ω @ 14.4 V, 1 kHz, 10 %
- Multipower BCD technology
- MOSFET output power stage
- Excellent 2 Ω driving capability
- Hi-Fi class distortion
- Low output noise
- Standby function
- Mute function
- Automute at min. supply voltage detection
- Low external component count:
 - Internally fixed gain (26 dB)
 - No external compensation
 - No bootstrap capacitors
- On board 0.35 A high side driver
- Protections:
 - Output short circuit to GND, to V_S , across the load
 - Very inductive loads



- Overrating chip temperature with soft thermal limiter
- Output DC offset detection
- Load dump voltage
- Fortuitous open GND
- Reversed battery
- ESD

Description

The TDA7560 is a breakthrough BCD (Bipolar / CMOS / DMOS) technology class AB audio power amplifier in Flexiwatt 25 package designed for high power car radio.

The fully complementary P-Channel/N-Channel output structure allows a rail to rail output voltage swing which, combined with high output current and minimized saturation losses sets new power references in the car-radio field, with unparalleled distortion performances.

Table 1. Device summary

Order code	Package	Packing
TDA7560	Flexiwatt25 (vertical)	Tube
TDA7560H	Flexiwatt25 (horizontal)	Tube

Contents

- 1 Block and pin connection diagram 5**

- 2 Electrical specifications 6**
 - 2.1 Absolute maximum ratings 6
 - 2.2 Thermal data 6
 - 2.3 Electrical characteristics 6
 - 2.4 Standard test and application circuit, and PCB layout 8
 - 2.5 Electrical characteristics curves 10

- 3 Application hints 13**
 - 3.1 SVR 13
 - 3.2 Input stage 13
 - 3.3 Standby and muting 13
 - 3.4 DC offset detector 13
 - 3.5 Heatsink definition 13

- 4 Package information 14**

- 5 Revision history 16**

List of tables

Table 1.	Device summary	1
Table 2.	Absolute maximum ratings	6
Table 3.	Thermal data	6
Table 4.	Electrical characteristics	6
Table 5.	Document revision history	16

List of figures

Figure 1.	Block diagram	5
Figure 2.	Pins connection (top view)	5
Figure 3.	Standard test and application circuit.	8
Figure 4.	PCB and component layout of the Figure 3	9
Figure 5.	Quiescent current vs. supply voltage	10
Figure 6.	Output power vs. supply voltage ($R_L = 4\Omega$)	10
Figure 7.	Output power vs. supply voltage ($R_L = 2\Omega$)	10
Figure 8.	Distortion vs. output power ($R_L = 4\Omega$)	10
Figure 9.	Distortion vs. output power ($R_L = 2\Omega$)	10
Figure 10.	Distortion vs. frequency ($R_L = 4\Omega$)	10
Figure 11.	Distortion vs. frequency ($R_L = 2\Omega$)	11
Figure 12.	Crosstalk vs. frequency	11
Figure 13.	Supply voltage rejection vs. frequency	11
Figure 14.	Output attenuation vs. supply voltage.	11
Figure 15.	Output noise vs. source resistance.	11
Figure 16.	Power dissipation and efficiency vs. output power (sine-wave operation)	11
Figure 17.	Power dissipation vs. output power (music/speech simulation); $R_L = 4 \times 4\Omega$	12
Figure 18.	Power dissipation vs. output power (music/speech simulation); $R_L = 4 \times 2\Omega$	12
Figure 19.	ITU R-ARM frequency response, weighting filter for transient pop.	12
Figure 20.	Flexiwatt25 (vertical) mechanical data and package dimensions.	14
Figure 21.	Flexiwatt25 (horizontal) mechanical data and package dimensions.	15

1 Block and pin connection diagram

Figure 1. Block diagram

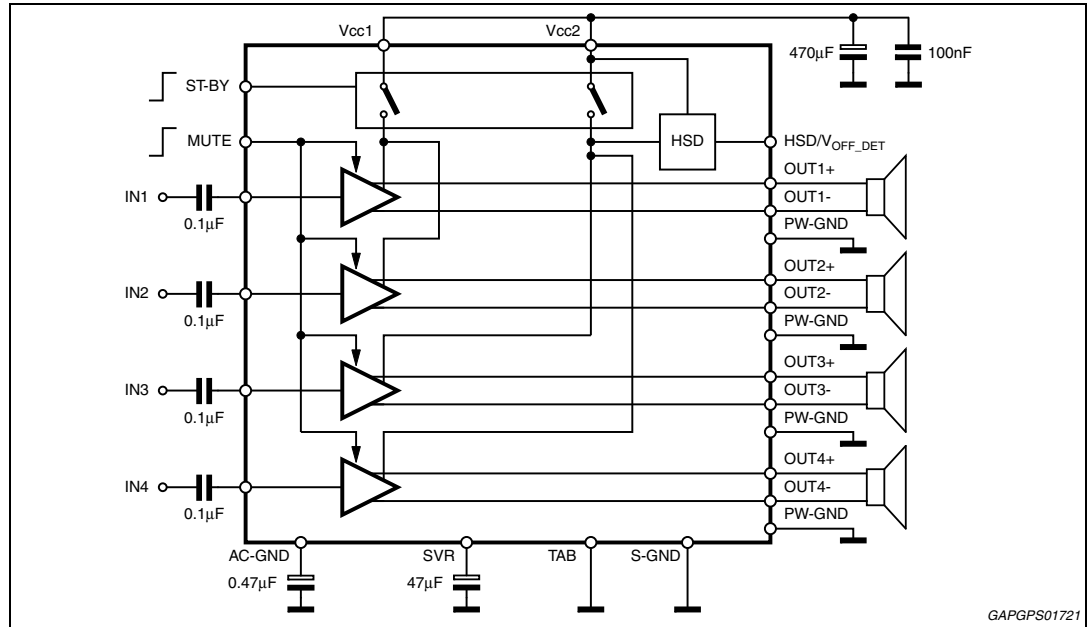
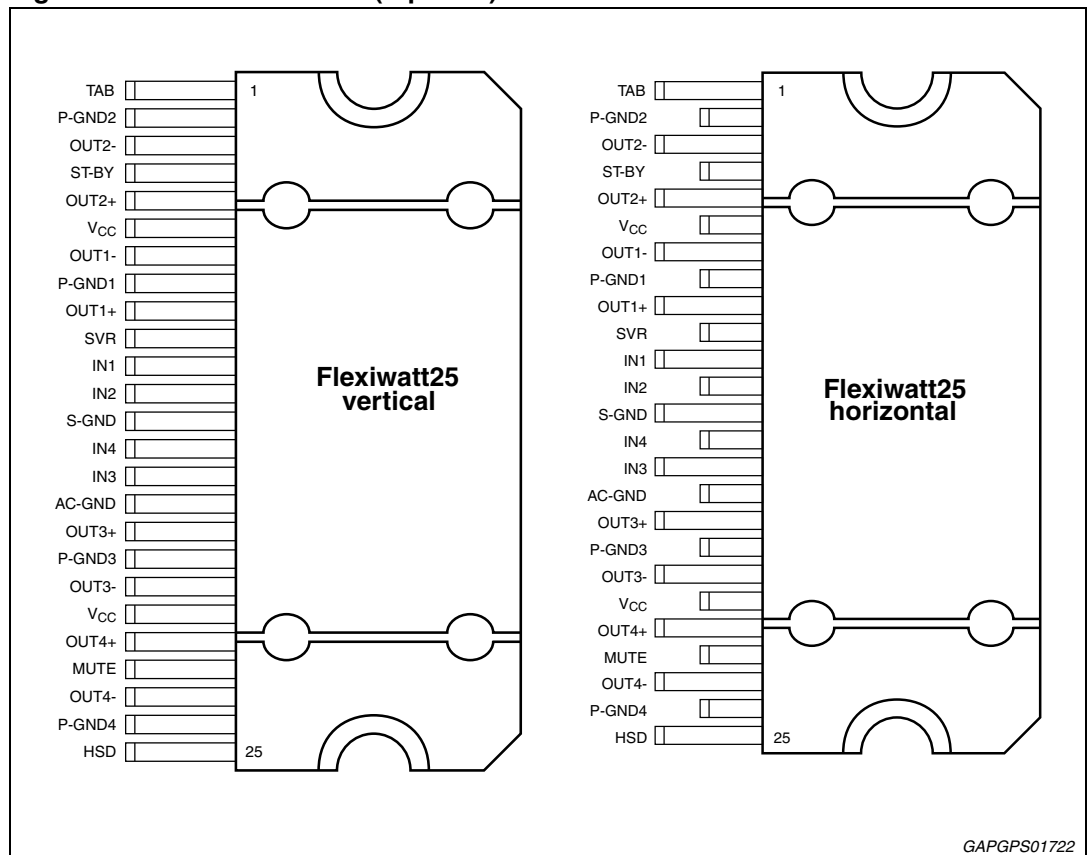


Figure 2. Pins connection (top view)



2 Electrical specifications

2.1 Absolute maximum ratings

Table 2. Absolute maximum ratings

Symbol	Parameter	Value	Unit
V_{CC}	Operating supply voltage	18	V
$V_{CC(DC)}$	DC supply voltage	28	V
$V_{CC(pk)}$	Peak supply voltage (for $t = 50$ ms)	50	V
I_O	Output peak current	9	A
	Repetitive (duty cycle 10 % at $f = 10$ Hz) Non repetitive ($t = 100$ μ s)	10	A
P_{tot}	Power dissipation $T_{case} = 70$ °C	80	W
T_j	Junction temperature	150	°C
T_{stg}	Storage temperature	-55 to 150	°C

2.2 Thermal data

Table 3. Thermal data

Symbol	Parameter	Value	Unit
$R_{th\ j-case}$	Thermal resistance junction-to-case	Max. 1	°C/W

2.3 Electrical characteristics

Refer to the test and application diagram, $V_S = 14.4$ V; $R_L = 4$ Ω ; $R_g = 600$ Ω ; $f = 1$ kHz; $T_{amb} = 25$ °C; unless otherwise specified.

Table 4. Electrical characteristics

Symbol	Parameter	Test condition	Min.	Typ.	Max.	Unit
I_{q1}	Quiescent current	$R_L = \infty$	80	200	320	mA
V_{OS}	Output offset voltage	Play Mode	-	-	± 50	mV
dV_{OS}	During mute ON/OFF output offset voltage	-	-	-	± 60	mV
G_v	Voltage gain	-	25	26	27	dB
dG_v	Channel gain unbalance	-	-	-	± 1	dB
P_o	Output power	$V_S = 13.2$ V; THD = 10 %	23	25	-	W
		$V_S = 13.2$ V; THD = 1 %	16	19	-	
		$V_S = 14.4$ V; THD = 10 %	28	30	-	
		$V_S = 14.4$ V; THD = 1 %	20	23	-	

Table 4. Electrical characteristics (continued)

Symbol	Parameter	Test condition	Min.	Typ.	Max.	Unit
P_O	Output power	$V_S = 13.2\text{ V}; \text{THD} = 10\%, 2\ \Omega$	42	45	-	W
		$V_S = 13.2\text{ V}; \text{THD} = 1\%, 2\ \Omega$	32	34		
		$V_S = 14.4\text{ V}; \text{THD} = 10\%, 2\ \Omega$	50	55		
		$V_S = 14.4\text{ V}; \text{THD} = 1\%, 2\ \Omega$	40	43		
$P_{O\text{ EIAJ}}$	EIAJ output power ⁽¹⁾	$V_S = 13.7\text{ V}; R_L = 4\ \Omega$ $V_S = 13.7\text{ V}; R_L = 2\ \Omega$	41 72	45 77	-	W
$P_{O\text{ max.}}$	Max. output power ⁽¹⁾	$V_S = 14.4\text{ V}; R_L = 4\ \Omega$ $V_S = 14.4\text{ V}; R_L = 2\ \Omega$ $V_S = 15.2\text{ V}; R_L = 4\ \Omega$	43 75	50 80 51	-	W
THD	Distortion	$P_O = 4\text{ W}$ $P_O = 15\text{ W}; R_L = 2\ \Omega$	-	0.006 0.015	0.02 0.03	%
e_{No}	Output noise	"A" Weighted Bw = 20 Hz to 20 kHz	-	35 50	50 70	μV
SVR	Supply voltage rejection	$f = 100\text{ Hz}; V_r = 1\text{ V}_{rms}$	50	70	-	dB
f_{ch}	High cut-off frequency	$P_O = 0.5\text{ W}$	100	300	-	kHz
R_i	Input impedance		80	100	120	$\text{K}\Omega$
C_T	Cross talk	$f = 1\text{ kHz } P_O = 4\text{ W}$	60	70	-	dB
		$f = 10\text{ kHz } P_O = 4\text{ W}$	50	60		
I_{SB}	Standby current consumption	$V_{ST-BY} = 1.5\text{ V}$	-	-	20	μA
		$V_{ST-BY} = 0\text{ V}$	-	-	10	
I_{pin5}	Standby pin current	$V_{ST-BY} = 1.5\text{ V to } 3.5\text{ V}$	-	-	± 10	μA
$V_{SB\text{ out}}$	Standby out threshold voltage	(Amp: ON)	3.5	-	-	V
$V_{SB\text{ in}}$	Standby in threshold voltage	(Amp: OFF)	-	-	1.5	V
A_M	Mute attenuation	$P_{Oref} = 4\text{ W}$	80	90	-	dB
$V_{M\text{ out}}$	Mute out threshold voltage	(Amp: Play)	3.5	-	-	V
$V_{M\text{ in}}$	Mute in threshold voltage	(Amp: Mute)	-	-	1.5	V
$V_{AM\text{ in}}$	VS automute threshold	(Amp: Mute) $Att \geq 80\text{ dB}; P_{Oref} = 4\text{ W}$	6.5	7	8	V
		(Amp: Play) $Att < 0.1\text{ dB}; P_O = 0.5\text{ W}$		7.5		
I_{pin22}	Muting pin current	$V_{MUTE} = 1.5\text{ V}$ (Sourced current)	7	12	18	μA
		$V_{MUTE} = 3.5\text{ V}$	-5	-	18	μA
HSD section						
$V_{dropout}$	Dropout voltage	$I_O = 0.35\text{ A}; V_S = 9\text{ to } 16\text{ V}$	-	0.25	0.6	V
I_{prot}	Current limits	-	400	-	800	mA

Table 4. Electrical characteristics (continued)

Symbol	Parameter	Test condition	Min.	Typ.	Max.	Unit
Offset detector (Pin 25)						
V_{M_ON}	Mute voltage for DC offset detection enabled	$V_{ST-BY} = 5\text{ V}$	8	-	-	V
V_{M_OFF}			-	-	6	V
V_{OFF}	Detected differential output offset	$V_{ST-BY} = 5\text{ V}; V_{mute} = 8\text{ V}$	± 2	± 3	± 4	V
V_{25_T}	Pin 25 voltage for detection = True	$V_{ST-BY} = 5\text{ V}; V_{mute} = 8\text{ V}$ $V_{OFF} > \pm 4\text{ V}$	0	-	1.5	V
V_{25_F}	Pin 25 voltage for detection = False	$V_{ST-BY} = 5\text{ V}; V_{mute} = 8\text{ V}$ $V_{OFF} > \pm 2\text{ V}$	12	-	-	V

1. Saturated square wave output.

2.4 Standard test and application circuit, and PCB layout

Figure 3. Standard test and application circuit

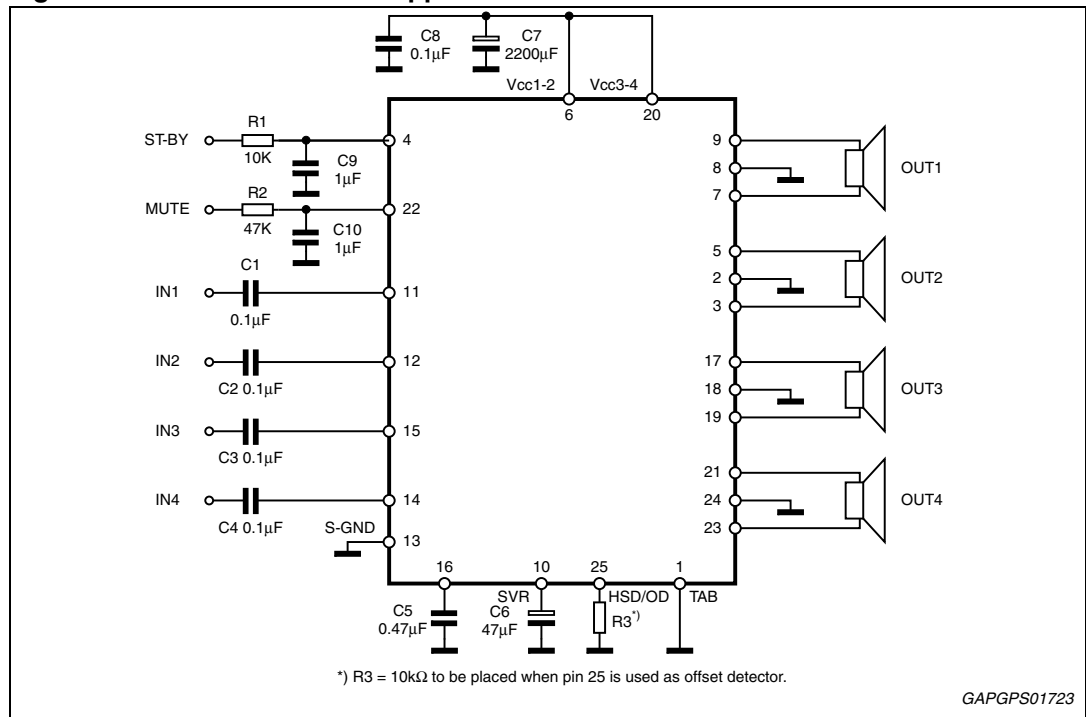
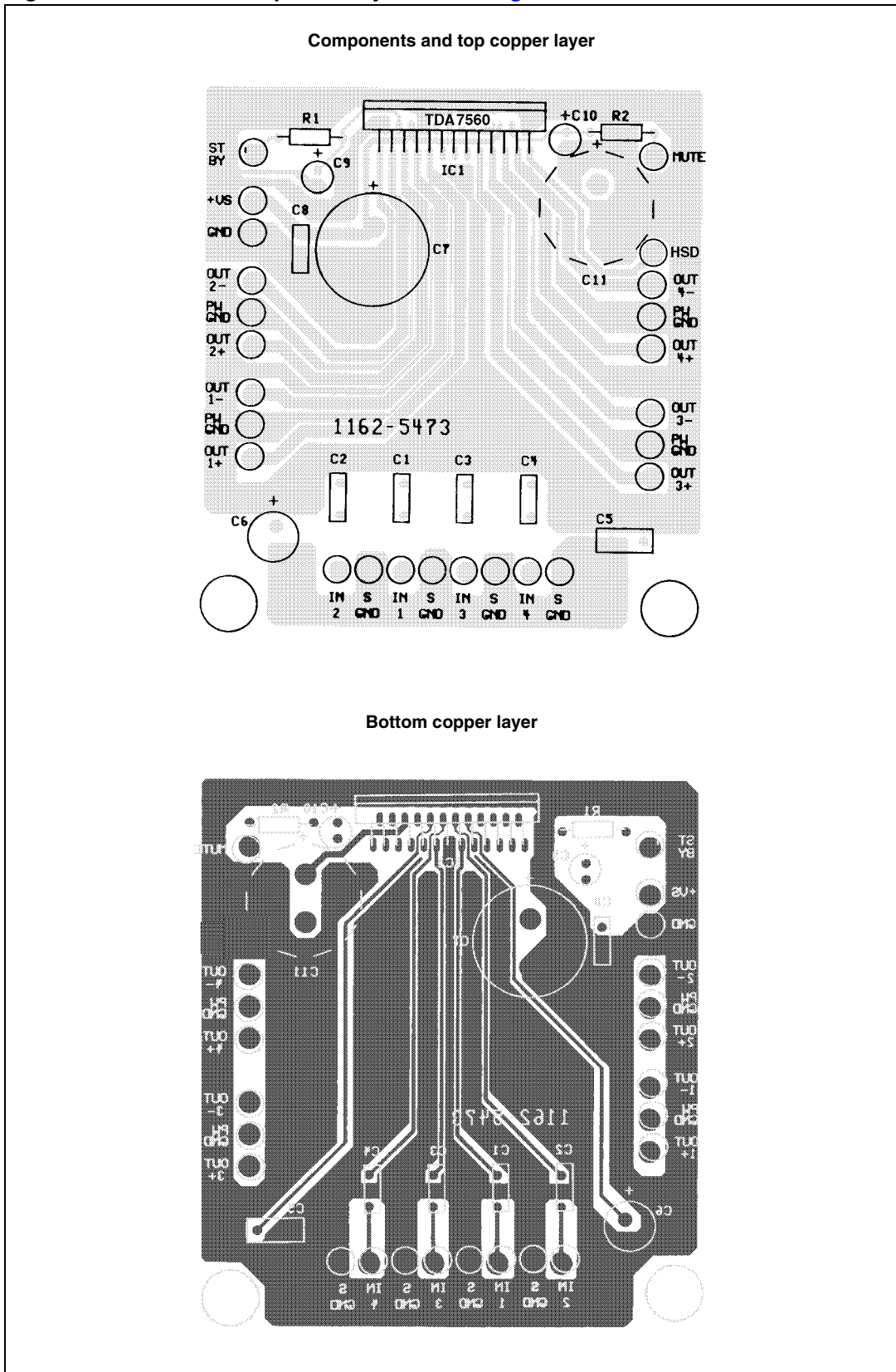


Figure 4. PCB and component layout of the [Figure 3](#).



2.5 Electrical characteristics curves

Figure 5. Quiescent current vs. supply voltage

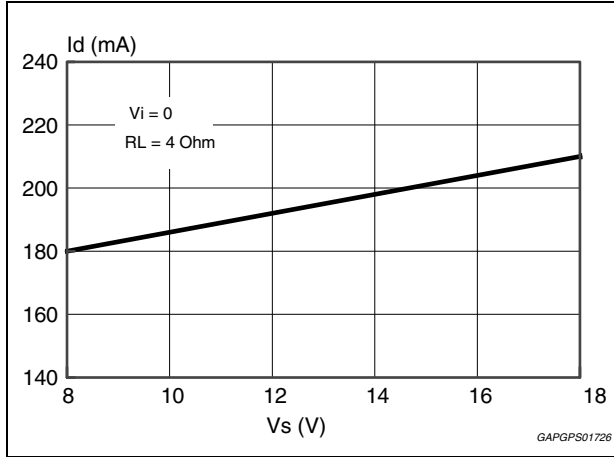


Figure 6. Output power vs. supply voltage ($R_L = 4\Omega$)

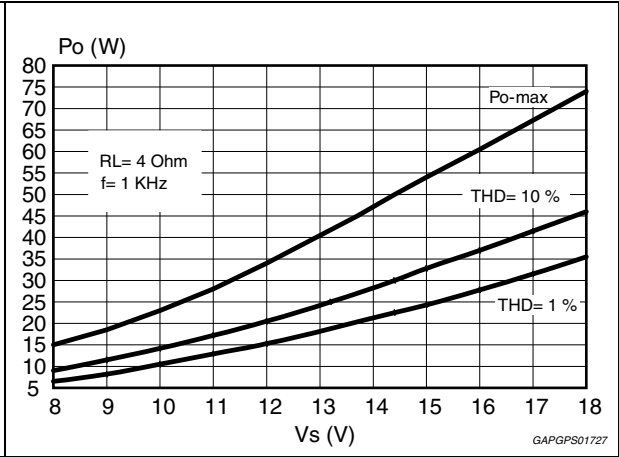


Figure 7. Output power vs. supply voltage ($R_L = 2\Omega$)

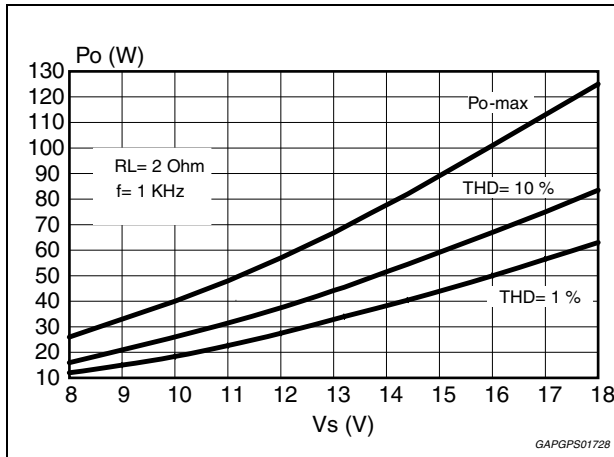


Figure 8. Distortion vs. output power ($R_L = 4\Omega$)

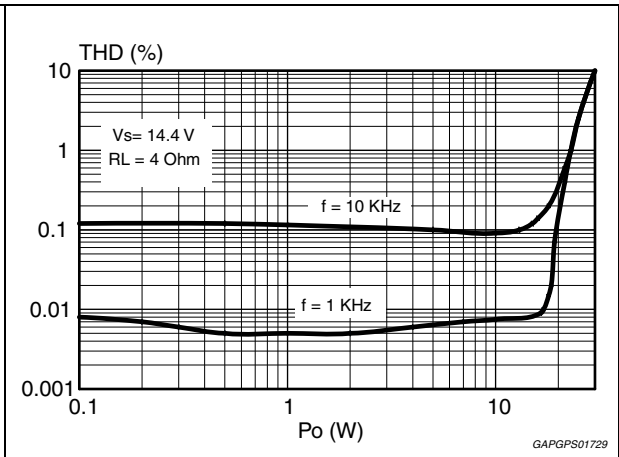


Figure 9. Distortion vs. output power ($R_L = 2\Omega$)

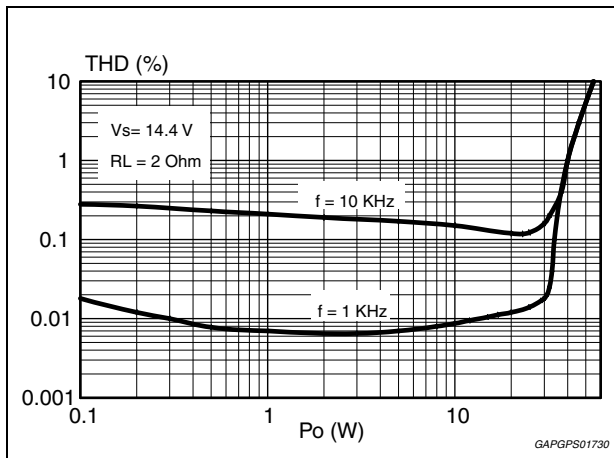


Figure 10. Distortion vs. frequency ($R_L = 4\Omega$)

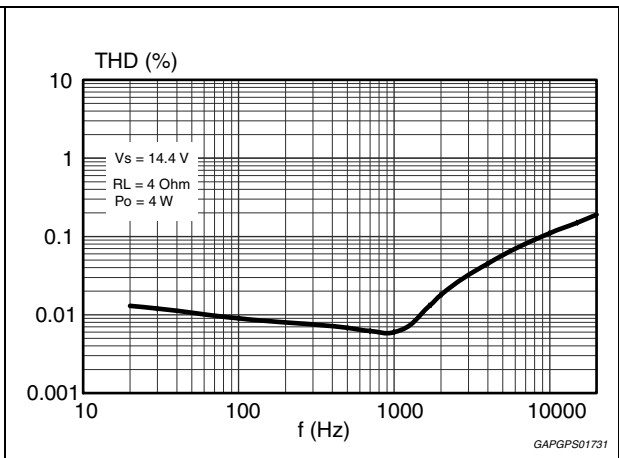


Figure 11. Distortion vs. frequency ($R_L = 2\Omega$)

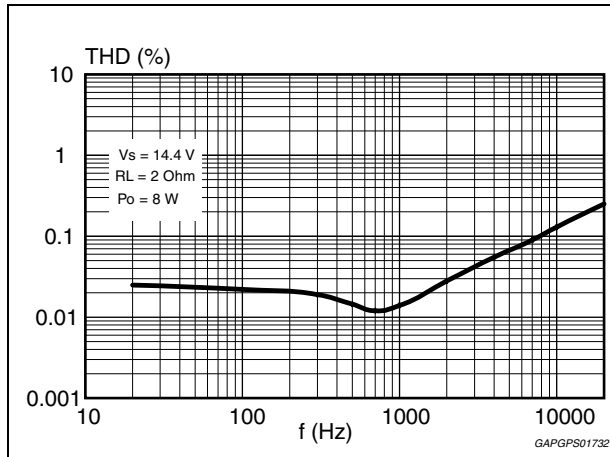


Figure 12. Crosstalk vs. frequency

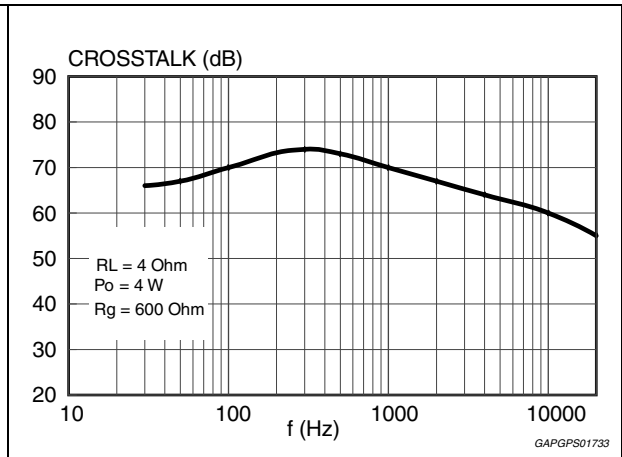


Figure 13. Supply voltage rejection vs. frequency

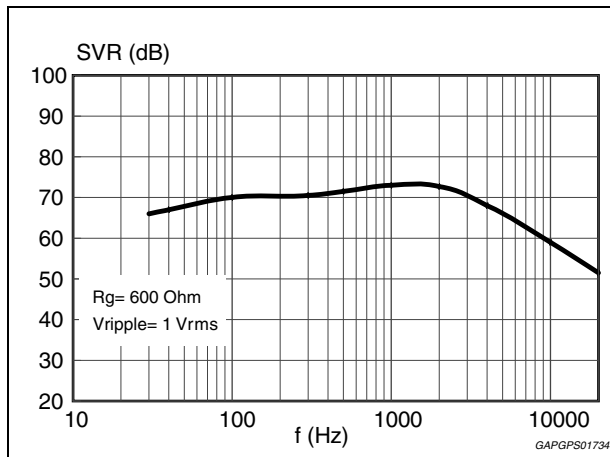


Figure 14. Output attenuation vs. supply voltage

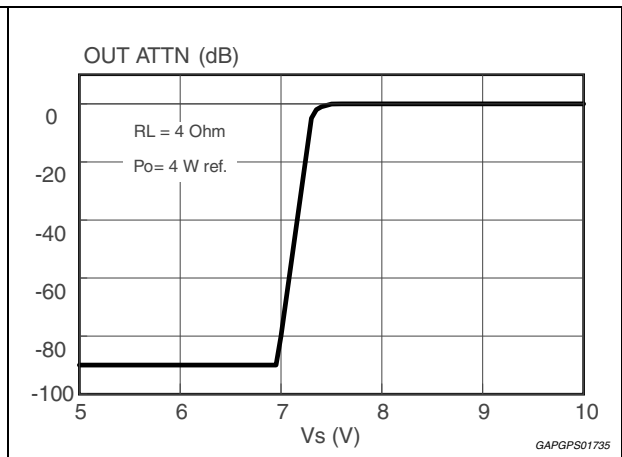


Figure 15. Output noise vs. source resistance

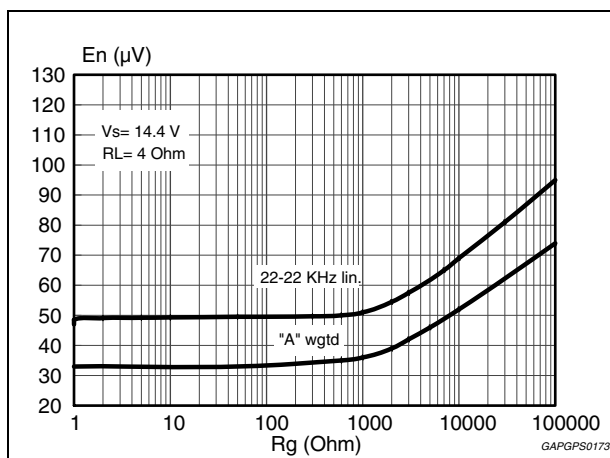


Figure 16. Power dissipation and efficiency vs. output power (sine-wave operation)

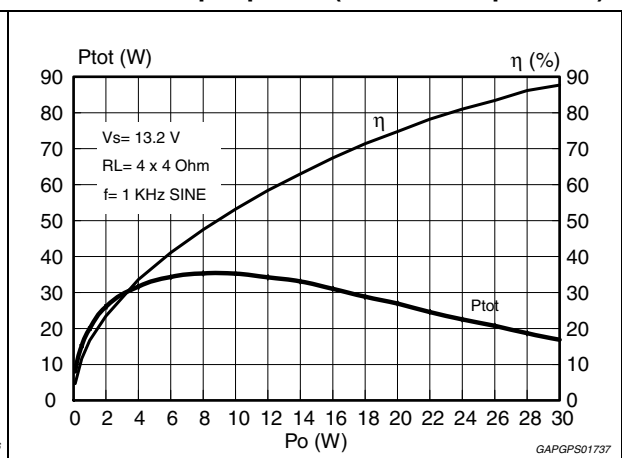


Figure 17. Power dissipation vs. output power (music/speech simulation);
 $R_L = 4 \times 4\Omega$

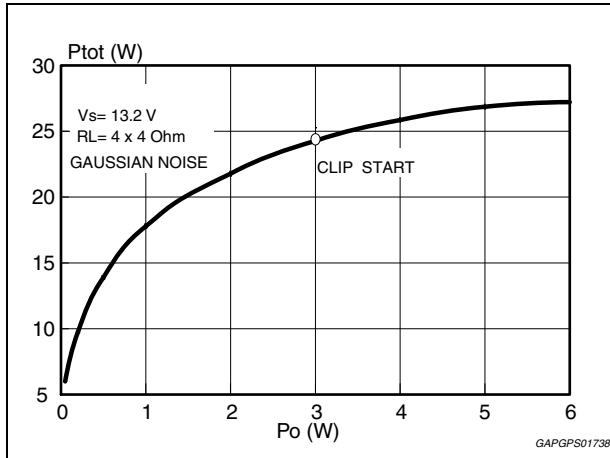


Figure 18. Power dissipation vs. output power (music/speech simulation);
 $R_L = 4 \times 2\Omega$

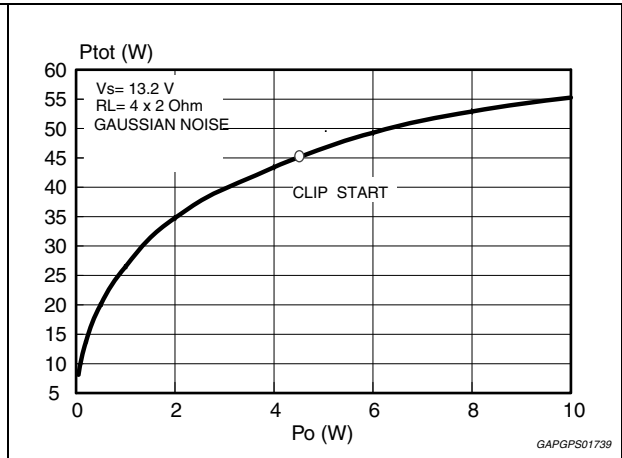
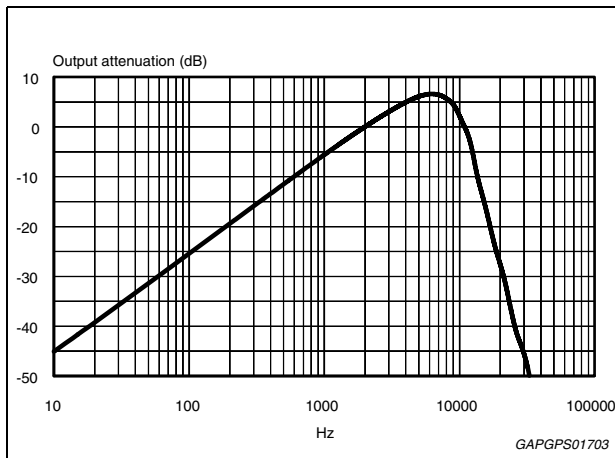


Figure 19. ITU R-ARM frequency response, weighting filter for transient pop



3 Application hints

(ref. to the circuit of [Figure 3](#))

3.1 SVR

Besides its contribution to the ripple rejection, the SVR capacitor governs the turn ON/OFF time sequence and, consequently, plays an essential role in the pop optimization during ON/OFF transients. To conveniently serve both needs, **ITS MINIMUM RECOMMENDED VALUE IS 10 μ F**.

3.2 Input stage

The TDA7560's inputs are ground-compatible and can stand very high input signals (± 8 Vpk) without any performances degradation. If the standard value for the input capacitors (0.1 μ F) is adopted, the low frequency cut-off will amount to 16 Hz.

3.3 Standby and muting

Standby and Muting facilities are both CMOS-compatible. In absence of true CMOS ports or microprocessors, a direct connection to V_s of these two pins is admissible but a 470 kOhm equivalent resistance should be present between the power supply and the muting and ST-BY pins.

R-C cells have always to be used in order to smooth down the transitions for preventing any audible transient noises.

About the standby, the time constant to be assigned in order to obtain a virtually pop-free transition has to be slower than 2.5 V/ms.

3.4 DC offset detector

The TDA7560 integrates a DC offset detector to avoid that an anomalous DC offset on the inputs of the amplifier may be multiplied by the gain and result in a dangerous large offset on the outputs which may lead to speakers damage for overheating. The feature is enabled by the MUTE pin (according to [Table 4](#)) and works with the amplifier unmuted and with no signal on the inputs.

The DC offset detection is signaled out on the HSD pin. To ensure the correct functionality of the Offset Detector it is necessary to connect a pulldown 10 k Ω resistor between HSD and ground.

3.5 Heatsink definition

Under normal usage (4 Ohm speakers) the heatsink's thermal requirements have to be deduced from [Figure 17](#), which reports the simulated power dissipation when real music/speech programmes are played out. Noise with gaussian-distributed amplitude was employed for this simulation. Based on that, frequent clipping occurrence (worst-case) will cause $P_{diss} = 26$ W. Assuming $T_{amb} = 70$ °C and $T_{CHIP} = 150$ °C as boundary conditions, the heatsink's thermal resistance should be approximately 2 °C/W. This would avoid any thermal shutdown occurrence even after long-term and full-volume operation

4 Package information

In order to meet environmental requirements, ST offers these devices in different grades of ECOPACK® packages, depending on their level of environmental compliance. ECOPACK® specifications, grade definitions and product status are available at: www.st.com.

ECOPACK® is an ST trademark.

Figure 20. Flexiwatt25 (vertical) mechanical data and package dimensions

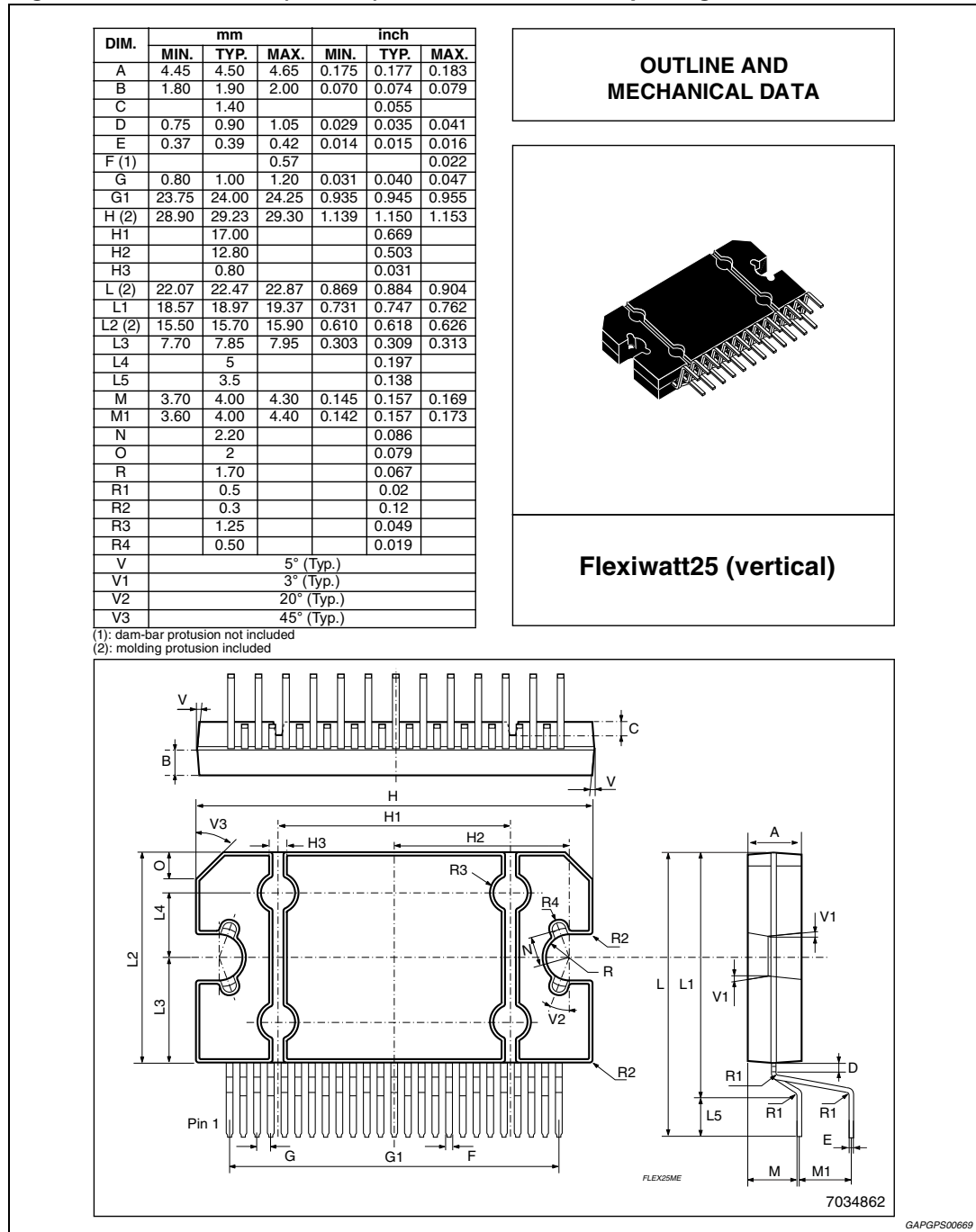
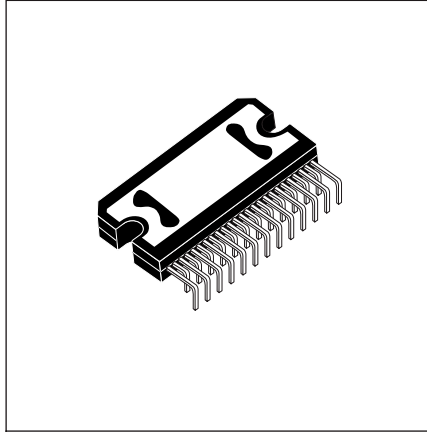


Figure 21. Flexiwatt25 (horizontal) mechanical data and package dimensions

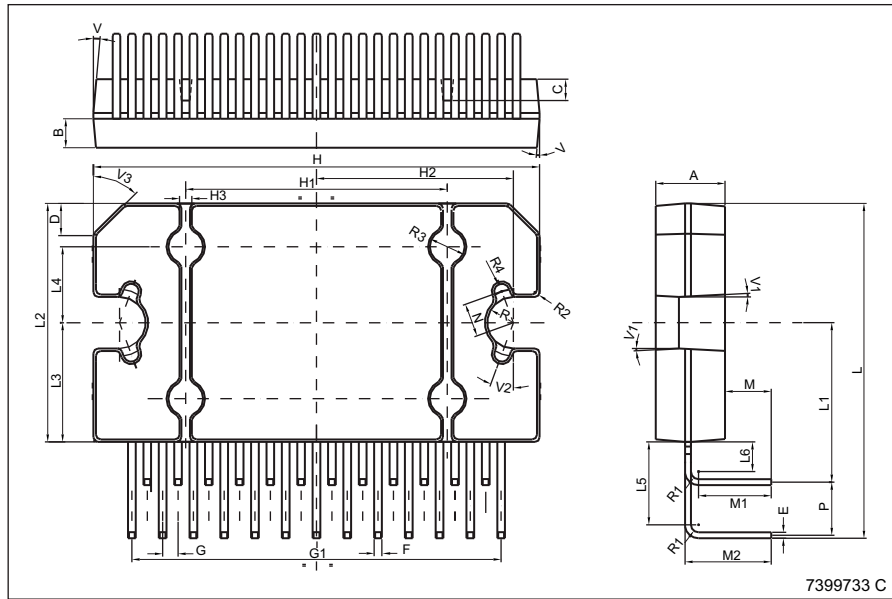
DIM.	mm			inch		
	MIN.	TYP.	MAX.	MIN.	TYP.	MAX.
A	4.45	4.50	4.65	0.175	0.177	0.183
B	1.80	1.90	2.00	0.070	0.074	0.079
C		1.40			0.055	
D		2.00			0.079	
E	0.37	0.39	0.42	0.014	0.015	0.016
F ⁽¹⁾			0.57			0.022
G	0.75	1.00	1.25	0.029	0.040	0.049
G1	23.70	24.00	24.30	0.933	0.945	0.957
H ⁽²⁾	28.90	29.23	29.30	1.139	1.150	1.153
H1		17.00			0.669	
H2		12.80			0.503	
H3		0.80			0.031	
L ⁽²⁾	21.64	22.04	22.44	0.852	0.868	0.883
L1	10.15	10.5	10.85	0.40	0.413	0.427
L2 ⁽²⁾	15.50	15.70	15.90	0.610	0.618	0.626
L3	7.70	7.85	7.95	0.303	0.309	0.313
L4		5			0.197	
L5	5.15	5.45	5.85	0.203	0.214	0.23
L6	1.80	1.95	2.10	0.070	0.077	0.083
M	2.75	3.00	3.50	0.108	0.118	0.138
M1		4.73			0.186	
M2		5.61			0.220	
N		2.20			0.086	
P	3.20	3.50	3.80	0.126	0.138	0.15
R		1.70			0.067	
R1		0.50			0.02	
R2		0.30			0.12	
R3		1.25			0.049	
R4		0.50			0.02	
V	5° (Typ.)					
V1	3° (Typ.)					
V2	20° (Typ.)					
V3	45° (Typ.)					

OUTLINE AND MECHANICAL DATA



Flexiwatt25 (Horizontal)

(1): Dam-bar protusion not included; (2): Molding protusion included.



7399733 C

GAPGPS01239

5 Revision history

Table 5. Document revision history

Date	Revision	Changes
20-Dec-2001	1	Initial release.
10-Feb-2005	2	Improved value from 75 to 20mA of the “standby current consumption” parameter in the Table 4: Electrical characteristics on page 6 .
18-Sep-2008	3	Document reformatted. Added new order code in Flexiwatt25 horizontal package. Updated Figure 3: Standard test and application circuit . Updated Table 4: Electrical characteristics . Updated Section 3.4: DC offset detector and Section 3.3: Standby and muting . Added Figure 19: ITU R-ARM frequency response, weighting filter for transient pop .
07-Nov-2008	4	Modified max. values of the V_{OS} and THD parameter in Table 4: Electrical characteristics .
11-Sep-2012	5	Updated Features on page 1 ; Updated Section 2.3: Electrical characteristics .
16-Sep-2013	6	Updated Disclaimer.

Please Read Carefully:

Information in this document is provided solely in connection with ST products. STMicroelectronics NV and its subsidiaries ("ST") reserve the right to make changes, corrections, modifications or improvements, to this document, and the products and services described herein at any time, without notice.

All ST products are sold pursuant to ST's terms and conditions of sale.

Purchasers are solely responsible for the choice, selection and use of the ST products and services described herein, and ST assumes no liability whatsoever relating to the choice, selection or use of the ST products and services described herein.

No license, express or implied, by estoppel or otherwise, to any intellectual property rights is granted under this document. If any part of this document refers to any third party products or services it shall not be deemed a license grant by ST for the use of such third party products or services, or any intellectual property contained therein or considered as a warranty covering the use in any manner whatsoever of such third party products or services or any intellectual property contained therein.

UNLESS OTHERWISE SET FORTH IN ST'S TERMS AND CONDITIONS OF SALE ST DISCLAIMS ANY EXPRESS OR IMPLIED WARRANTY WITH RESPECT TO THE USE AND/OR SALE OF ST PRODUCTS INCLUDING WITHOUT LIMITATION IMPLIED WARRANTIES OF MERCHANTABILITY, FITNESS FOR A PARTICULAR PURPOSE (AND THEIR EQUIVALENTS UNDER THE LAWS OF ANY JURISDICTION), OR INFRINGEMENT OF ANY PATENT, COPYRIGHT OR OTHER INTELLECTUAL PROPERTY RIGHT.

ST PRODUCTS ARE NOT DESIGNED OR AUTHORIZED FOR USE IN: (A) SAFETY CRITICAL APPLICATIONS SUCH AS LIFE SUPPORTING, ACTIVE IMPLANTED DEVICES OR SYSTEMS WITH PRODUCT FUNCTIONAL SAFETY REQUIREMENTS; (B) AERONAUTIC APPLICATIONS; (C) AUTOMOTIVE APPLICATIONS OR ENVIRONMENTS, AND/OR (D) AEROSPACE APPLICATIONS OR ENVIRONMENTS. WHERE ST PRODUCTS ARE NOT DESIGNED FOR SUCH USE, THE PURCHASER SHALL USE PRODUCTS AT PURCHASER'S SOLE RISK, EVEN IF ST HAS BEEN INFORMED IN WRITING OF SUCH USAGE, UNLESS A PRODUCT IS EXPRESSLY DESIGNATED BY ST AS BEING INTENDED FOR "AUTOMOTIVE, AUTOMOTIVE SAFETY OR MEDICAL" INDUSTRY DOMAINS ACCORDING TO ST PRODUCT DESIGN SPECIFICATIONS. PRODUCTS FORMALLY ESCC, QML OR JAN QUALIFIED ARE DEEMED SUITABLE FOR USE IN AEROSPACE BY THE CORRESPONDING GOVERNMENTAL AGENCY.

Resale of ST products with provisions different from the statements and/or technical features set forth in this document shall immediately void any warranty granted by ST for the ST product or service described herein and shall not create or extend in any manner whatsoever, any liability of ST.

ST and the ST logo are trademarks or registered trademarks of ST in various countries.

Information in this document supersedes and replaces all information previously supplied.

The ST logo is a registered trademark of STMicroelectronics. All other names are the property of their respective owners.

© 2013 STMicroelectronics - All rights reserved

STMicroelectronics group of companies

Australia - Belgium - Brazil - Canada - China - Czech Republic - Finland - France - Germany - Hong Kong - India - Israel - Italy - Japan - Malaysia - Malta - Morocco - Philippines - Singapore - Spain - Sweden - Switzerland - United Kingdom - United States of America

www.st.com