

SWITCH FUNCTION	
POS. 1	POS. 2
OFF	ON
OPEN	1-1a

PANEL CUTOUT

PANEL THICKNESS	X
0.75 - 1.25	19.2
1.25 - 2.00	19.4
2.00 - 3.00	19.6



CIRCUIT: SPST

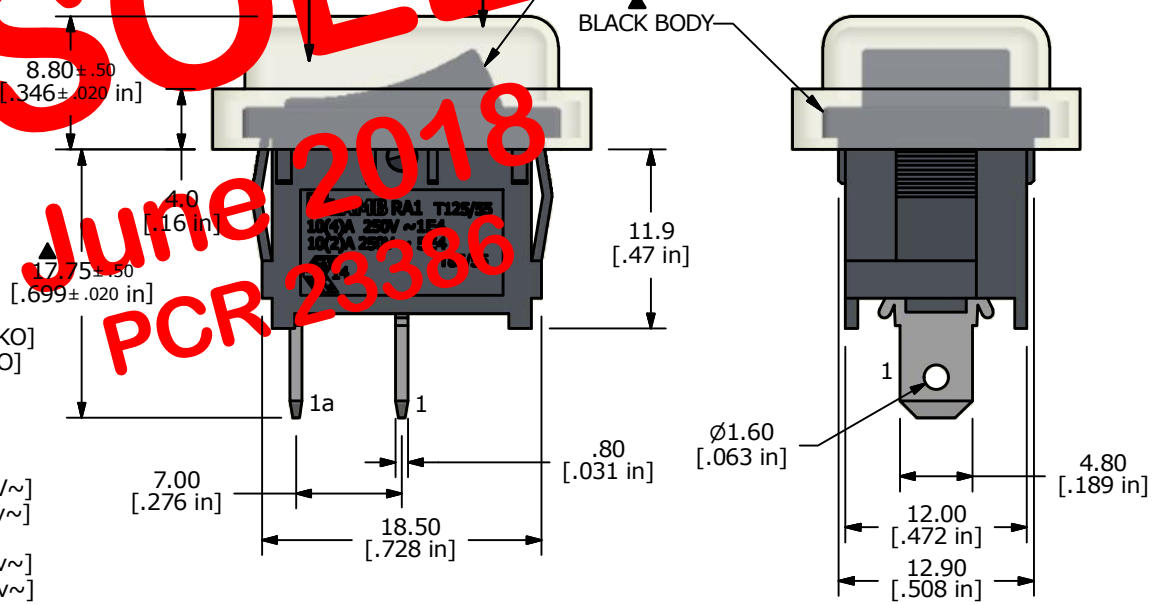
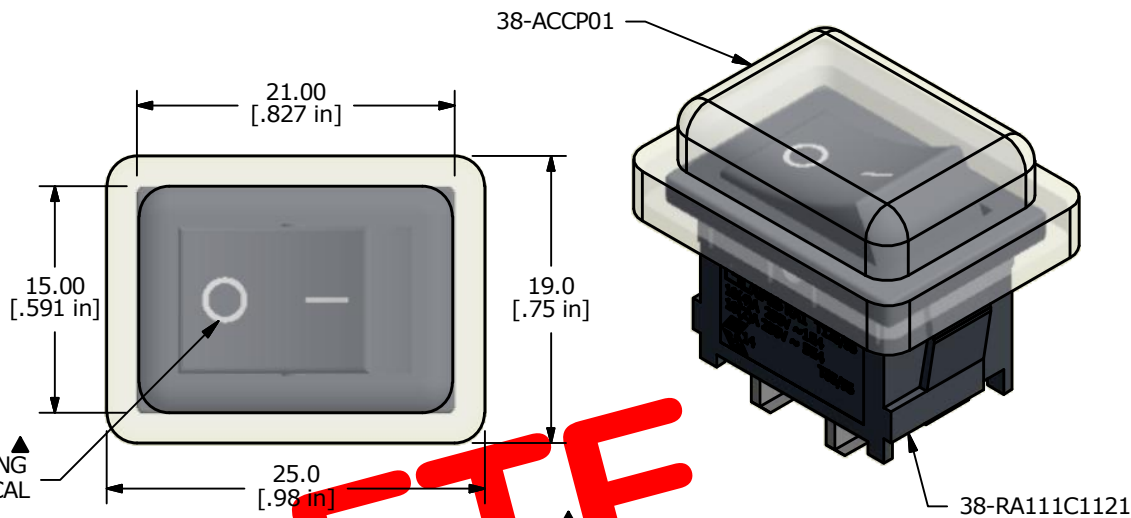
NOTE:

- DIMENSIONS IN MM [INCH]
- GENERAL TOLERANCE: X.X = ± 0.4
X.XX = ± 0.25
- TERMINAL NUMBERS FOR REF ONLY
- CONTACT MATERIAL: SILVER
- ▲ 5. CONTACT RATINGS:
ANSI/UL 1054 AND CAN/CSA C22.2 NO. 55 (E194579):
16A @ 125VAC [UR, cUR]
10A @ 250VAC [UR, cUR]
1/3HP 125/250VAC [UR, cUR]
EN 61058-1:2002
10(4)A 250V~ 1E4 T125/55 [ENEC14, SEMKO]
10(2)A 250V~ 5E4 T85/55 [ENEC14, SEMKO]
- CONTACT RESISTANCE: 35mΩ MAX. @ 50VAC
- INSULATION RESISTANCE: 100MΩ MIN. @ 500VAC
- DIELECTRIC STRENGTH: 1,500VAC FOR 1 MINUTE
- ELECTRICAL LIFE: 6,000 CYCLES [UR, cUR]
10,000 CYCLES [ENEC14, SEMKO: 10(4)a 250V~]
50,000 CYCLES [ENEC14, SEMKO: 10(2)a 250V~]
- OPERATING TEMPERATURE: -20°C TO 105°C [UR, cUR]
-20°C TO 125°C [ENEC14, SEMKO: 10(4)a 250V~]
-20°C TO 85°C [ENEC14, SEMKO: 10(2)a 250V~]
- ▲ DENOTES CRITICAL PARAMETER
- 2002/95/EC (ROHS) COMPLIANT

OBSOLETE

June 2018

PCR 23386



B	21486	REDRAW	6/20/14	EBP
REV	PCR NO	DESCRIPTION	DATE	BY

THE INFORMATION CONTAINED IN THIS DOCUMENT IS PROPRIETARY TO E-SWITCH AND IS NOT TO BE COPIED OR TRANSFERRED

TITLE RA111C1121/ACC-P01				
SCALE	DATE	DR	DWG	REV
	6/20/2014	EBP	38-RA1S00142	B