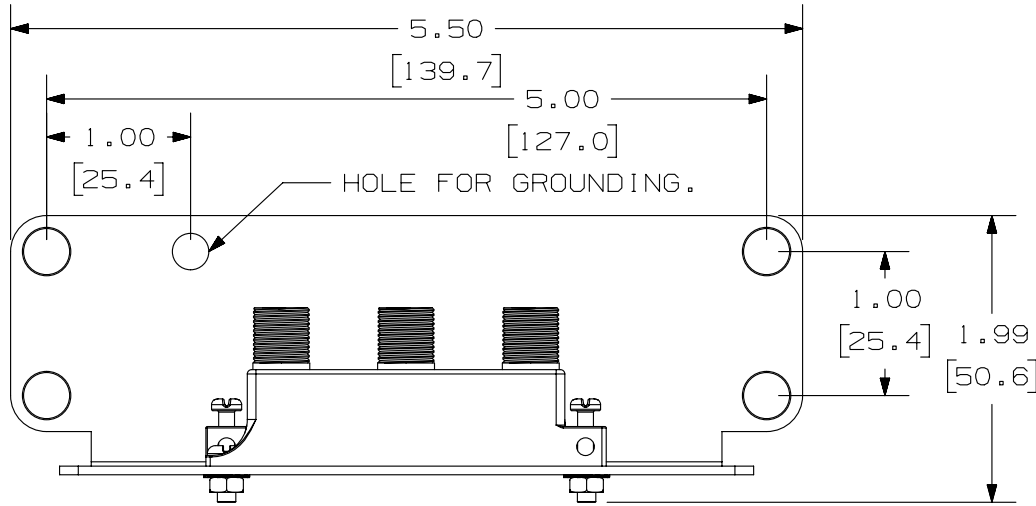
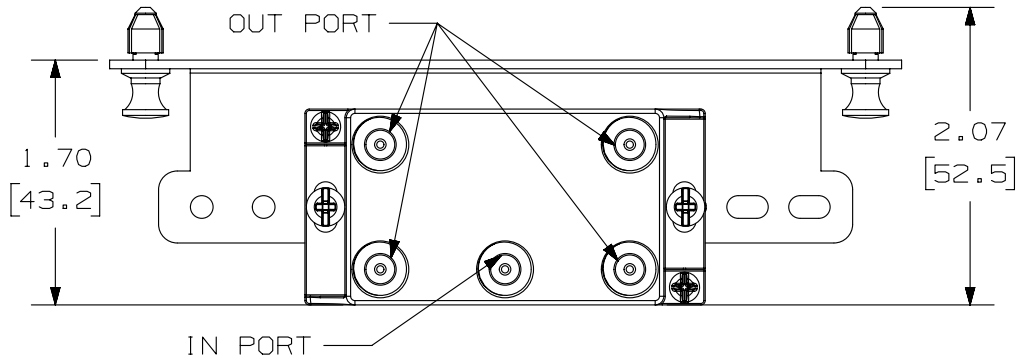


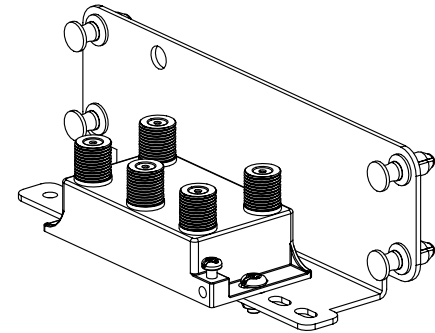
THIS COPY IS PROVIDED ON A RESTRICTED BASIS AND IS NOT TO BE USED IN ANY WAY DETRIMENTAL TO THE INTERESTS OF PANDUIT CORP.



PANDUIT P/N	WEIGHT
MS4S2G	.43 LB/EACH PC (193.6 g/EACH PC)

NOTES:

1. SEE CURRENT CATALOG FOR ADDITIONAL PART NUMBER SUFFIXES TO INDICATE COLOR AND OR PACKAGE QUANTITY.
2. SEE CATALOG FOR COMPLETE LIST OF PARTS APPLICABLE FOR USE WITH THIS PART.
3. DIMENSIONS IN [] ARE IN METRIC.
4. PART INCLUDES:
1- 1X4 PASSIVE SATELLITE SPLITTER MODULE
1- GROUNDING SCREW



PART NUMBER		MS4S2G	
TITLE			
MEDIA DISTRIBUTION 1X4 PASSIVE SATELLITE VIDEO		SPLITTER	
CUSTOMER DRAWING			
ITEM REVISION NAME		M03105AD/00	
DATASET FILE NAME		M03105AD_DC04/00B	
UNLESS OTHERWISE SPECIFIED, DIMENSIONAL TOLERANCES ARE: IN [mm]		MATERIAL:	
.x ± .xxx ± .010 [.3]		BRACKET - 16 GAGE C.R.S.	
.xx ± .03 [.8]		VIDEO SPLITTER - ZINC PLATED	
ANGLES ±		STEEL	
THIRD ANGLE PROJECTION		DRAWING NUMBER:	
03105-04		03105-04	
DRAWN BY	DATE	CHK	SCALE
JSP	10-14-08	REFR	NONE
SHT 1 OF 1		SIZE	
A		A	

REV	DATE	BY	CHK	APR	DESCRIPTION	ECN
1	5-02-14	MDJR	REFR	MMR	A. UPDATED TITLE BLOCK.	03105-04
R	10-14-08	JSP	REFR	REFR	RELEASED TO PRODUCTION	03105-04

D101000DA/14

2

1

2

1