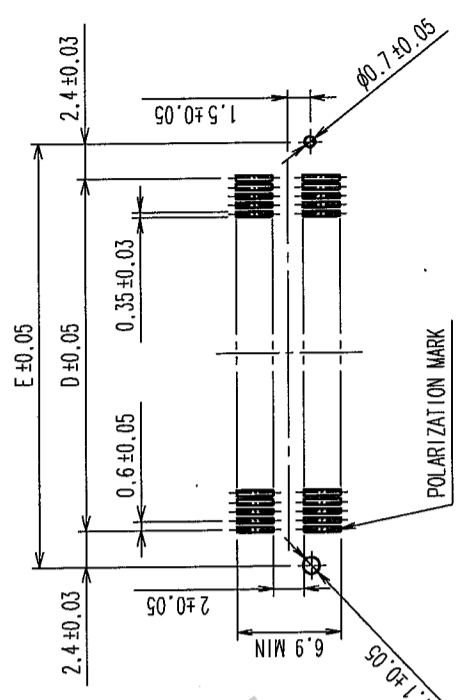


COUNT	DESCRIPTION OF REVISIONS	BY	CHKD	DATE	COUNT	DESCRIPTION OF REVISIONS	BY	CHKD	DATE
3	RE-F-09671	K.N	H.Y	04.04.08					

RECOMMENDED LAND PATTERN DIMENSION OF P.C.B. (MOUNTING SIDE)



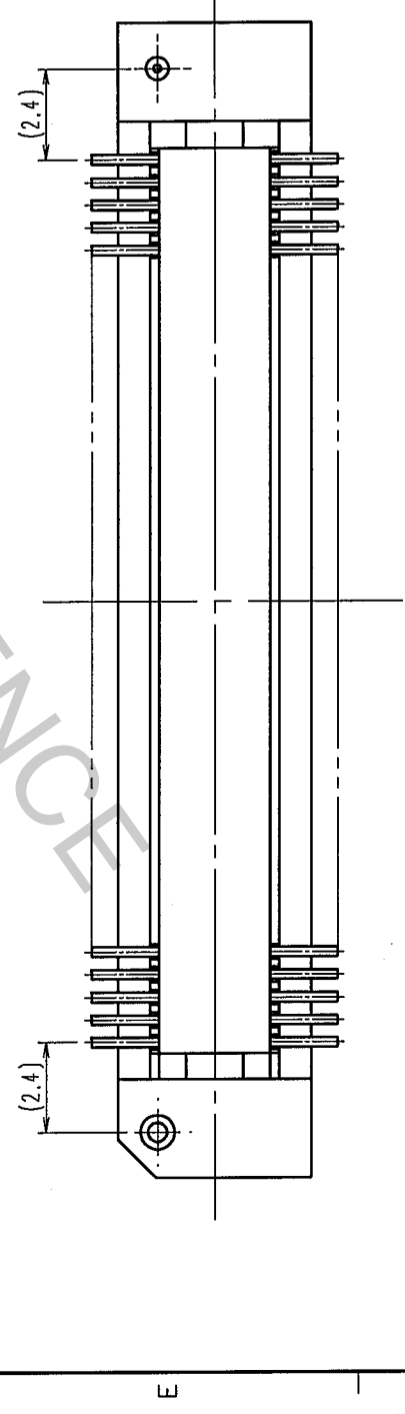
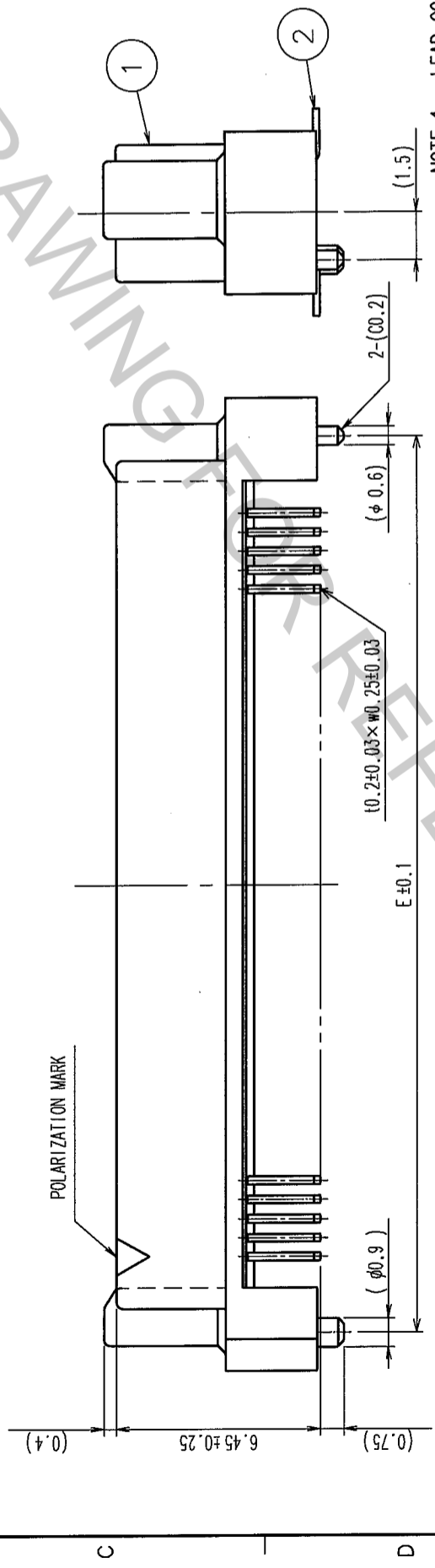
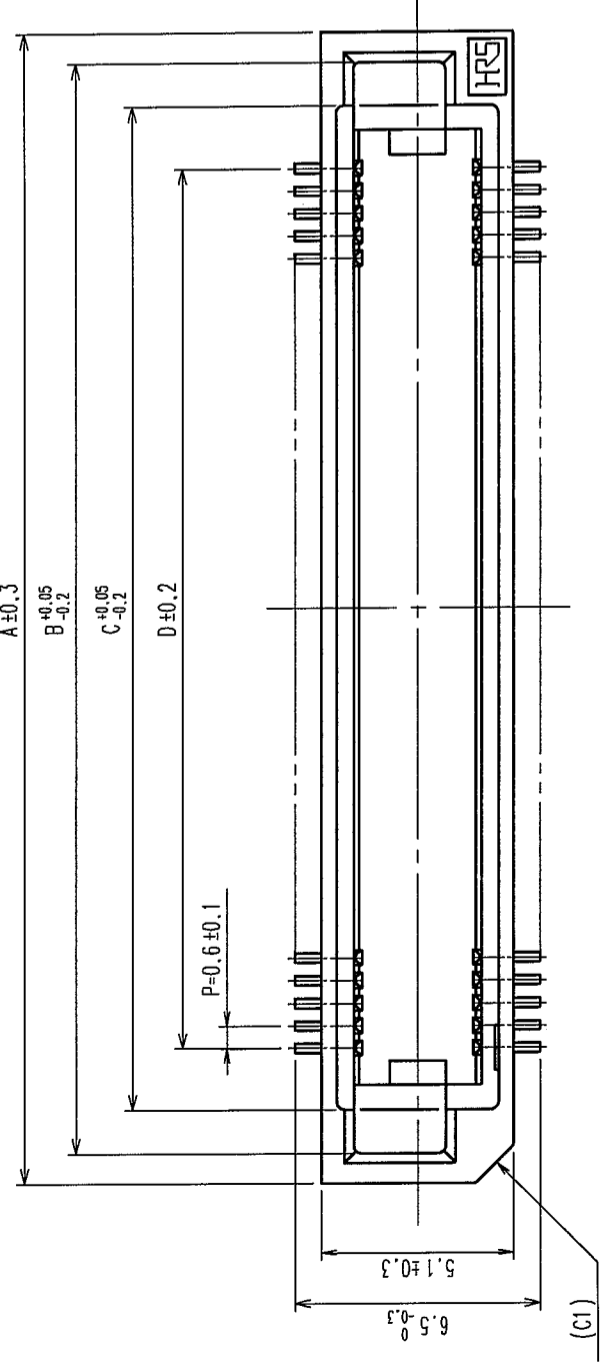
DIMENSION TABLE OF CONNECTOR AND P.C.B. LAND PATTERN.

PART No.	CODE No.	6	7	A	B	C	D	E
FX8C-60P-SV2(93)	CL578-0541-3-93	60	X	24.60	23.00	20.70	17.40	22.20
FX8C-80P-SV2(93)	CL578-0543-9-93	80	X	30.60	29.00	26.70	23.40	28.20
FX8C-100P-SV2(93)	CL578-0545-4-93	100	X	36.60	35.00	32.70	29.40	34.20
FX8C-120P-SV2(93)	CL578-0546-7-93	120	-	42.60	41.00	38.70	35.40	40.20
FX8C-140P-SV2(93)	CL578-0547-0-93	140	X	48.60	47.00	44.70	41.40	46.20

- NOTE 1. LEAD CO-PLANARITY SHALL BE 0.1mm MAX.
 2. EMBOSSED CARRIER TAPE PACKAGING SHALL BE APPLIED TO THIS PRODUCT.
 3. THIS PRODUCT HAS TAPE FOR VACUUM PICKUP.
 4. FOR MODIFICATION, ETC., PREVENTIVE HOLE FOR SINK MARK MAY BE ADDED ACCORDING TO CIRCUMSTANCES.
 5. THE DIMENSIONS IN PARENTHESES ARE FOR REFERENCE.

6 NUMBER OF CONTACTS.
 7 EXISTENCE
 X: PRODUCED, -: NO PRODUCED

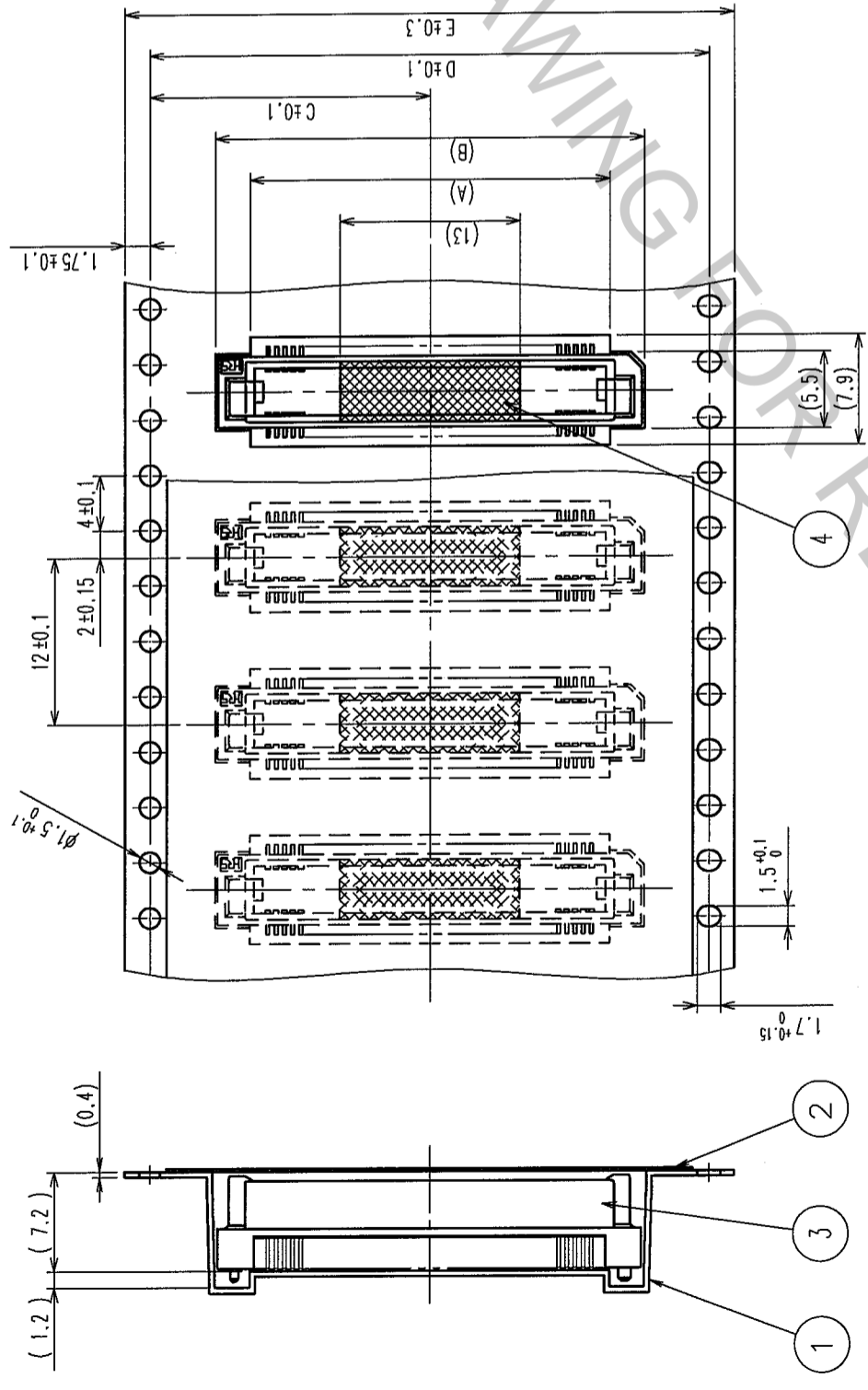
1	PPS	LIGHT BROWN (UL94V-0)	2	PHOSPHOR BRONZE	CONTACT AREA: GOLD 0.1μm min LEAD AREA: TIN-PLATING 1μm min UNDER PLATING: NICKEL 1μm min
NO.	MATERIAL	FINISH, REMARKS	NO.	MATERIAL	FINISH, REMARKS
CODE NO. (OLD)	CL				
DRAWN		DESIGNED		CHECKED	
S. SUZUKI		K. NAKAMURA		H. OKAWA	
03.02.04		03.02.12		03.02.14	
PART NO.		FX8C-**P-SV2(93)			
EDC3-151088-23					
SCALE		FREE			
UNITS		mm			
DRAWING NO.		PART NO.			
EDC3-151088-23		FX8C-**P-SV2(93)			
HRS		HIROSE ELECTRIC CO., LTD			
CL578		CL578			



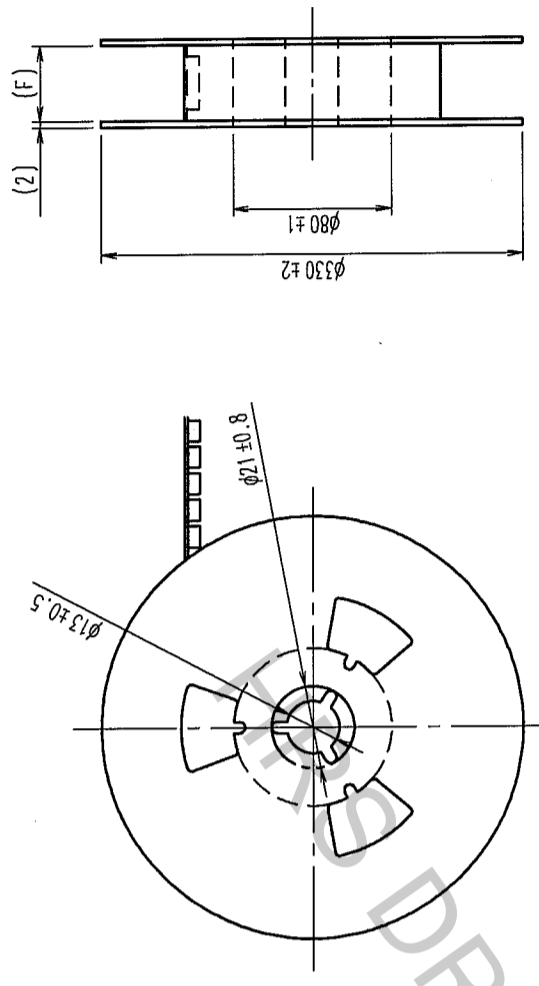
TO	
PCK	

COUNT	DESCRIPTION OF REVISIONS	BY	CHKD	DATE	COUNT	DESCRIPTION OF REVISIONS	BY	CHKD	DATE

UNREELING DIRECTION 



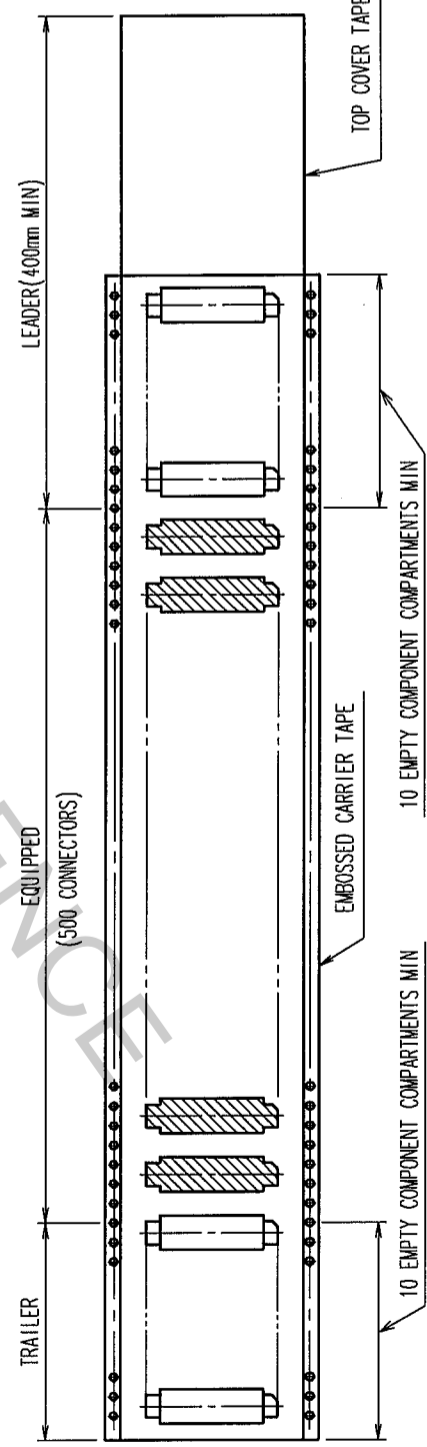
REEL DIMENSION



DETAIL OF TAPE FOR VACUUM PICKUP(5:1)

△ DIMENSION TABLE OF EMBOSSED CARRIER TAPE AND REEL.

PART No.	CODE No.	2	3	A	B	C	D	E	F
FX8C-60P-SV2(93)	CL578-0541-3-93	60	×	20	25	20.2	40.4	44	44.4
FX8C-80P-SV2(93)	CL578-0543-9-93	80	×	26	31	20.2	40.4	44	44.4
FX8C-100P-SV2(93)	CL578-0545-4-93	100	×	32	37	26.2	52.4	56	56.4
FX8C-120P-SV2(93)	CL578-0546-7-93	120	—	38	43	26.2	52.4	56	56.4
FX8C-140P-SV2(93)	CL578-0547-0-93	140	×	44	49	34.2	68.4	72	72.4



NOTE 1. 1 REEL : 500 CONNECTORS
 2. NUMBER OF CONTACTS
 3. EXISTENCE
 × : PRODUCED, - : NO PRODUCED

2	POLYESTER	(TOP COVER TAPE)	4	POLYIMIDE	(TAPE FOR VACUUM PICKUP)
1	PS	(EMBOSSED CARRIER TAPE)	3	(CONNECTOR)	(CONNECTOR)
NO.	MATERIAL	FINISH, REMARKS	NO.	MATERIAL	FINISH, REMARKS
CODE NO. (OLD)	CL		CODE NO. (NEW)		
DESIGNED	K. NAKAMURA	CHECKED	H. OKAWA	APPROVED	Y. YOSHIMURA
DRAWN	S. SUZUKI	DESIGNED	K. NAKAMURA	CHECKED	H. OKAWA
03.02.04	03.02.12	03.02.12	03.02.14	03.02.15	03.02.15
DRAWING NO. EDC3-151088-23		PART NO. FX8C-**-P-SV2(93)			
SCALE FREE		CODE NO. CL578			
UNITS		HIROSE ELECTRIC CO., LTD			

TO	
PCK	