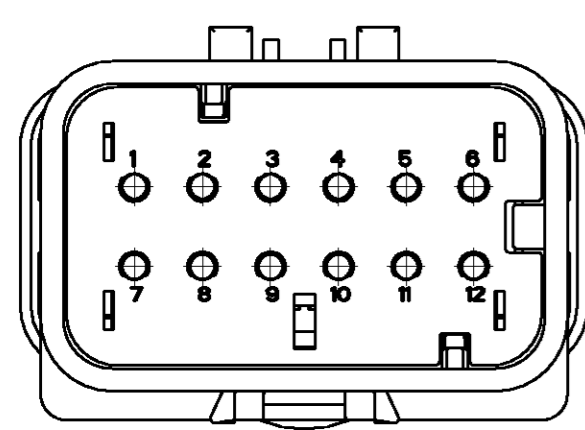
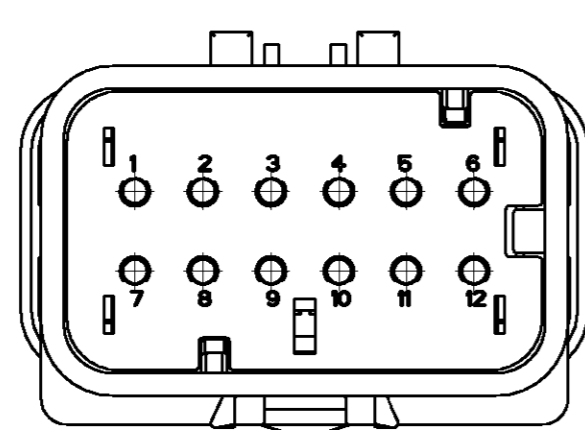


THIS DRAWING IS UNPUBLISHED. RELEASED FOR PUBLICATION
 © COPYRIGHT ALL RIGHTS RESERVED.

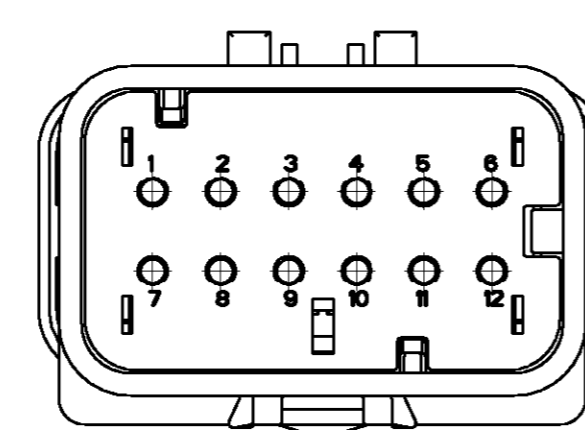
LOC	DIST	REVISIONS			
F	LTR	DESCRIPTION	DATE	DWN	APVD
GE	00	C1 REVISED PER ECO-11-005294	20APR11	RK	HMR



776438-2
SCALE 2:1

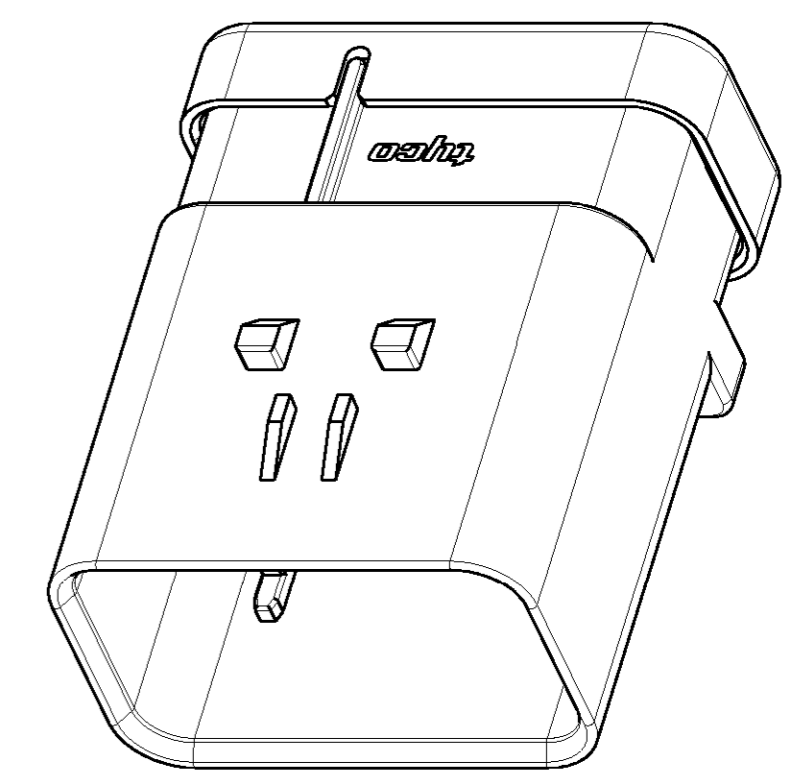
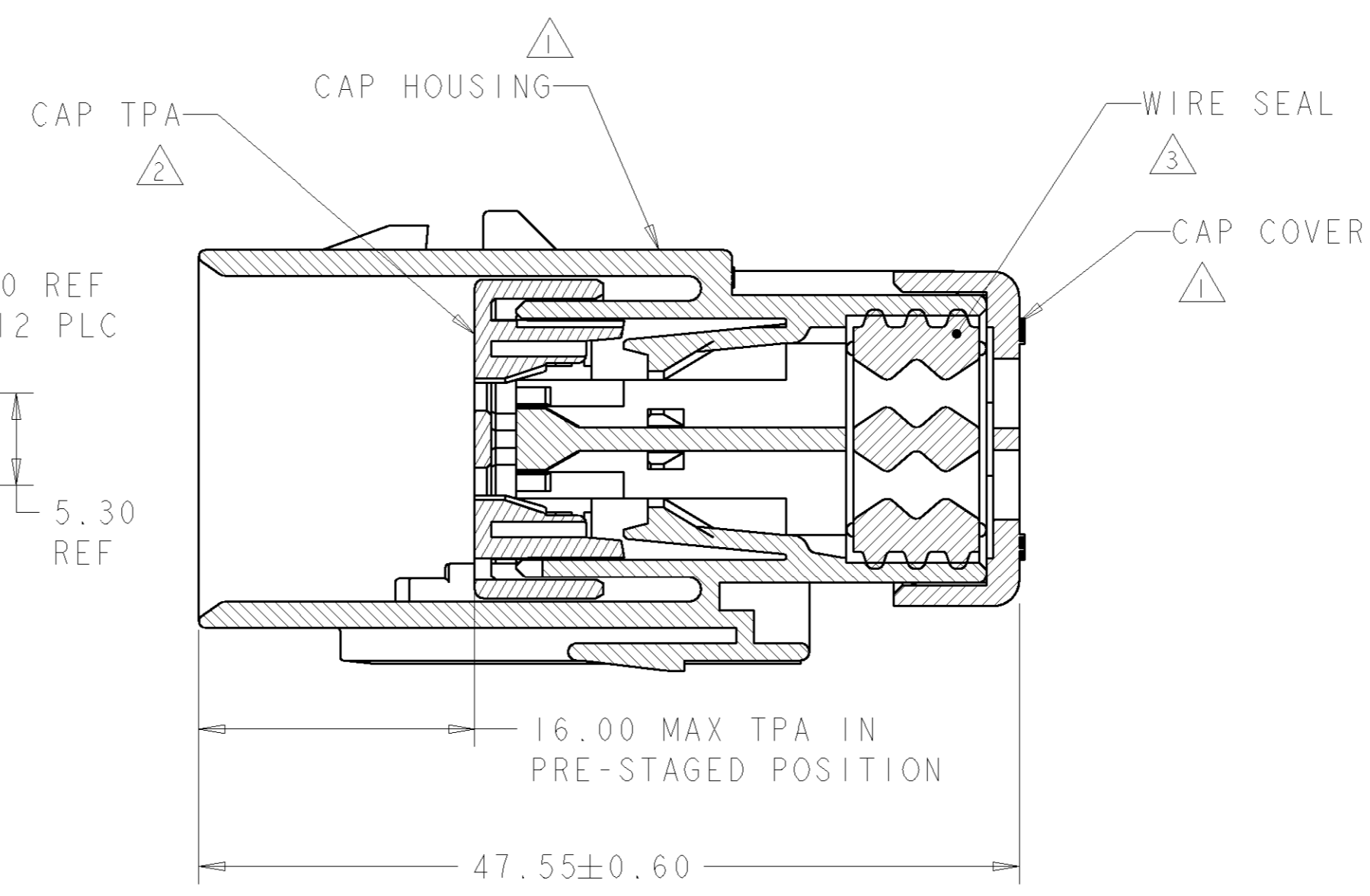
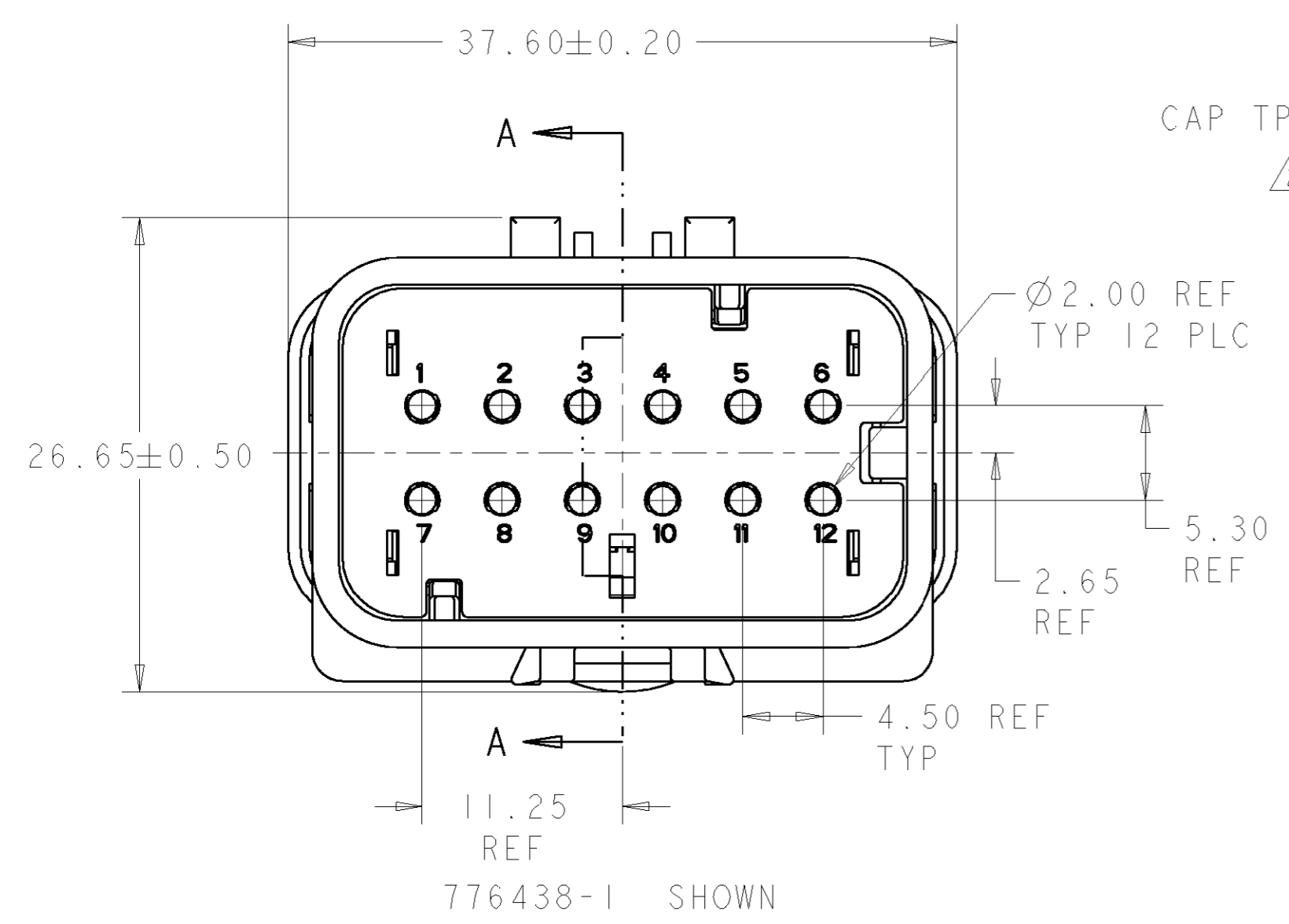


776438-3
SCALE 2:1



776438-4
SCALE 2:1

- ① MATERIAL: 15% GLASS FILLED THERMOPLASTIC
COLOR: BLACK
- ② MATERIAL: 15% GLASS FILLED THERMOPLASTIC
COLOR: (SEE TABLE)
- ③ MATERIAL: SILICONE
COLOR: YELLOW



SCALE 2:1

TPA COLOR	PART NUMBER
GREEN	776438-4
YELLOW	776438-3
GRAY	776438-2
RED	776438-1

DIMENSIONS: mm 		TOLERANCES UNLESS OTHERWISE SPECIFIED: 0 PLC ± 1 PLC ± 2 PLC ± 3 PLC ± 4 PLC ± ANGLES ± FINISH		DWN AJ GRAFF 06DEC99 CHK R. GREINER 03JAN02 APVD M. TRULLI 03JAN02 PRODUCT SPEC - APPLICATION SPEC 114-13065 WEIGHT - CUSTOMER DRAWING	TE Connectivity NAME CAP ASSEMBLY, 12 POSITION, DUAL ROW, AMPSEAL 16 SIZE A2 CAGE CODE 00779 DRAWING NO. C-776438 RESTRICTED TO - SCALE 2:1 SHEET 1 OF 1 REV C1
-----------------------	--	---	--	--	--