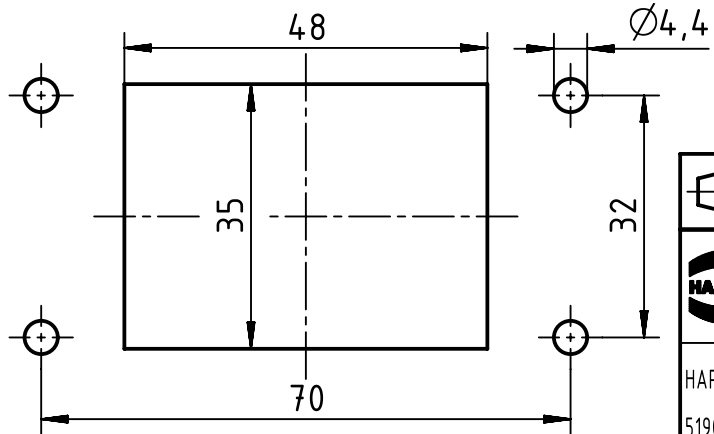
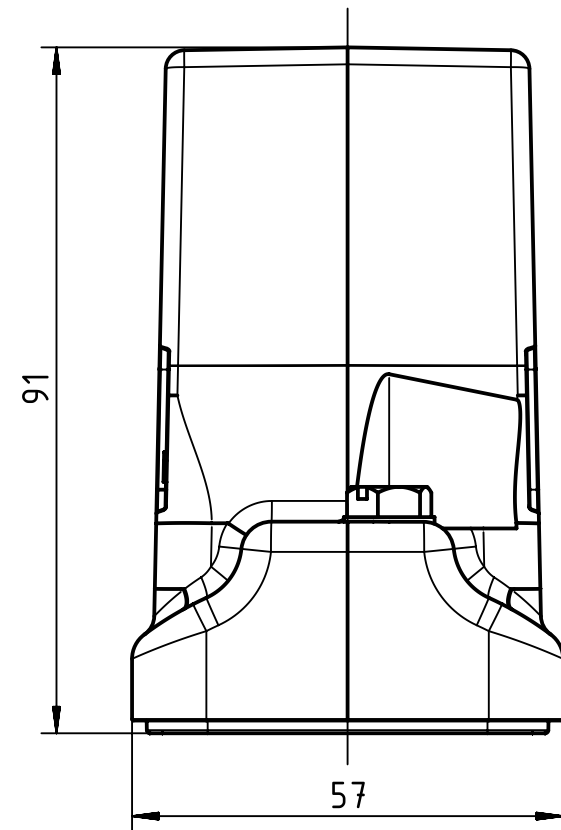
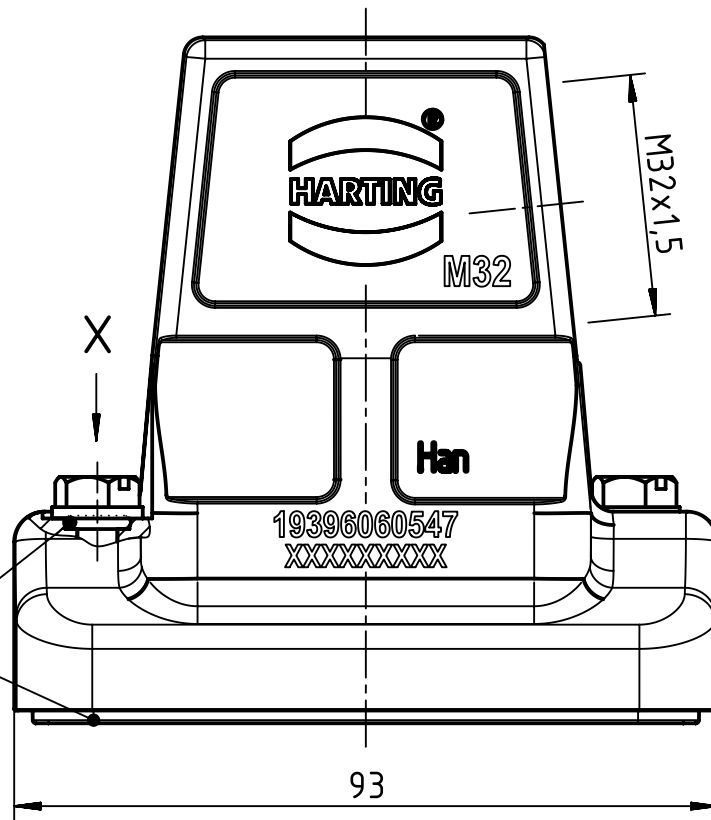




Panel cut out



Seal



	All rights reserved		Created by LONGL		Inspected by ZENGM		Standardisation RUETERA		Date 2017-07-14		State Final Release	
	Department EL PD - CN		Title Han 6HP Direct/B-HSE-M32		Number 19 39 606 0547		Doc-Key / ECM-Nr. 100661488/UGD/004/E 500000122279		Rev. E		Page 1/1	
 All Dimensions in mm Original Size DIN A4			Scale 1:1			Free size tol.			Ref. Sub.			
HARTING (Zhuhai) Manufacturing Co., Ltd. 519085 Zhuhai, China			Type TB									