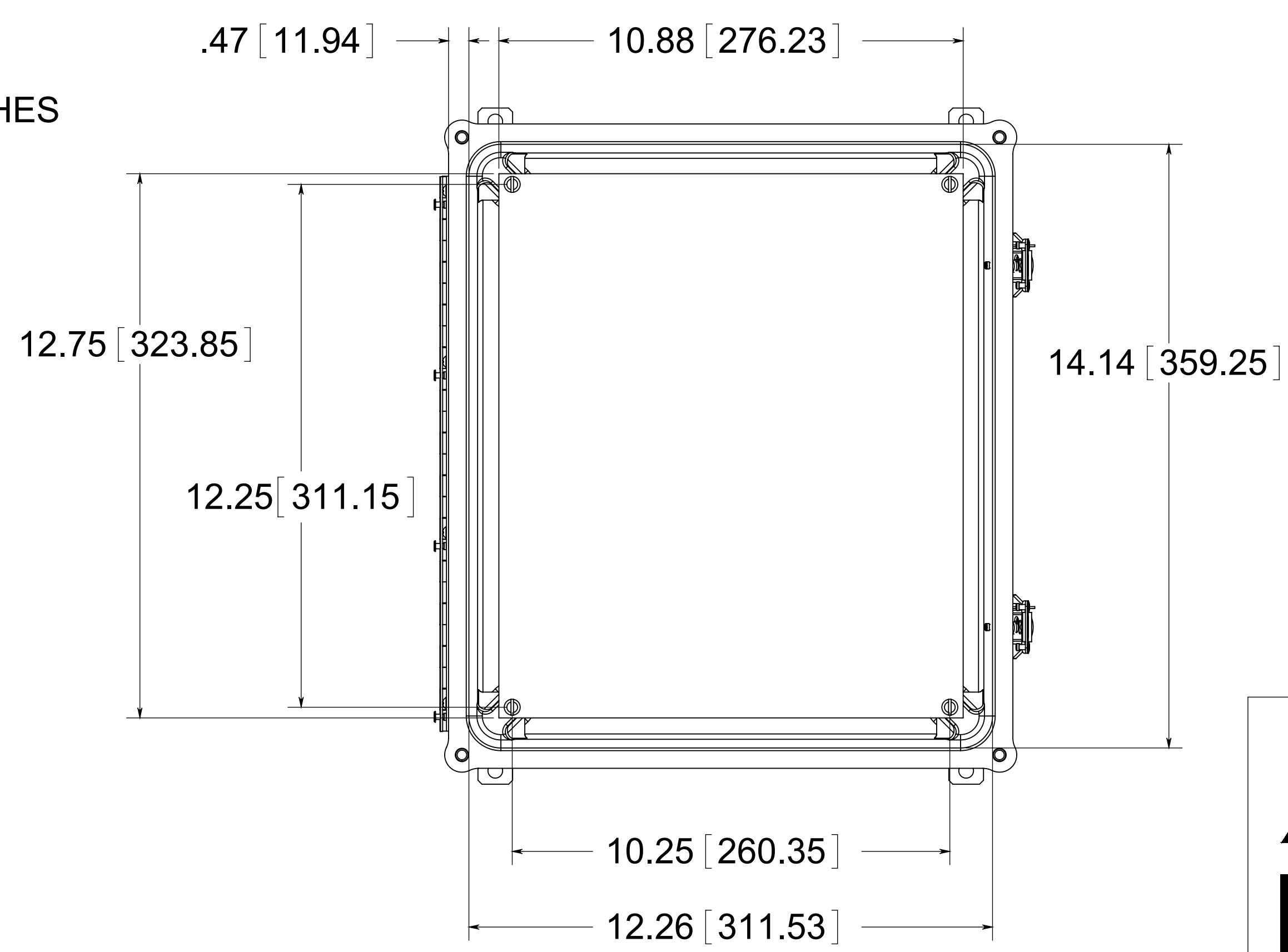
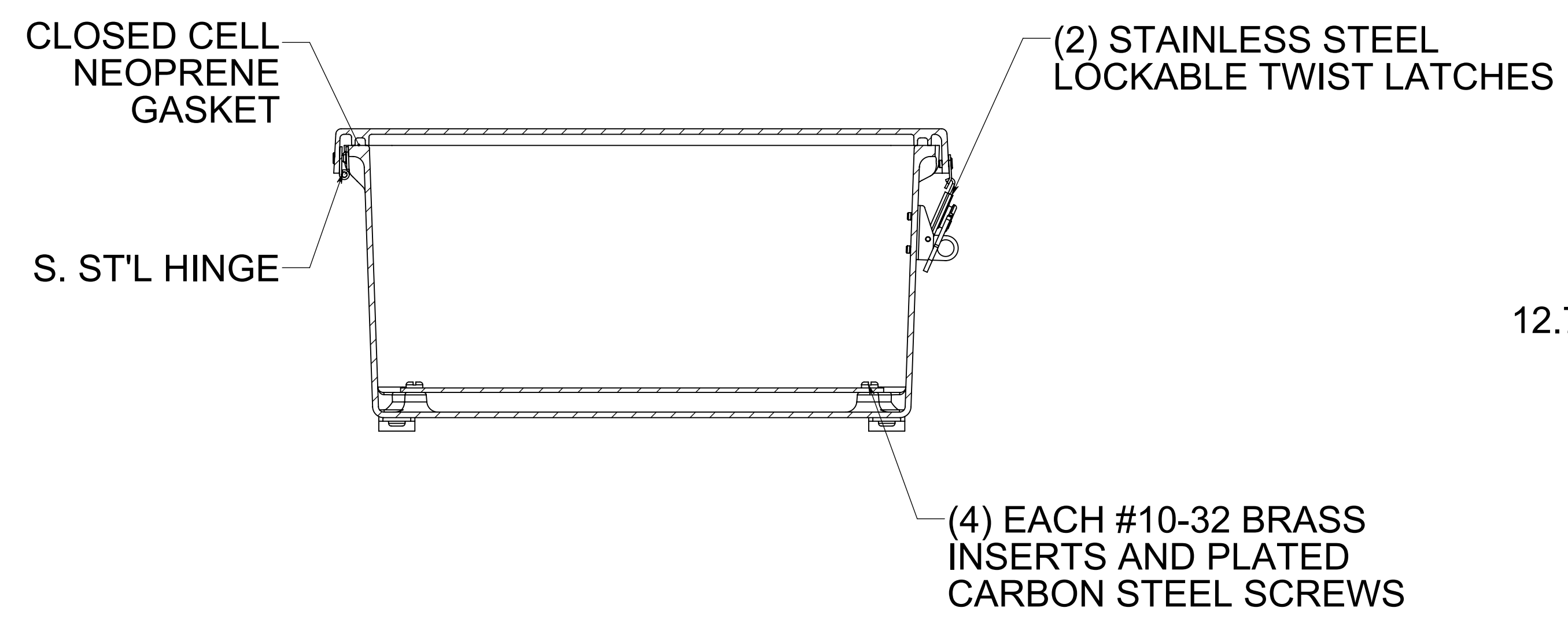


FRONT VIEW  
WITH COVER REMOVED  
AND BACK PANEL SHOWN

BACK VIEW



**MATERIAL:**  
BOX- COMPRESSION MOLDED FIBERGLASS REINFORCED POLYESTER  
COVER- COMPRESSION MOLDED FIBERGLASS REINFORCED POLYESTER  
WINDOW- POLYCARBONATE

**PART No. PJ14126T**  
for more information visit  
[www.hammfg.com](http://www.hammfg.com)  
Data subject to change without notice  
Drawing Not to Scale