

TABLE 1		
ITEM	COMPONENT	-H
1	SHELL	MMCX-J-P-F-RA-TH1-SHL
2	PIN	MMCX-J-P-H-RA-TH1-SKT
3	INSULATOR 1	MMCX-INS-002
4	INSULATOR 2	MMCX-INS-003

DESIGNED & DIMENSIONED
IN MILLIMETERS [INCHES]

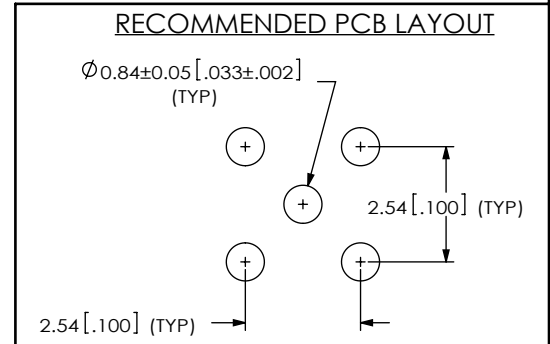
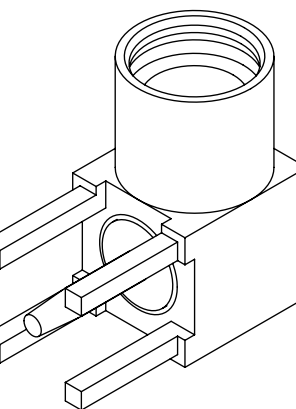
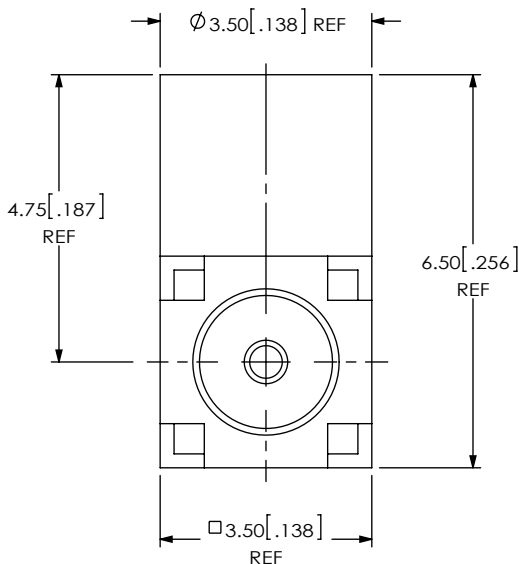
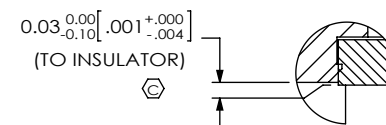
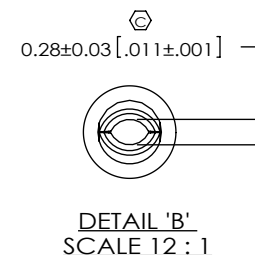
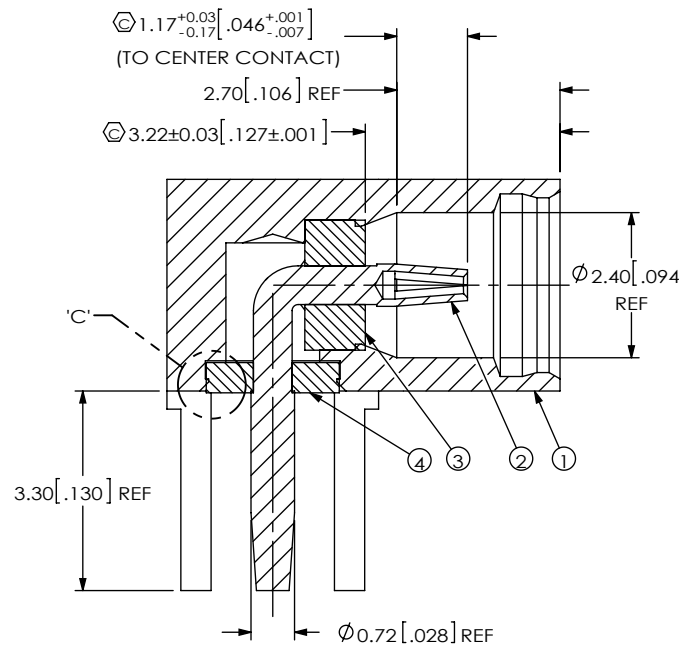
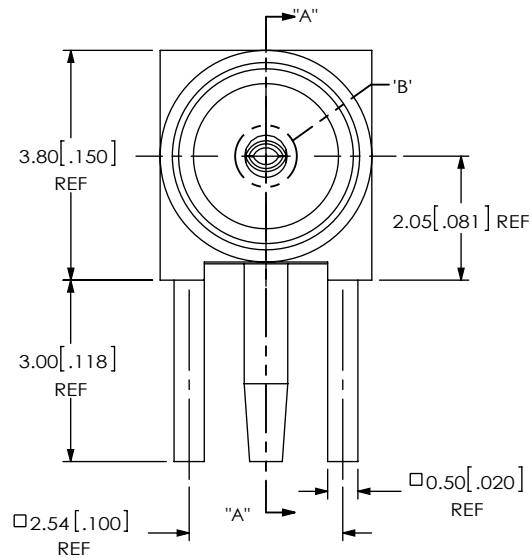
PF6 THIS PRODUCT MANUFACTURED
WITH LEAD-FREE PROCESSING

MMCX-J-P-X-RA-TH1

GENDER: -J: JACK
TYPE: -P: PCB
TERMINATION: -TH1: THROUGH HOLE
-RA: RIGHT ANGLE ORIENTATION

PLATING SPECIFICATION
-H: 30µ" GOLD CENTER CONTACT,
3µ" GOLD OUTER CONTACT
(SEE TABLE 1)

DO NOT
SCALE FROM
THIS PRINT



NOTES:

1. C REPRESENTS A CRITICAL DIMENSION.
2. PUSHOUT FORCE FOR INSULATOR: 22.24 N [5 LB] MIN.
3. PUSHOUT FORCE FOR CENTER CONTACT: 11.12 N [2.5 LB] MIN.
4. PARTS TO BE PACKAGED IN TRAYS; IF QUANTITY IS LESS THAN HALF TRAY, PARTS TO BE PACKAGED IN FOAM.
5. RoHS COMPLIANT.

UNLESS OTHERWISE SPECIFIED, DIMENSIONS ARE IN MILLIMETERS [INCHES]. TOLERANCES ARE:
DECIMALS ANGLES
.X: ±0.3 [0.1] 5°
.XX: ±0.13 [0.05]
.XXX: ±0.051 [0.020]

PROPRIETARY NOTE
THIS DOCUMENT CONTAINS CONFIDENTIAL AND PROPRIETARY INFORMATION AND ALL DESIGN, MANUFACTURING, REPRODUCTION, USE, PATENT RIGHTS AND SALES RIGHTS ARE EXPRESSLY RESERVED BY SAMTEC, INC. THIS DOCUMENT SHALL NOT BE DISCLOSED, IN WHOLE OR PART, TO ANY UNAUTHORIZED PERSON OR ENTITY NOR REPRODUCED, TRANSFERRED OR INCORPORATED IN ANY OTHER PROJECT IN ANY MANNER WITHOUT THE EXPRESS WRITTEN CONSENT OF SAMTEC, INC.

samtec
520 PARK EAST BLVD, NEW ALBANY, IN 47150
PHONE: 812-944-6733 FAX: 812-948-5047
e-Mail: info@SAMTEC.com code: 55322

MATERIAL: DO NOT SCALE DRAWING SHEET SCALE: 8:1
SHELL: BRASS C3604B
PIN: BECU C17300
INSULATOR: PTFE

DESCRIPTION: MMCX RIGHT ANGLE, JACK- 50 OHM
DWG. NO. MMCX-J-P-X-RA-TH1

BY: R MUSSER 12/03/2007 SHEET 1 OF 1