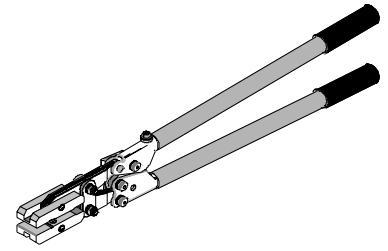




**Operating Instruction Sheet
For 64001-5300 (Ratchet Hand Tool)
For SC Power Connectors**

Product Nos. 19045-1000, 19403-1011,
19403-1010, 19401-1000, 19403-1310,
19402-1000, 19402-1010, 19402-1011,
19403-0011, 19421-0001, 19421-0002
(Replaces 19285-0074 and 19285-0100)



FEATURES

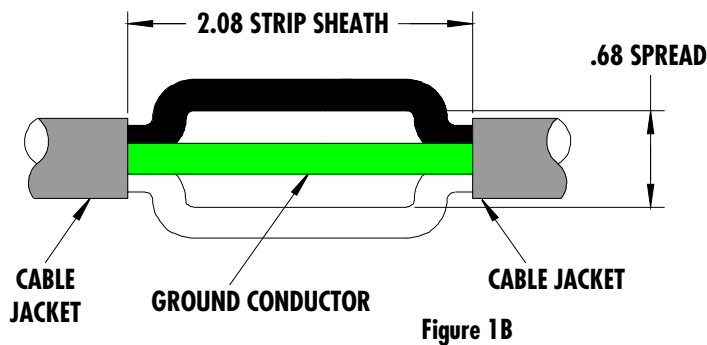
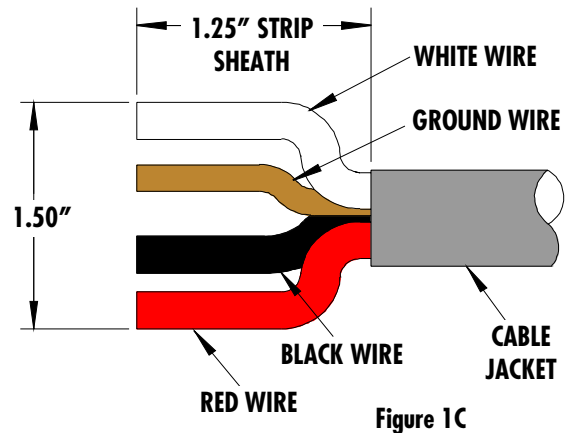
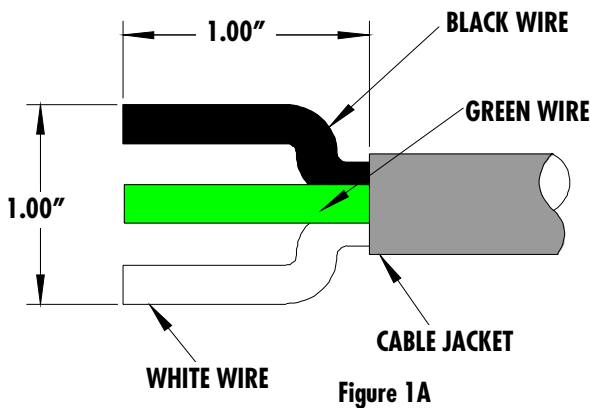
- Ratchet mechanism to insure full stroke.
- Cushioned Handles
- Dedicated tooling for quality assembly.
- One tool used to assemble all of the above connector assemblies.

SCOPE

Self-contained power connector assemblies for 12-16 AWG wire.

OPERATION

1. Strip cable jacket and pre-form the wires as shown in Figure 1A. For tap connector cable prep, see Figure 1B. For 3 circuit version on cable prep, see Figure 1C.



- Position the clear cover (bottom facing upward) as shown in Figure 2.

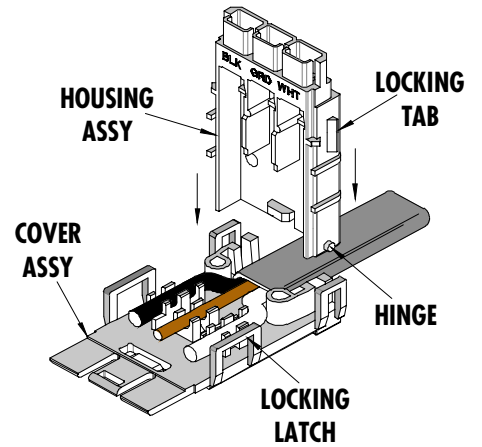
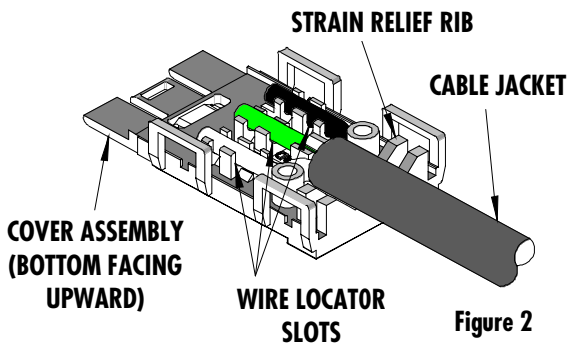


Figure 3B

- Position wires into locator slots. Be certain to place black wire in slot marked BLK, green or bare wire in slot marked GRD, and the white wire in the third slot. Upon final positioning of all wires, be certain the end of the cable jacket is a minimum of .06" past the second strain relief rib as shown in Figure 2.
- For connectors with four latches, position the housing assembly over the cover with the ribs in the housing aligned between the latches as shown in Figure 3A. Push the two halves together until the locking tabs engage as shown in Figure 4. For hinged connectors, position the hinge pins on the housing assembly into the mating holes in the cover as shown in figure 3B.

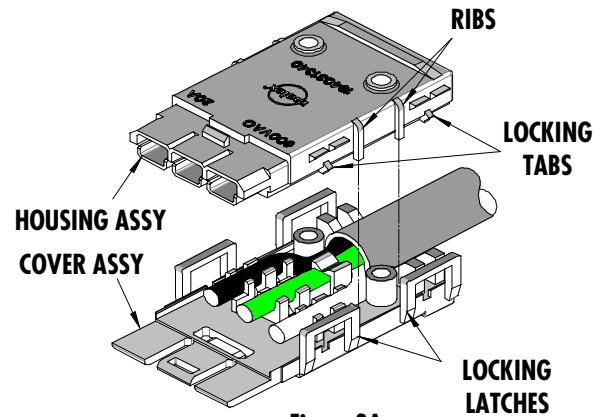


Figure 3A

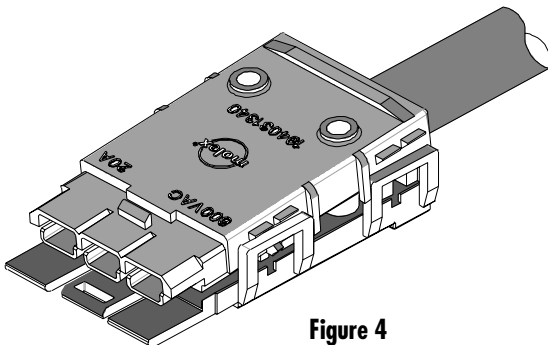


Figure 4

- The upper jaw is set-up in two positions; make sure the step is facing in the right direction for the specific connector used.

When assembling connectors #19403-0011, 19421-0001 and 19421-0002 to round cable, the step in the upper jaw should be towards the front of the hand tool as shown in Figure 5-1.

For all other connectors, the step in the upper jaw is facing towards the back of the hand tool as shown in Figure 5-2.

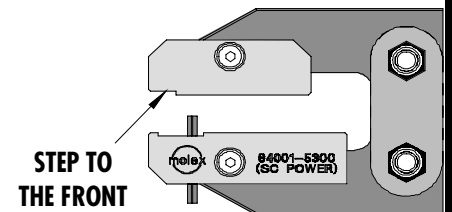


Figure 5-1

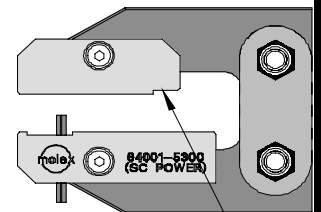
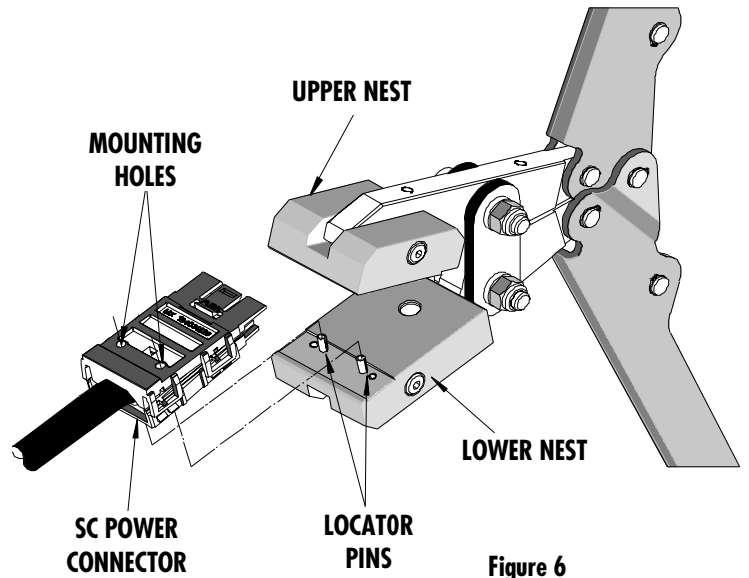


Figure 5-2

6. Place the connector assembly on the lower nest by positioning the connector mounting holes onto the locator pins as shown in Figure 6.

NOTE: For 3 circuit plus ground connectors, the two outermost locating pins should be in the up position and the inner pins should be down.
For tap connectors, locate the edge of the connector against the locator pins and butt the tap portion against the edge of the upper jaw as shown in Figure 8.



7. With the connector in position as shown in Figure 7 or 8, push the handles together simultaneously until fully closed and then open.
8. Remove the terminated connector assembly by lifting straight up to disengage the connector from locator pins.

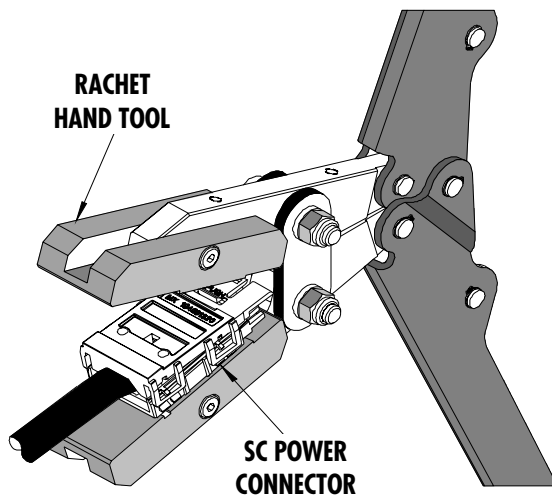


Figure 7

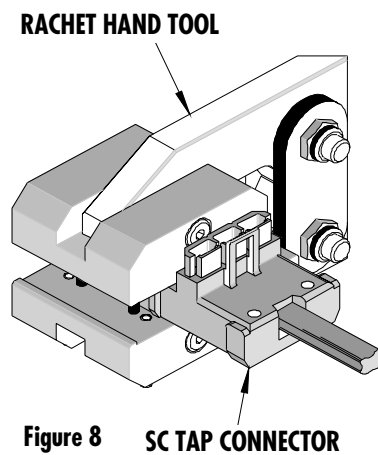


Figure 8

PARTS LIST

Item	Order No.	Description	QTY
	64001-5300	Ratchet Hand Tool (Fig 9)	REF
1	64006-0180	SC Power Head Assembly	1
2	63810-0800	10.5" Handle (OPT #HS-HAND-267)	1
3	64001-5370	SC Power 12 - 16 AWG Tool Kit	1
Tool Kit Only			
4	64001-5301	Nest-Lower	1
5	64001-5302	Nest-Upper	1
6	N/A	1/4 by 1 1/4" Lg. Shldr Screw	2**
7	N/A	1/8 by 3/4" Lg Roll Pin	4**

** The following purchased parts are available from an Industrial supply company such as MSC 1-800-645-7270.

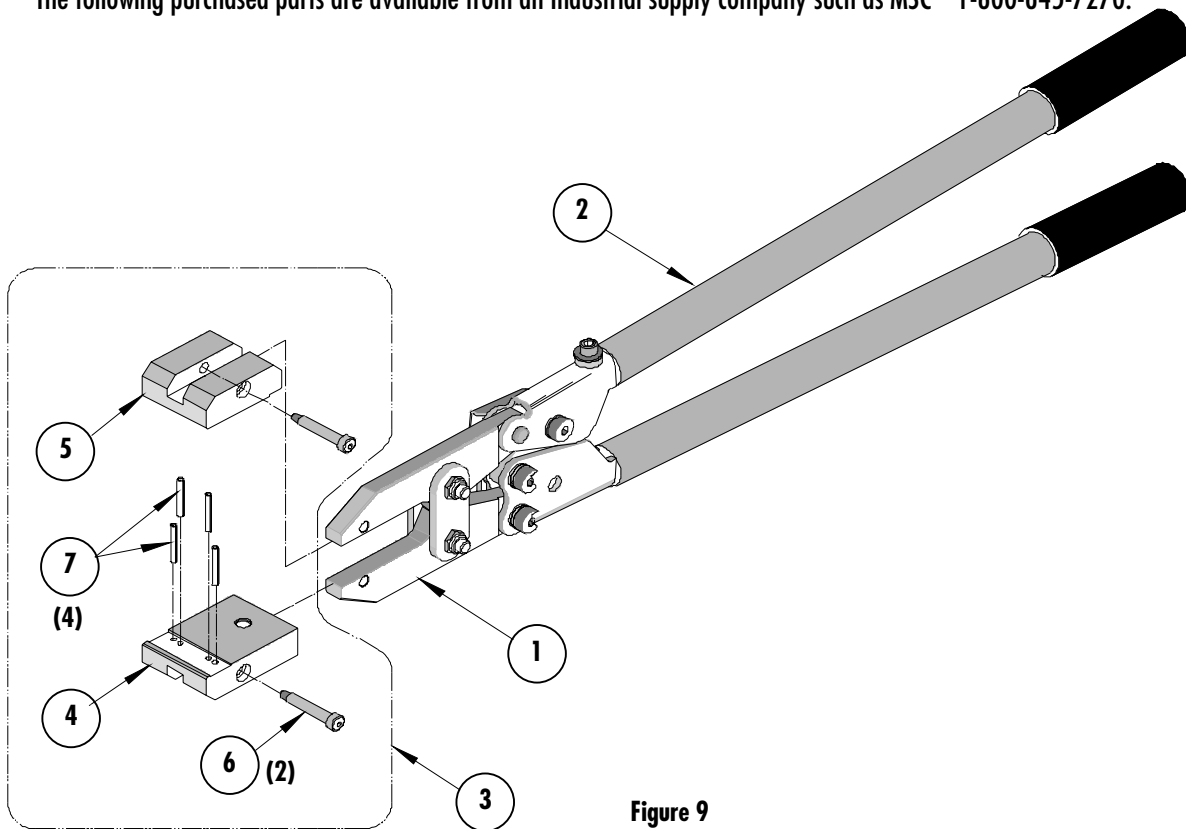


Figure 9

Molex Application Tooling Group

1150 E. Diehl Road
 Naperville, IL 60563
 Tel: (630) 969-4550
 Fax: (630) 505-0049