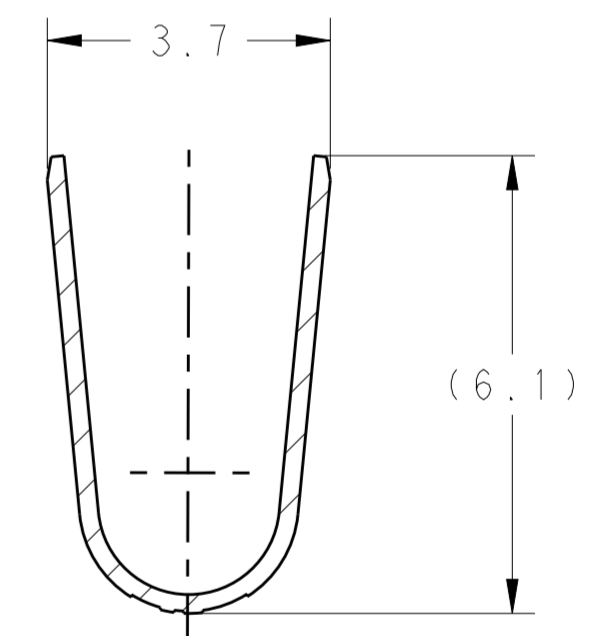
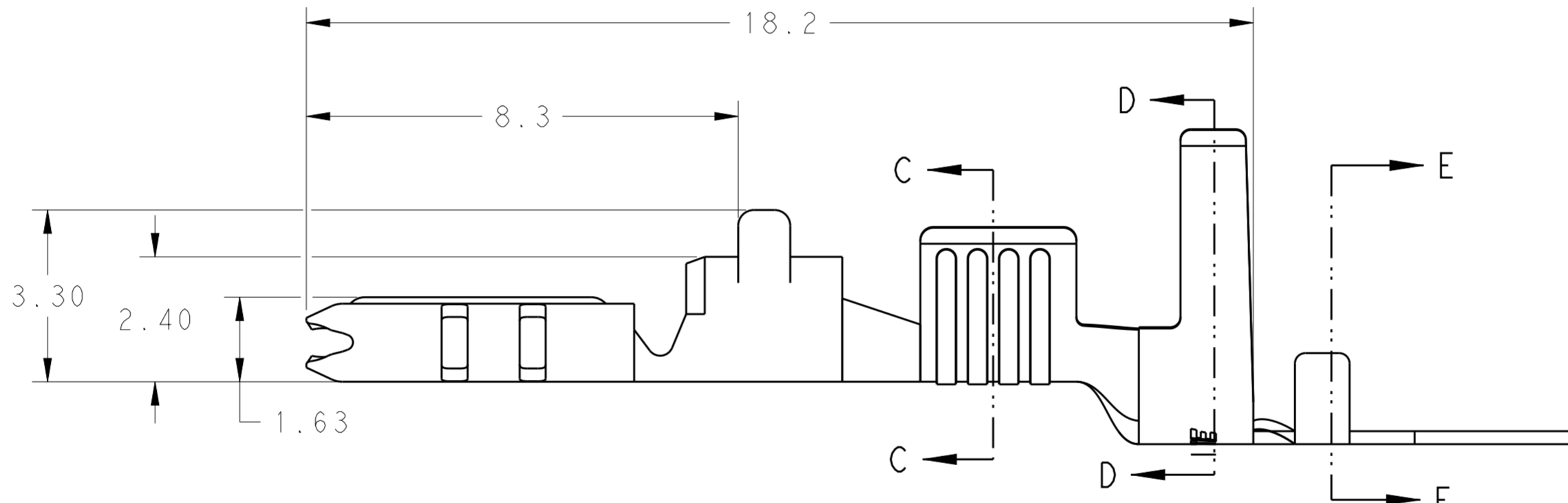
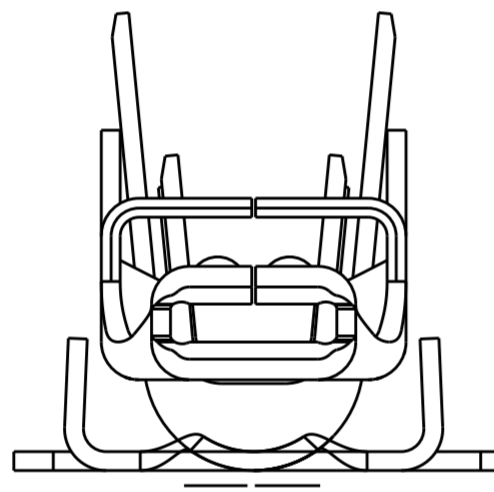
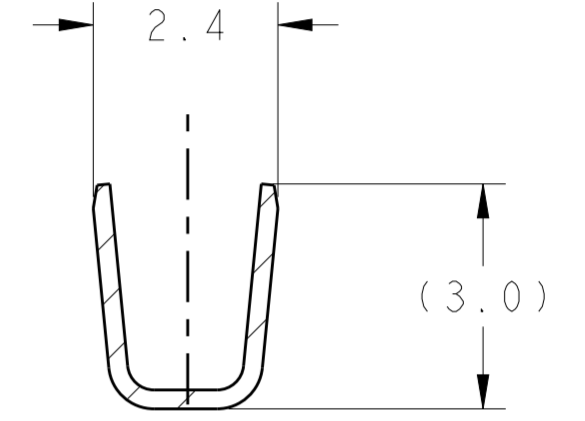
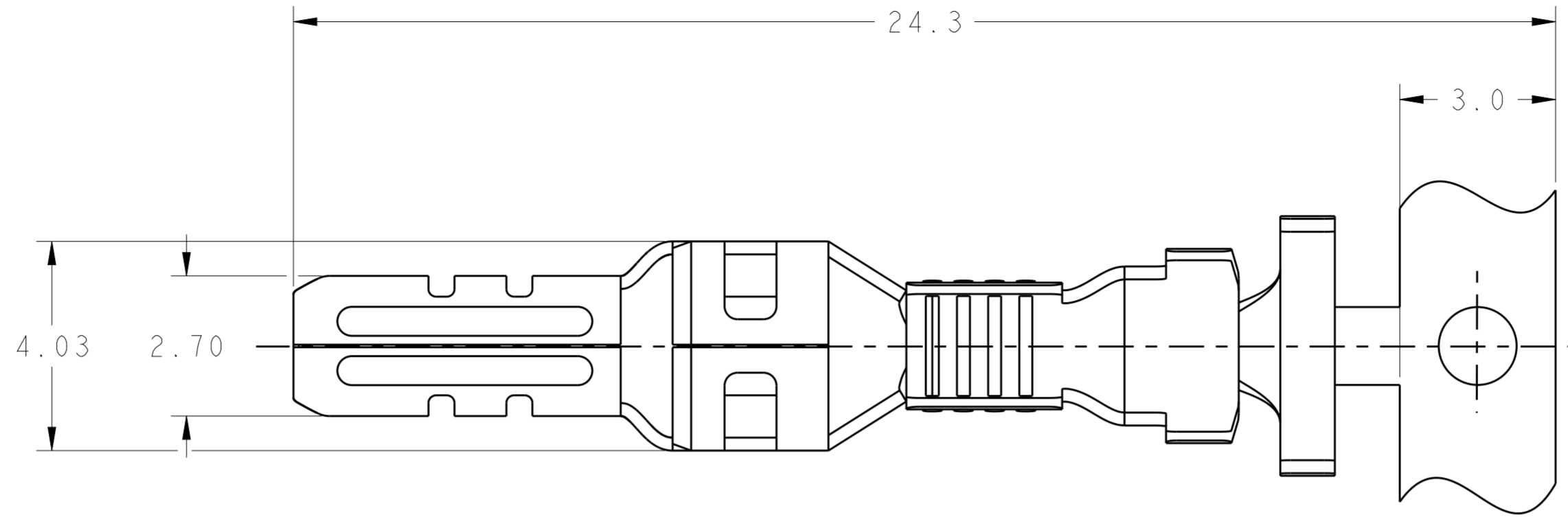
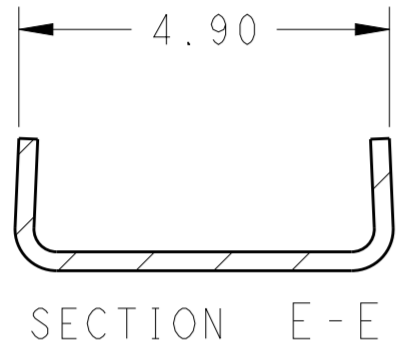
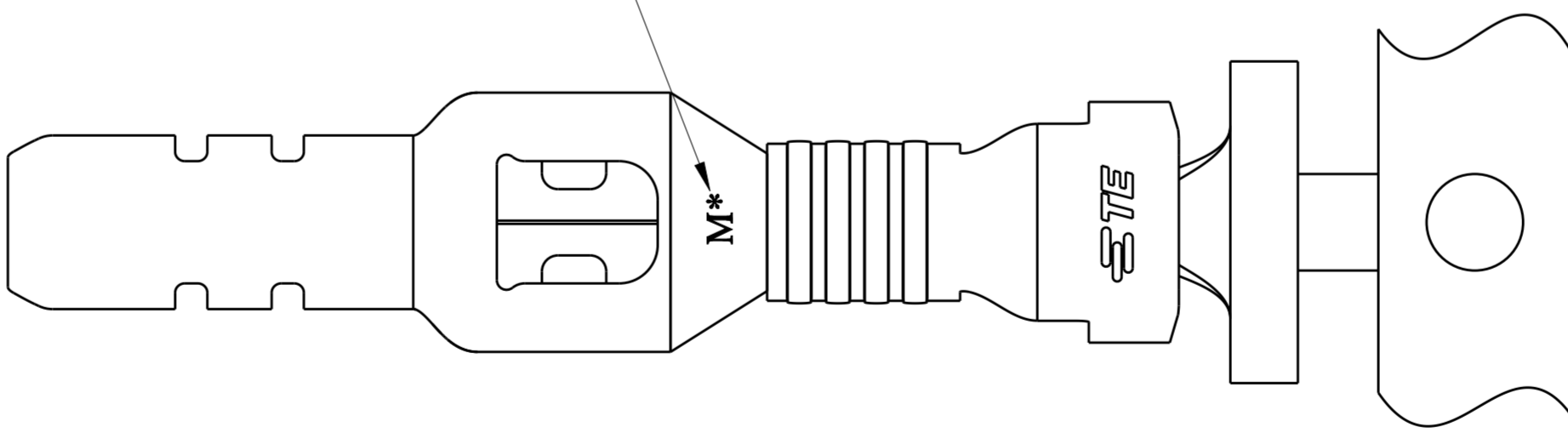


THIS DRAWING IS UNPUBLISHED. RELEASED FOR PUBLICATION 20
 © COPYRIGHT 20 BY - ALL RIGHTS RESERVED.

LOC	DIST	REVISIONS					
ES	00	P	LTR	DESCRIPTION	DATE	DWN	APVD
		C2		REVISED PER ECR-16-017426	19DEC2016	BW	RS



MATERIAL MARK



- 1 MATERIAL: COPPER ALLOY, PRE TIN PLATING
- 2 APPLICABLE WIRE RANGE: 2X20AWG COPPER STRANDED
3. APPLICABLE INSULATION DIAMETER: 2.40-2.70mm
- 4 APPLICABLE MATED CAP HOUSING P/N:
 -1971771-/*-1971774-*/*-1971874-*/
 -1971772-/*-1971775-*/*-1971875-*/
 -2232263-/*-2232264-*/*-2232356-*/
 -2232358-/*-2232359-*/*-2232360-*

5. This product has not completed validation testing.

HIGH(150°C)	M0	1971238-2
STANDARD(105°C)	M4	1971238-1
TEMP. RATING	MATERIAL MARK	PART NO

THIS DRAWING IS A CONTROLLED DOCUMENT.		DWN TOMMY WU 9AUG2012	STE TE Connectivity	
		CHK HAPYE WU 9AUG2012		
		APVD YUJHONG MAO 9AUG2012	NAME	
DIMENSIONS: mm		PRODUCT SPEC 108-106118	TAB CONTACT POWER TRIPLE LOCK	
TOLERANCES UNLESS OTHERWISE SPECIFIED:		APPLICATION SPEC 114-106118	SIZE CAGE CODE DRAWING NO RESTRICTED TO	
0 PLC ±0.5		WEIGHT -	A200779C-1971238	
1 PLC ±0.30		SCALE 5:1 SHEET 1 OF 1 REV C2		
2 PLC ±0.30		Customer Drawing		
3 PLC ±0.30				
4 PLC ±				
ANGLES ±				
FINISH				