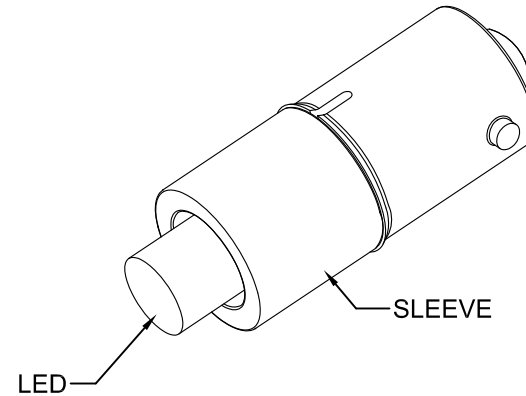
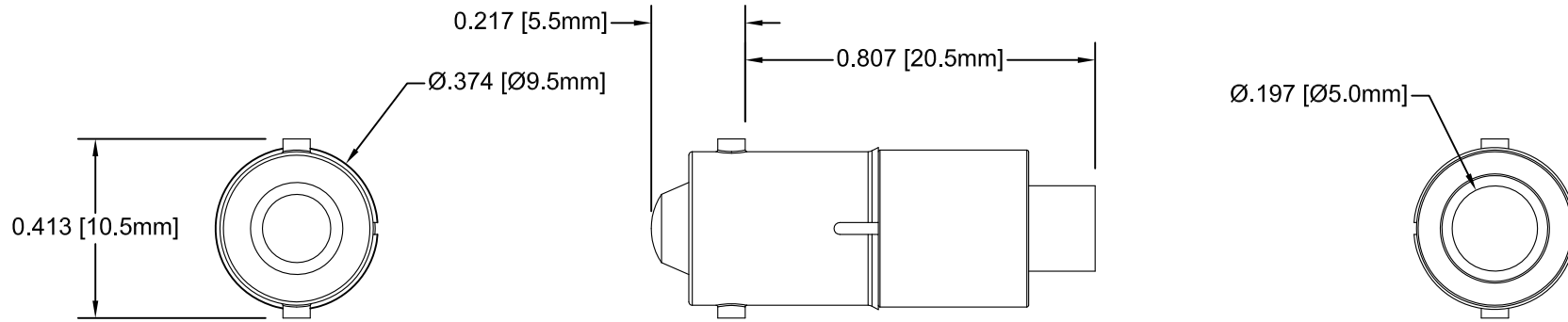

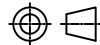


REV.	DESCRIPTION	DATE	APPROVED
A	Engineering Release	10/22/13	G. W.



NOTES:

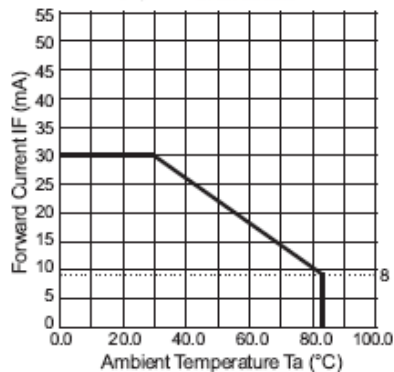
3. DIRECT REPLACEMENT FOR T3 ¼ BA9s BASED LAMPS
2. VOLTAGE OPERATING RANGE 8-48VAC/DC
1. DURABLE TO SHOCK AND VIBRATION

STANDARD TOLERANCE (UNLESS OTHERWISE SPECIFIED)		 BIVAR [®] 4 THOMAS, IRVINE, CA. 92618 TEL: (949) 951-8808 FAX: (949) 951-3974	
DECIMALS	ANGULAR		
.X ± .1	X° ± 1°		TITLE: 255 SERIES INCANDESCENT REPLACEMENT LEDS
.XX ± .02			
.XXX ± .010			
DESIGNED: Minh Doan	DATE: 10/22/13	PART NO: LFR-255X-XXX	REVISION: A
CHECKED: Alex Wright	DATE: 10/22/13	CAGE CODE : 32559	SHEET # 1 OF 2

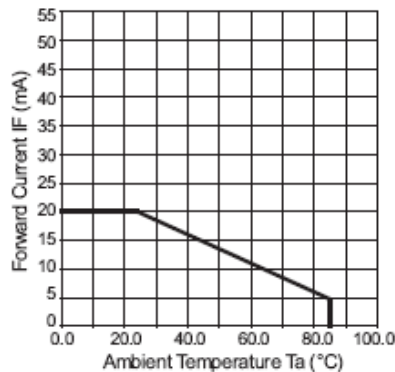
REV.	DESCRIPTION	DATE	APPROVED
	SEE SHEET #1		

DERATING CURVES

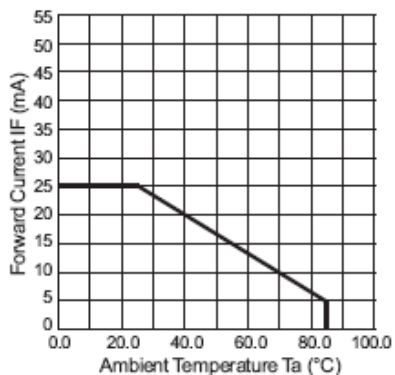
Derating Graph 1



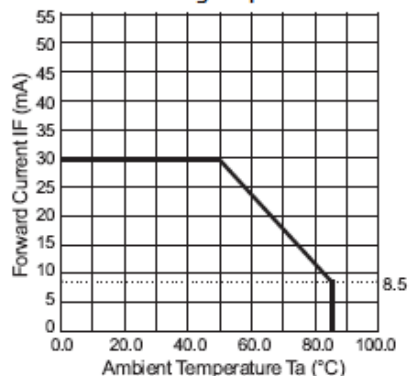
Derating Graph 2



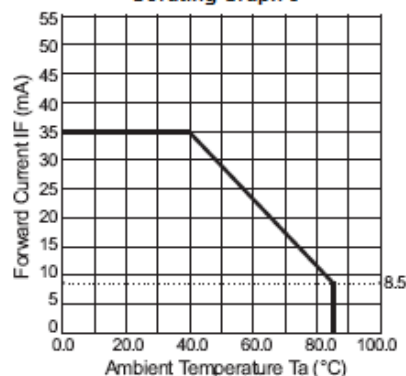
Derating Graph 3



Derating Graph 4



Derating Graph 5



Bivar Part Number	Wave Length λ_p (nm)	Emitted Color	Lens Appearance	Operating Voltage	Electro-Optical Data		Viewing Angle	De-rating Graphs
				Vopr (Vac/dc)	Current DC (mA)	Iv (mcd)		
				TYP	TYP	TYP		
LFR-255R48V	630	RED	CLEAR	8-48	10	600	120	2
LFR-255Y48V	585	YELLOW	CLEAR	8-48	10	600	120	2
LFR-255G48V	515	GREEN	CLEAR	8-48	10	800	120	3
LFR-255B48V	465	BLUE	CLEAR	8-48	10	230	120	5

Bivar Part Number	Chromaticity Coordinates	Emitted Color	Lens Appearance	Operating Voltage	Electro-Optical Data		Viewing Angle	De-rating Graphs
				Vopr (Vac/dc)	Current DC (mA)	Iv (mcd)		
				TYP	TYP	TYP		
LFR-255WW48V	X=0.4255~0.4680 Y=0.4000~0.4385	WARM WHITE	CLEAR	8-48	10	850	120	4
LFR-255CW48V	X=0.4255~0.4680 Y=0.4000~0.4385	COOL WHITE	CLEAR	8-48	10	785	120	1

ABSOLUTE MAXIMUM RATINGS (Ta = 25°C)

MAXIMUM POWER DISSIPATION _____ 625 mW
 OPERATING TEMPERATURE RANGE _____ -40°C ~ 85°C
 STORAGE TEMPERATURE _____ -40°C ~ 100°C

STANDARD TOLERANCE (UNLESS OTHERWISE SPECIFIED)		BIVAR [®]	4 THOMAS, IRVINE, CA. 92618 TEL: (949) 951-8808 FAX: (949) 951-3974
DECIMALS	ANGULAR		
DESIGNED: Minh Doan		DATE: 10/22/13	TITLE: 255 SERIES INCANDESCENT REPLACEMENT LED
CHECKED: Alex Wright		DATE: 10/22/13	PART NO: LFR-255X-XXX REVISION: A
		CAGE CODE : 32559	SHEET # 2 OF 2
CAD GENERATED DOCUMENT, DO NOT MEASURE DRAWING.			