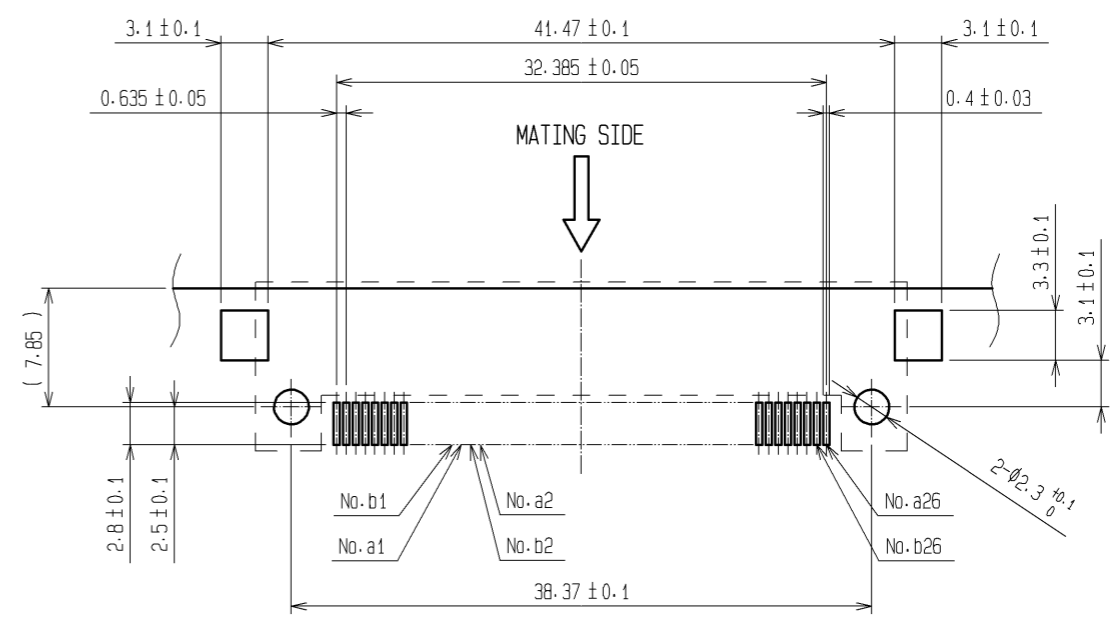
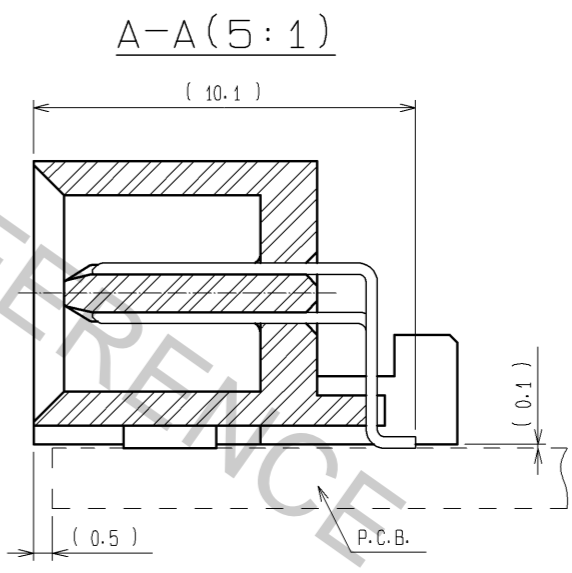


NOTE 1. LEAD CO-PLANARITY SHALL BE 0.1mm MAX.  
2. THE DIMENSIONS IN PARENTHESES ARE FOR REFERENCE.



RECOMMENDED P.C.B. LAND PATTERN  
MOUNT SIDE (THICKNESS OF APPLICABLE BOARD:  $t=1.6 \pm 0.1$ )  
(RECOMMENDED METAL MASK THICKNESS: 0.15mm)



3	BRASS	TIN-PLATING						CONTACT AREA : GOLD 0.2μm min.
1	POLYPHENYLENE SULFIDE	LIGHT BROWN (UL94V-0)		2	BRASS			LEAD AREA : TIN-PLATING 2μm min.
								UNDER PLATING : NICKEL 1μm min.
NO.	MATERIAL	FINISH . REMARKS	NO.	MATERIAL	FINISH . REMARKS			
UNITS mm		SCALE 2 : 1		COUNT	DESCRIPTION OF REVISIONS	DESIGNED	CHECKED	DATE
<b>HRS</b> HIROSE ELECTRIC CO., LTD.		APPROVED : HS. OKAWA 09.04.02	DRAWING NO. EDC3-150360-21					
		CHECED : HT. YAMAGUCHI 09.04.02	PART NO. FX2A-52P-0.635SH(71)					
		DESIGNED : SY. KAMIGA 09.04.02	CODE NO. CL572-2774-4-71					
		DRAWN : HK. SUNADORI 09.04.02						