

**Technical specification:**

Rated voltage: IEC 61076-2-101	4pos 250 V	5pos 60 V	8pos 30 V
Current rating: IEC 61076-2-101	4/5pos 4 A at 40°C	8pos 2 A at 40°C	
Insulation resistance: IEC 60512	>=100 MΩ		
Pollution degree: IEC 60664-1	3/2		
Degree of protection: IEC 60529	IP 67, in mated condition		
Temperature range: IEC 60664-1	-30°C ... +80°C		
Mating cycles: IEC 60512-9a	>=100		

**Materials:**

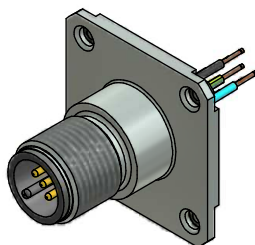
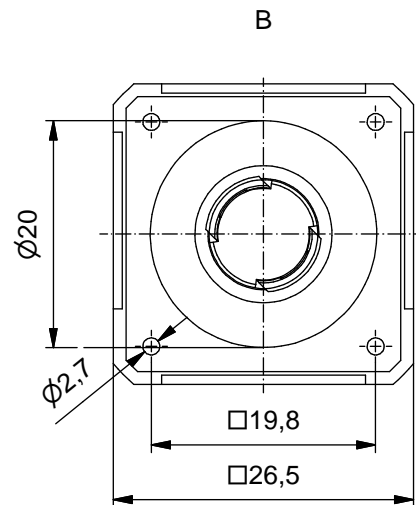
Contact:	CuZn
Contact plating:	Nickel, gold plated
Contact carrier:	PBT GF, UL 94
Sealing:	NBR
Socket housing:	CuZn, nickel plated
Grouting:	Polyurethane-resin, UL 94

**Contact assignment:**

- 1 brown
- 2 white
- 3 blue
- 4 black
- 5 green-yellow

**Contact assignment:**

- 1 white
- 2 brown
- 3 green
- 4 yellow
- 5 grey
- 6 pink
- 7 blue
- 8 red



Part no:	Description:	Pos	Length L:	Wire:
43-01351	SAL - 12 - FSV4 - 0,5 - 26	4	0,5m	AWG 24 PVC, UL
43-01352	SAL - 12 - FSV5 - 0,5 - 26	5	0,5m	
43-01353	SAL - 12 - FSV8 - 0,5 - 26	8	0,5m	
43-xxxxx	SAL - 12 - FSV... - ... - 26	x	x	

DO NOT ALTER CAD DRAWING BY HAND Directive 2002/95/EC RoHS compliant	Index: c 28.03.11 fro Ä3914 Data sheet revised, technical specification changed, Sleeve side B removed	dim. in mm	title: <b>Male socket M12x1 with wire, with square</b>		
	tolerance of wire: L ≤ 0,5m: L + 20mm L > 0,5m: L + 4%	drawn 07.10.08 Fromm	dwg no:		
	general tolerance: 0 ± 0,50mm 0,0 ± 0,25mm 0,00 ± 0,10mm	appd. 07.10.08 Mankopf	<b>43K1A750</b>		
	THIS DRAWING MAY NOT BE COPIED OR REPRODUCED IN ANY WAY, AND MAY NOT BE PASSED ON TO A THIRD PARTY WITHOUT WRITTEN PERMISSION. OWNERSHIP AND COPYRIGHT OF CONEC GmbH	<b>CONEC</b> ®		part no:	