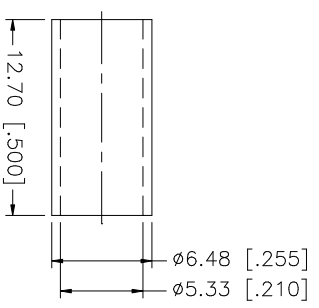
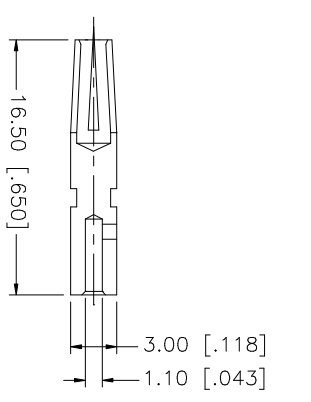
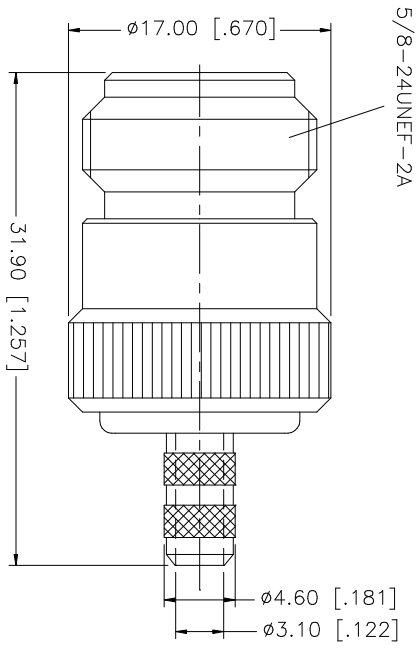
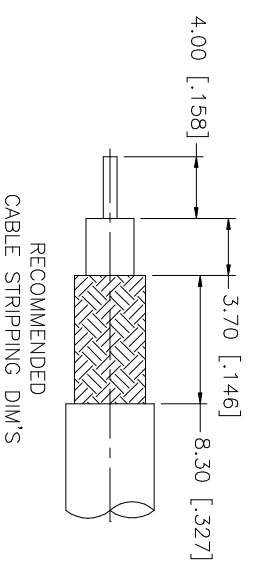


REV.	DATE	DESCRIPTION
A	04/31/03	UPDATE DRAWING FORMAT



NOTE:

1. CRIMPED FERRULE  
HEX CRIMP SIZE .213"
2. CRIMPED CONTACT PIN  
HEX CRIMP SIZE .100"

**Amphenol Connex**

N CRIMP JACK  
(FOR RG-58/U, 141/U CABLE)

1722103

UNLESS OTHERWISE SPECIFIED DIMENSIONS ARE IN MILLIMETERS DIMENSIONS IN INCHES ARE IN PARENTHESES AND FOR OBSOLETE REFERENCE ONLY	UNLESS OTHERWISE SPECIFIED TOLERANCES FOR MILLIMETERS ARE:	UNLESS OTHERWISE SPECIFIED TOLERANCES FOR INCHES ARE:	APPROVALS	DATE	PART DESCRIPTION	
0.5 - 8mm ± 0.20mm	0.20 - .315 = ± 0.007"	0.020 - .315 = ± 0.007"	DRAWN	04/31/03	PART NO. 1722103 DWG. NO. 1722103.DWG	
8 - 30mm ± 0.40mm	.315 - 1.180 = ± 0.015"	.315 - 1.180 = ± 0.015"	CHECKED			
30 - 120mm ± 0.50mm	1.180 - 4.724 = ± 0.020"	1.180 - 4.724 = ± 0.020"	ISSUED			
			SHEET	1 OF 1		
			CAD FILE	C:/1722/1722103.DWG		
1	FERRULE	COPPER	NEXCOTE	1		
2	CONTACT PIN	PHOS. BRONZE	GOLD			
3	INSULATOR	TEFLON	NATURAL			
4	BODY	BRASS	NEXCOTE	1		
DESCRIPTION	MATERIAL	FINISH	QTY	DO NOT SCALE DRAWING		
				REV. A	SIZE A	SCALE NA