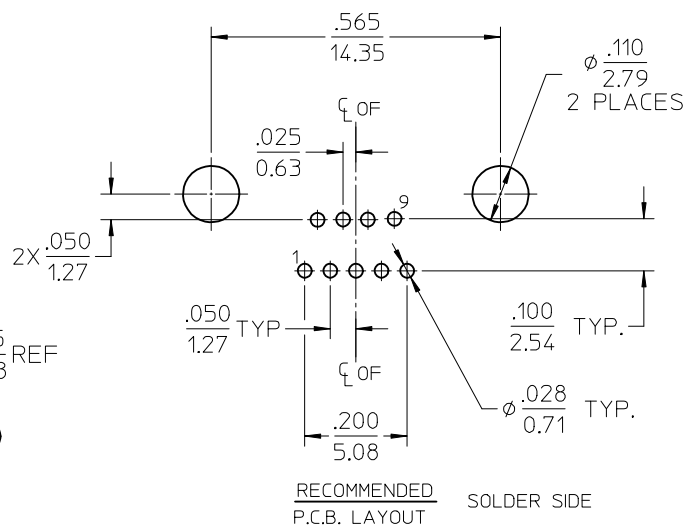
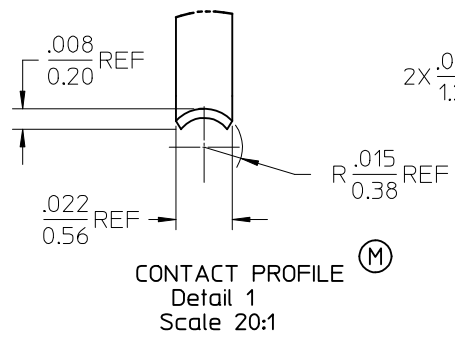
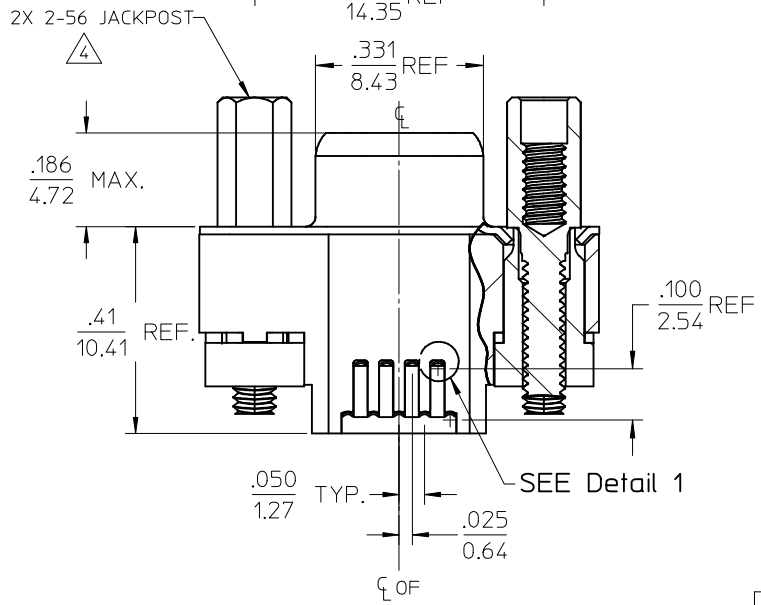
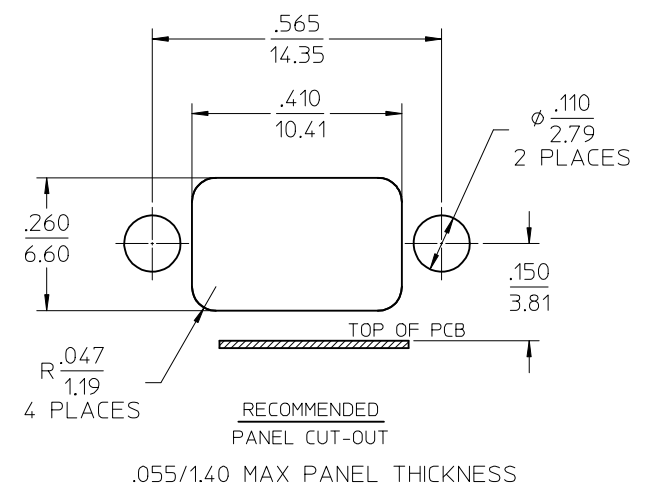
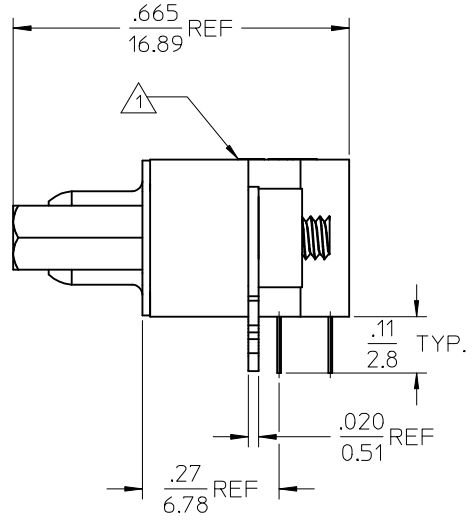
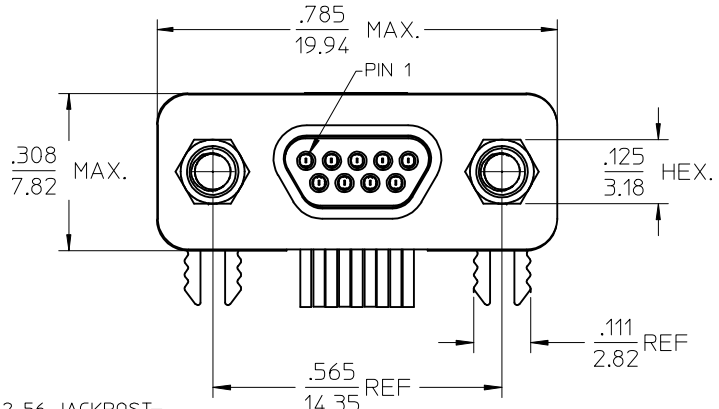


10	9	8	7	6	5	4	3	2	1
MATERIAL NO.	ENG. NO.								
836119006	83611-9006								
836119201	83611-9201								



- NOTES:
- 1. DATE CODE : 08(YR)XX(WEEK)C(CHINA)
  - 2. SEE PS-83421-9000
  - 3. ROHS COMPLIANT.
  - 4. 2.5 IN/LB TORQUE MAX.

ADD CONTACT PROFILE EC NO: IFG2013-0813 DRWN:RUPERT CHKD: APPR: J MURPHY REV M	DESCRIPTION 2012/11/30 2013/01/18	QUALITY SYMBOLS	GENERAL TOLERANCES (UNLESS SPECIFIED)	DIMENSION STYLE		SCALE	DESIGN UNITS	THIRD ANGLE PROJECTION	
		<p>▽=0</p> <p>∇=0</p>		mm	INCH	4:1	INCH		
			4 PLACES ± --- ± ---	DRAWN BY	DATE	TITLE			
			3 PLACES ± --- ± .005	JLOMASTR	04/09/21	CONN,COMMERCIAL-D,PLUG			
			2 PLACES ± 0.13 ± .010	CHECKED BY	DATE	RT ANGLE,JKPOST,SIZE 9			
			1 PLACE ± 0.25 ± ---	RDEROSS	04/09/28				
			ANGULAR ± 1 °	APPROVED BY	DATE	MOLEX INCORPORATED			
				RDEROSS	04/09/28	DOCUMENT NO.		SHEET NO.	
			DRAFT WHERE APPLICABLE MUST REMAIN WITHIN DIMENSIONS	MATERIAL NO. SEE CHART		SD-83611-001		1 OF 1	
				THIS DRAWING CONTAINS INFORMATION THAT IS PROPRIETARY TO MOLEX INCORPORATED AND SHOULD NOT BE USED WITHOUT WRITTEN PERMISSION					