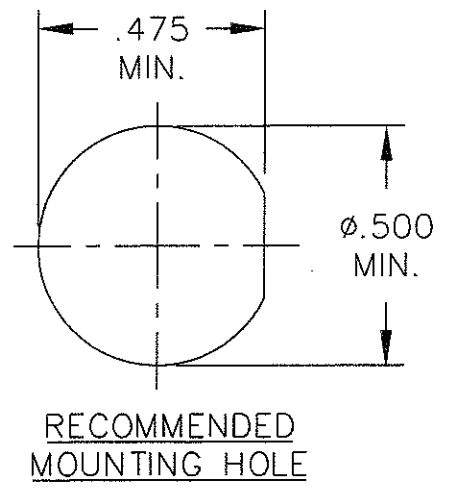
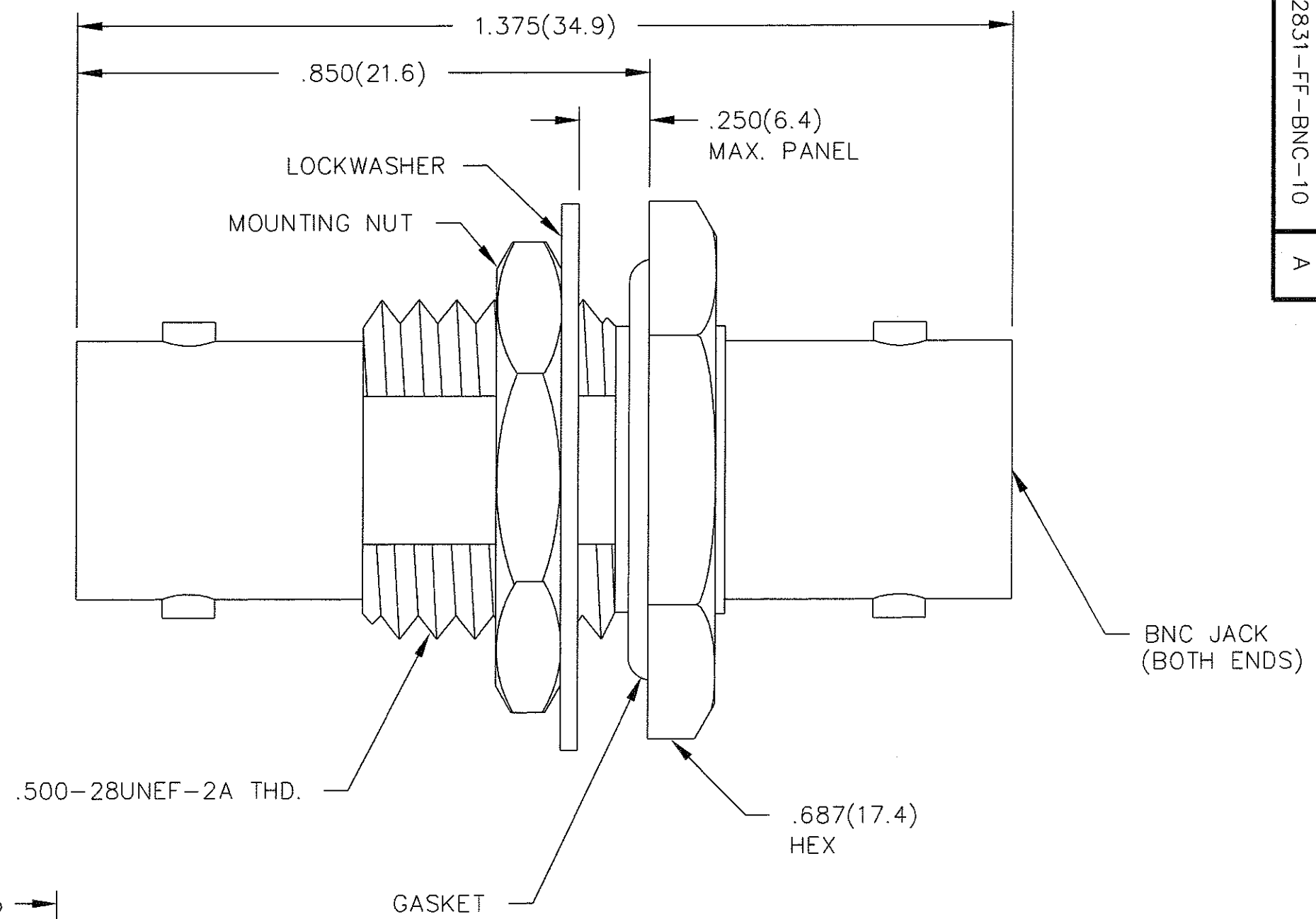


NOTES:

- 1.0 MATERIALS:
  - 1.1 HOUSING: HALF HARD BRASS PER ASTM B16
  - 1.2 NUT & WASHER: STAINLESS STEEL PER ASTM-A582, TYPE 303.
  - 1.3 CENTER CONTACT: BERYLLIUM COPPER ROD ALLOY C172, PER ASTM-B196.
  - 1.4 DIELECTRIC: PTFE FLUOROCARBON PER ASTM-D1457.
- 2.0 PLATING:
  - 2.1 HOUSING: NICKEL PER QQ-N-290
  - 2.2 NUT & WASHER: PASSIVATED PER MIL-F-14072 AND QQ-P-35
  - 2.3 CENTER CONTACT: GOLD PER MIL-G-45204 TYPE II, CLASS 2
- 3.0 MECHANICAL:
  - 3.1 INTERFACE PER MIL-STD-348 IN ACCORDANCE WITH MIL-A-55339, FIG. 301-2.
  - 3.2 CENTER CONTACT CAPTURED IN ACCORDANCE WITH MIL-A-55339.
- 4.0 ELECTRICAL:
  - 4.1 FREQUENCY RANGE: DC to 4.0 GHz
  - 4.2 VSWR: 1.15:1 MAX.
  - 4.3 IMPEDANCE: 50 OHMS
- 5.0 DIMENSIONS IN PARENTHESIS ARE IN MILLIMETERS.

ALL OTHER MECHANICAL, ELECTRICAL, AND ENVIRONMENTAL CHARACTERISTICS ARE IN ACCORDANCE WITH MIL-A-55339



UNLESS OTHERWISE NOTED DIMENSIONS ARE IN INCHES AND TOLERANCES ARE:		FSCM NO. <b>34078</b>		<b>MIDWEST MICROWAVE</b>	
3 PLACE DECIMALS ±.005		NOTICE: The information contained in this drawing is proprietary and must not be used without the permission of Midwest Microwave		TITLE ADAPTER - BNC JACK/JACK	
2 PLACE DECIMALS ±.02					
FRACTIONS ±1/64		DRAWN/DATE A. BEATTY 5/13/93		ENG./DATE A.J.O. 5/25/93	
PARALLELITY: T.I.R. _____		CHECKED/DATE M.H. 5/24/93		APPROVED/DATE	
FLATNESS: T.I.R. _____		DRAWING NUMBER ADT-2831-FF-BNC-10		SCALE: 5=1	
CONCENTRICITY: T.I.R. _____		SHEET 1 of 1			
ANGLES AND PERPENDICULARITY: ±1'					

DATE	5/25/93	3/5/01
DESCRIPTION	RELEASED	ECN 17863
REV.	-	A