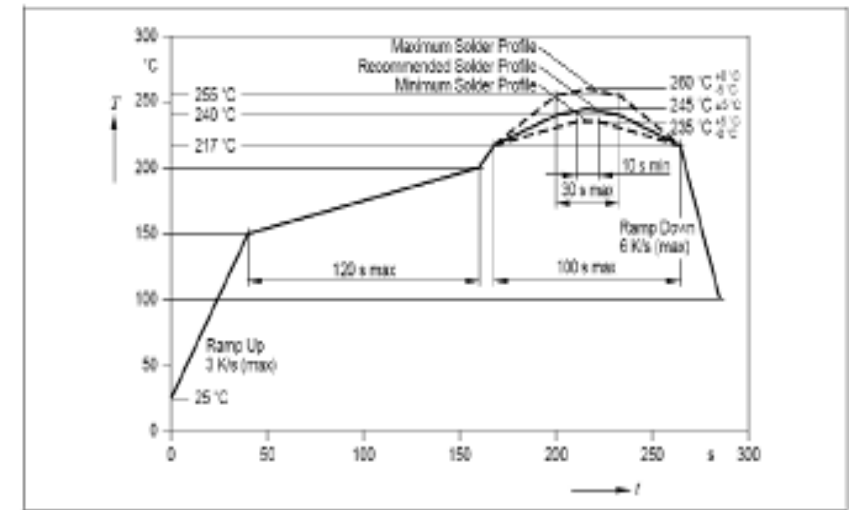
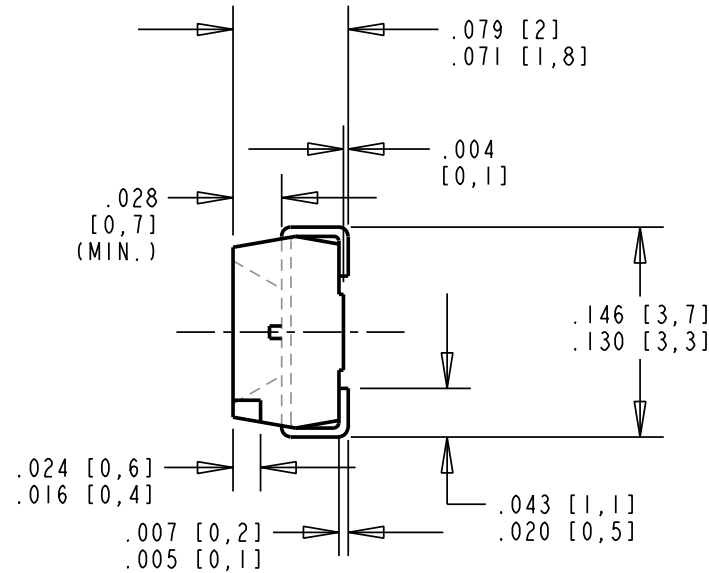
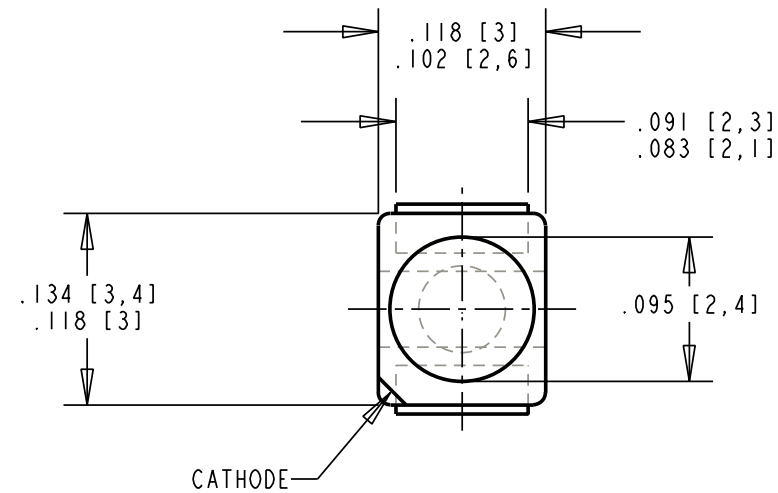
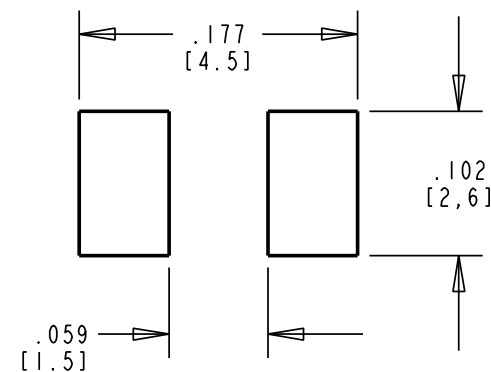


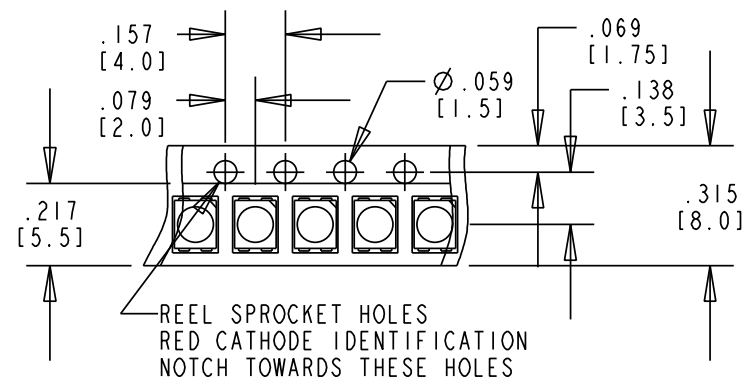
REV	ECN NO	REVISIONS	DRN	CKD	APP	DATE
A		NEW RELEASE	TWC			



RoHS COMPLIANT SOLDER REFLOW PROFILE



RECOMMENDED SOLDER PAD LAYOUT



TAPE & REEL CONFIGURATION

NOTES:

- EPOXY COLOR: WATER CLEAR.
- DIE: GaAsP/GaP (YELLOW LED).
- LEAD FINISH: TIN (Sn) OVER NICKEL (Ni) UNDERPLATING ON COPPER ALLOY (Cu) LEAD FRAME.
- SOLDER ADHERANCE: BOTH LEADS PER MIL-STD-202E, METHOD 208C.
- SUFFIX -202F FOR 20-PCS ON A SAMPLE TAPE STRIP.
- SUFFIX -207F FOR 180 mm DIA. REEL, 8 mm WIDE TAPE, PACKAGED 2000-PCS PER REEL WITH A PITCH OF 4 mm.
- DEVICES POSITIONED ON REEL WITH CATHODE SIDE TOWARDS SPROCKET.
- DIALIGHT P/N: 597-3401-202F, 597-3401-207F.
- TAPE AND REEL LEDS MAY REQUIRE RE-TAPING AFTER TWELVE MONTHS.
- THIS ASSEMBLY CONTAINS ELECTROSTATIC DISCHARGE SENSITIVE DEVICES (ESDS). MAINTAIN ALL PRECAUTIONARY MEASURES DURING ASSEMBLY, HANDLING AND STORAGE IN ACCORDANCE WITH IPC-A-610.

LED CHARACTERISTICS	MIN.	TYP.	MAX.	UNITS	TEST CONDITIONS
LUMINOUS INTENSITY	7.1	12.6	18.0	mcd	I _F = 10 mA
FORWARD VOLTAGE		2.0	2.5	V	I _F = 10 mA
REVERSE CURRENT		.01	10.0	mA	V _R = 5 V
PEAK WAVELENGTH		586		nm	
DOMINANT WAVELENGTH	580	587	595	nm	
VIEWING ANGLE (2 θ 1/2)		120		DEG.	I _F = 10 mA

ABSOLUTE MAXIMUM RATING AT 25°C AMBIENT	YELLOW	UNITS
POWER CONSUMPTION	95	mW
CONTINUOUS FORWARD CURRENT	30	mA
REVERSE VOLTAGE	5	V
OPERATING TEMPERATURE	-40 TO +100	°C
STORAGE TEMPERATURE	-40 TO +100	°C
SOLDERING TEMPERATURE @ 15 SEC	245	°C

RoHS Compliant 597-3401-20XF Surface Mount LED

Part Numbers with the "F" suffix ending are RoHS Compliant.

Example: 597-3401-207F

Packaging is marked with "RoHS Compliant" label or equivalent markings.

Parts can be reflow soldered per RoHS reflow profile, wave soldered, dip soldered or hand soldered using typical lead-free soldering process with max 260°C temp. for 10 sec.



ATTENTION:
OBSERVE PRECAUTIONS FOR
HANDLING ELECTROSTATIC
SENSITIVE DEVICES

THIS DRAWING AND THE CONTENTS HEREIN ARE CONFIDENTIAL AND THE SOLE PROPERTY OF DIALIGHT. REPRODUCTION OF THIS DRAWING OR CONSTRUCTION OF ANY PARTS WITHIN THIS DRAWING ARE FORBIDDEN WITHOUT THE WRITTEN CONSENT OF DIALIGHT.		
SCALE: DRAWING SCALE ALL DIM'S IN: INCHES (MM)	DRAWING NUMBER C-17406	REV A
TOLERANCES: UNLESS OTHERWISE SPECIFIED FRACTIONS: ±1/64 DECIMALS (.XX): ±.01 DECIMALS (.XXX): ±.005 DECIMALS (.XXXX): ±.0005 ANGLES: ±1°	TITLE YELLOW SMT PLCC-2 LED RoHS COMPLIANT	
FINISH:	MATERIAL	
FSCM 83330	Dialight 1501 ROUTE 34 SOUTH FARMINGDALE, NJ 07727	
	SHEET 1 OF 1	FAMILY TABLE: