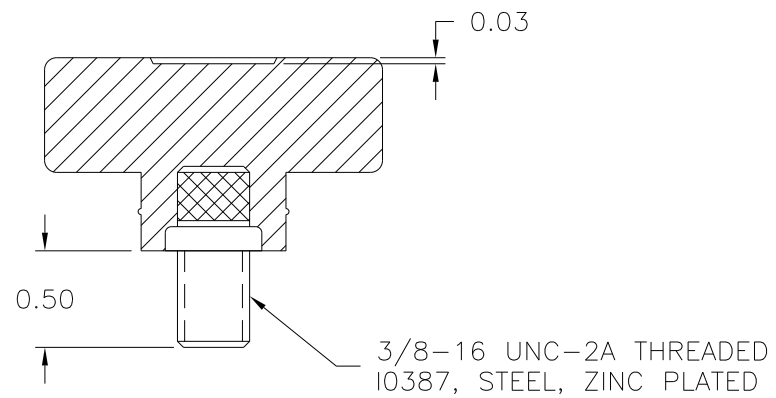
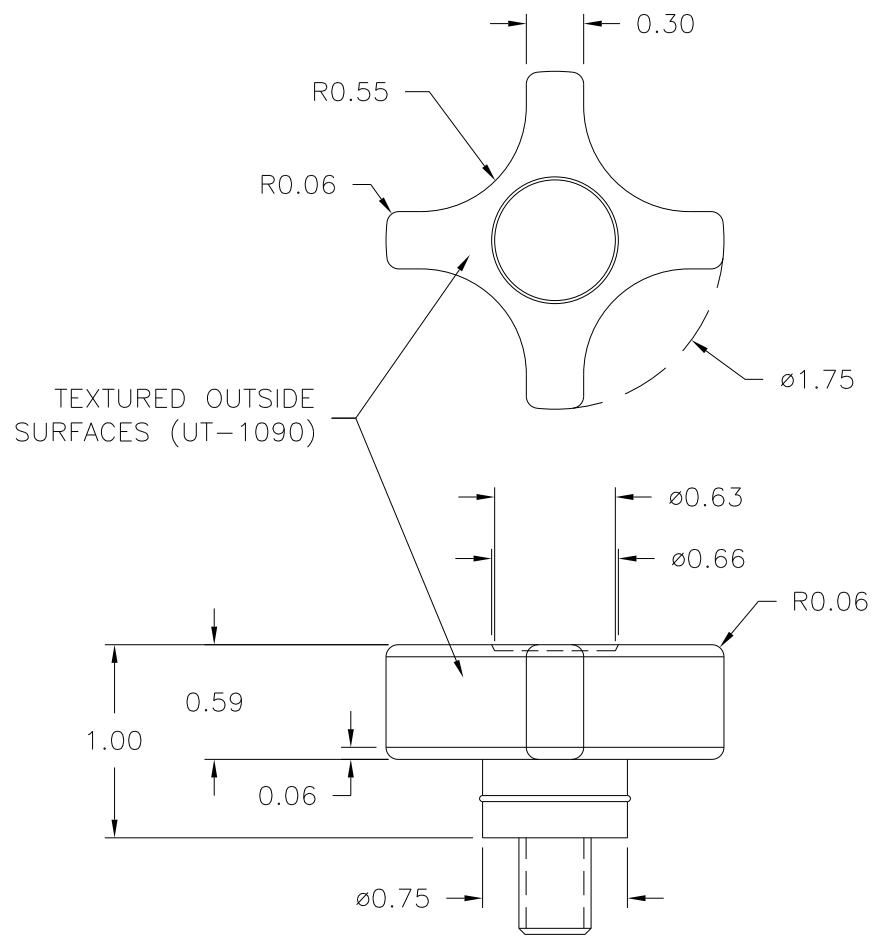


PART NAME: KNOB      SCALE: 1:1      DATE: 3/16/94      DR. BY HD

THIS DRAWING IS THE PROPERTY OF DAVIES MOLDING COMPANY, IS SUBMITTED SOLELY AS A DESIGN OR ENGINEERING PROJECT. WE ACCEPT NO RESPONSIBILITY WHATSOEVER FOR THE PRACTICAL APPLICATION OF THE PIECES MADE TO THIS DESIGN.



P/N	2825-E
M NO.	73
CAVITY	2825
CORE	2825
CAVITY PLUG	2825
SLEEVE	2825
PIN	2825-E
INSERT	10387



ⓑ MATERIAL: NYLON 6/6 (ZY2), (ZY6)  
 ⓐ OR ENGINEERING APPROVED EQUIVALENT  
 COLOR: BLACK

TOLERANCES: UNLESS OTHERWISE SPECIFIED	DO NOT SCALE DRAWING			
DECIMALS: X.XXX ± .005 X.XX ± .015	MM: X.XX ± 0.15MM X.X ± 0.4MM	B WAS CLC ADDED ZY6	JAM	6/25/12
		A ADDED MAT. CODE	JAM	12/28/06
		- REDRAWN	TL	11/22/99
FRACTIONS ± 1/64	ANG. ± 1°	CHANGES		