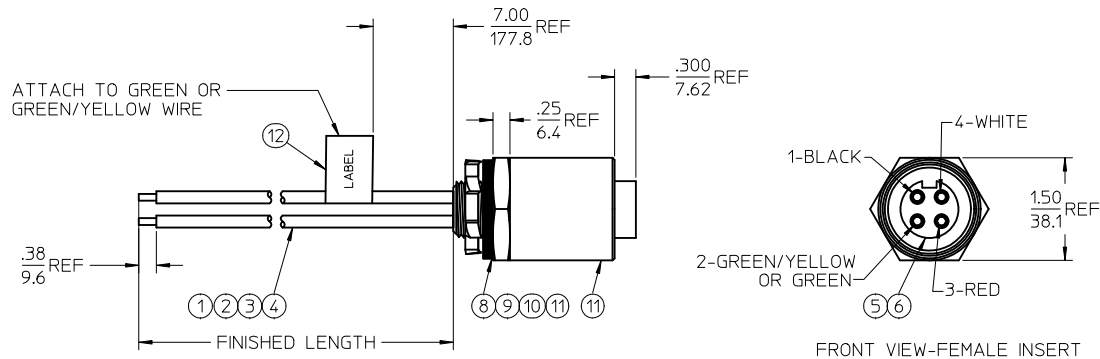


MATERIAL NO.	ENGINEERING NO.	FINISHED LENGTH
1300660237	CR4000A30M750	75 METERS
1300660165	CR4000A30M070	7 METERS
1300660164	CR4000A30M060	6 METERS
1300660163	CR4000A30M050	5 METERS
1300660162	CR4000A30M030	3 METERS
1300660160	CR4000A30M020	2 METERS
1300660159	CR4000A30M017	1.7 METERS
1300660158	CR4000A30M016	1.6 METERS
1300660157	CR4000A30M013	1.3 METERS
1300660156	CR4000A30M011	1.1 METERS
1300660154	CR4000A30M010	1 METERS
1300660153	CR4000A30M009	0.9 METERS
1300660152	CR4000A30M005	0.5 METERS
1300660150	CR4000A30M003	0.3 METERS
1300660149	CR4000A30A120	12 INCHES
1300662008	CR4000A30M040	4 METERS



NOTES:

1. MATERIAL: SEE TABLE
2. FINISHES: SEE TABLE
3. ELECTRICAL SPECIFICATIONS: 600 VOLTS 25 AMPS
4. FLAG LABEL LOCATED ON GREEN/YELLOW WIRE
5. ASSEMBLY IS ROHS COMPLIANT
6. ASSEMBLY IS UL LISTED PER SUB 2237, CATEGORY PVVA, E258922

CUSTOMER PRODUCTION APPROVAL
 APPROVED BY: _____
 DATE: _____
 MUST BE SIGNED AND RETURNED BEFORE
 PRODUCTION WILL BEGIN.

ITEM	QTY	DESCRIPTION	MATERIAL	FINISH
12	1	FLAG LABEL	VINYL	YELLOW
11	1	LOCK NUT	STEEL	ZINC PLATED
10	1	GASKET	NEOPRENE	BLACK
9	A/R	EPOXY HARDENER		BLACK
8	A/R	EPOXY RESIN		BLACK
7	1	RECEPTACLE SHELL	ALUMINUM ALLOY	ANODIZED
6	1	FEMALE INSERT	PVC	BLACK
5	4	SOCKET CONTACT	COPPER	GOLD PLATED
4	SEE TABLE	#10-1 WIRE THN	PVC JACKET	RED
3	SEE TABLE	#10-1 WIRE THN	PVC JACKET	GREEN OR GRN/YEL
2	SEE TABLE	#10-1 WIRE THN	PVC JACKET	WHITE
1	SEE TABLE	#10-1 WIRE THN	PVC JACKET	BLACK

UPDATE NOTES EC NO: WNA2011-0552 DRWN: BRUPERT 2011/11/14 CHKD: APPR: JFMURPHY 2012/03/20	QUALITY SYMBOLS ▽=0 ▽=0	GENERAL TOLERANCES (UNLESS SPECIFIED)		DIMENSION STYLE IN/MM	SCALE INCH	DESIGN UNITS INCH	THIRD ANGLE PROJECTION		
		4 PLACES ± --- ± ---	3 PLACES ± --- ± .005	DRAWN BY BRUPERT	DATE 2011/11/14	TITLE QC FEM 1/2" NPT S 4 POLE AC RECEPTACLE			
		2 PLACES ± 0.13 ± .010	1 PLACE ± 0.25 ± .020	APPROVED BY JFMURPHY	DATE 2012/03/20	MOLEX INCORPORATED			
		ANGULAR ± 1/2°		MATERIAL NO. SEE CHART		DOCUMENT NO. SD-130066-025		SHEET NO. 1 OF 1	

DRAFT WHERE APPLICABLE MUST REMAIN WITHIN DIMENSIONS

SIZE C THIS DRAWING CONTAINS INFORMATION THAT IS PROPRIETARY TO MOLEX INCORPORATED AND SHOULD NOT BE USED WITHOUT WRITTEN PERMISSION