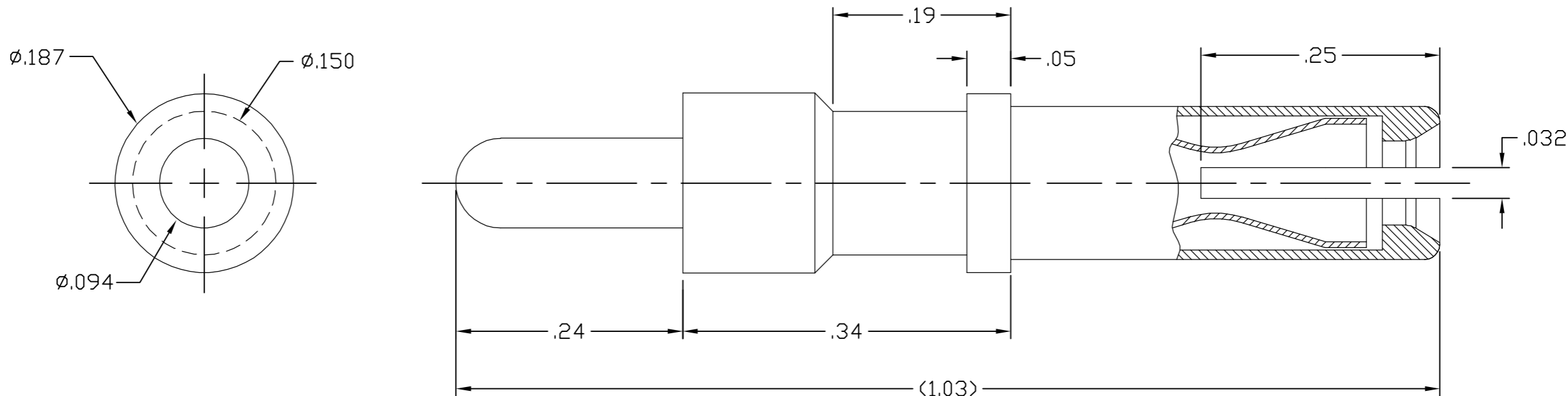


This drawing involves proprietary design rights of Tyco Electronics Corporation, and all design, manufacture, reproduction, use and sale rights regarding the same are expressly reserved. It is submitted for a specific purpose and the recipient by accepting this drawing, assumes custody and control and agrees to take reasonable precautions; (a) that this drawing will not be copied and reproduced, in whole or in part, or its contents revealed in any manner, or to any person except to meet the purpose for which it was delivered and (b) that any special features peculiar to this design will not be incorporated in other projects without the expressed written permission of Tyco Electronics Corporation.

REVISIONS			
EC	REV	DESCRIPTION	DATE
CPR	B	NEW RELEASE	3/27/07



4. ELCON EQUIVALENT SERIES 708-77-01109.

3. FINISHES:

SOCKET CONTACT: GOLD PLATE, .000010 MIN THICK
OVER NICKEL, .000040 MIN THICK

CROWN BAND: GOLD PLATE, .000030 MIN THICK
OVER NICKEL, .000040 MIN THICK

HOOD: GOLD PLATE, .000010 MIN THICK OVER
NICKEL, .000075 MIN THICK

2. MATERIAL:

SOCKET CONTACT: COPPER ALLOY.

CROWN BAND: COPPER ALLOY.

HOOD: COPPER ALLOY.

1. PART NUMBER CHANGES AND OR DESIGN CHANGES AFFECTING ITEM INTERCHANGEABILITY REQUIRE PRIOR TYCO APPROVAL AND AUTHORIZATION BY REVISION TO THIS DRAWING.

NOTES: UNLESS OTHERWISE SPECIFIED

TYCO PART NUMBER

1648387-1

<p>INCH OR INCH (MM)</p> <p>THIRD ANGLE PROJECTION</p> <p>UNLESS OTHERWISE SPECIFIED DIMENSIONS ARE IN INCHES (METRIC)</p> <p>TOLERANCES</p> <p>ANGLES ± .5°</p> <p>DECIMALS</p> <p>.XXX ± .010 (.25)</p> <p>.XX ± .02 (.5)</p>	DRAWN R. F. A.	DATE 3/17/06	<p>tyco Tyco Electronics Corporation Electronics Menlo Park, Ca 94025</p> <p>ELCON</p> <p>TITLE CONTACT, SOCKET, SIZE #12 PCB TAIL, HOT PLUG</p> <p>SIZE DWG NUMBER REV. B C-1648387 B</p>
	CHECKED		
	APPROVED S. FLICKINGER		
	DCA APPROVED		
ACAD FILE NUMBER		C1648387A.DWG	DWG SCALE 8=1 SH 1 OF 1