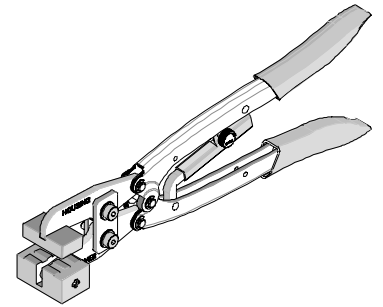




**Operating Instruction Sheet
For 19285-0074 (Ratchet Hand Tool)
For SC Power Connectors
Product Nos. 19403-1011 and 19403-1010
19045-1000, 19401-1000, 19402-1000,
19402-1010 and 19402-1011**



FEATURES

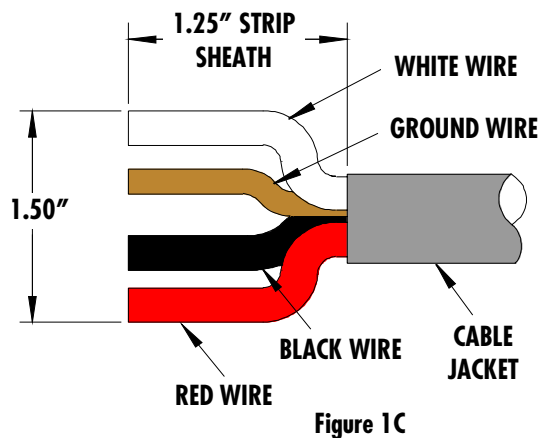
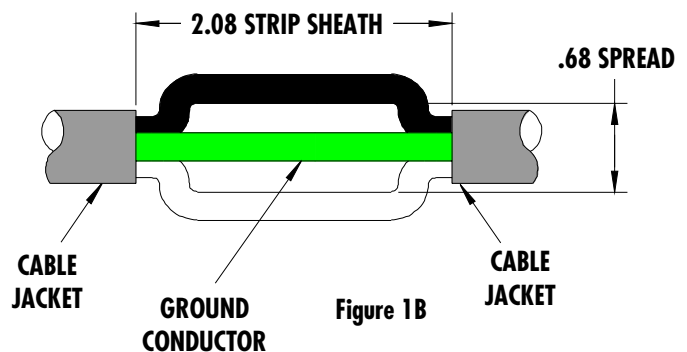
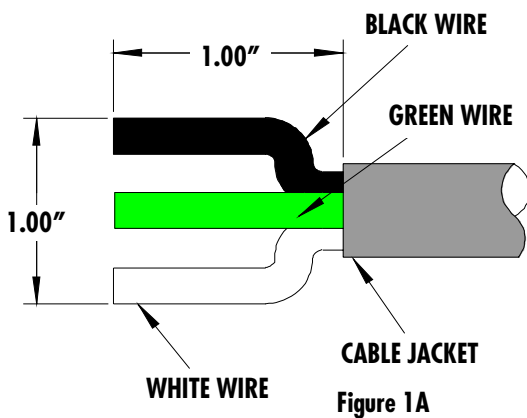
- Ratchet mechanism to insure full stroke.
- Cushioned Handles
- Dedicated tooling for quality assembly.
- One tool used to assemble all of the above connector assemblies.

SCOPE

Self-contained power connector assemblies for 12-16 AWG wire.

OPERATION

1. Strip cable jacket and pre-form the wires as shown in Figure 1A. For tap connector cable prep, see Figure 1B. For 3 circuit version on cable prep, see Figure 1C.



- Position the clear cover (bottom facing upward) as shown in Figure 2.

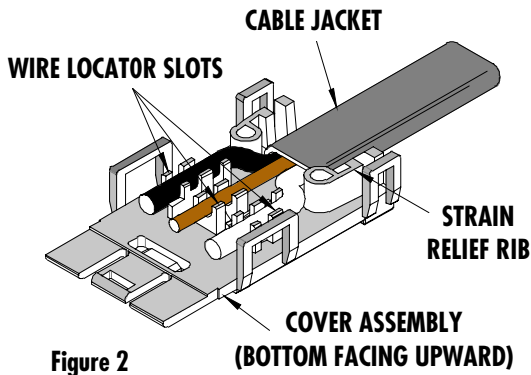


Figure 2

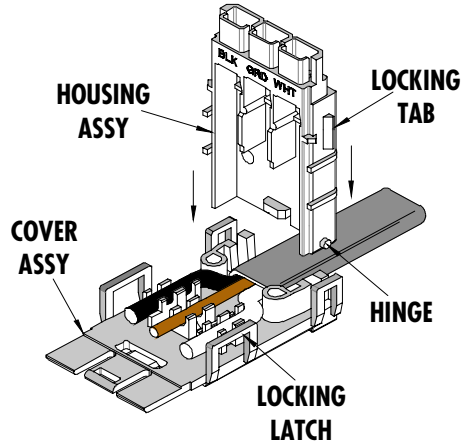


Figure 3

- Position wires into locator slots. Be certain to place black wire in slot marked BLK, green or bare wire in slot marked GRD, and the white wire in the third slot. Upon final positioning of all wires, be certain the end of the cable jacket is a minimum of .06" past the second strain relief rib as shown in Figure 2.

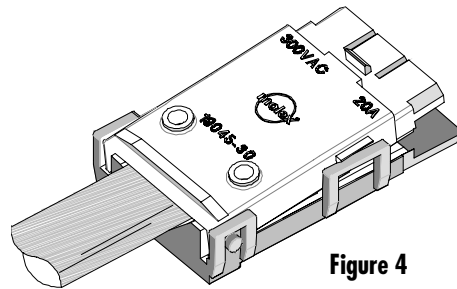


Figure 4

- Position the hinge pins on the housing assembly into the mating holes in the cover as shown in Figure 3 and push down.
- Place the connector assembly on the lower nest by positioning the connector slots over the lower nest locator tabs as shown in Figure 5.

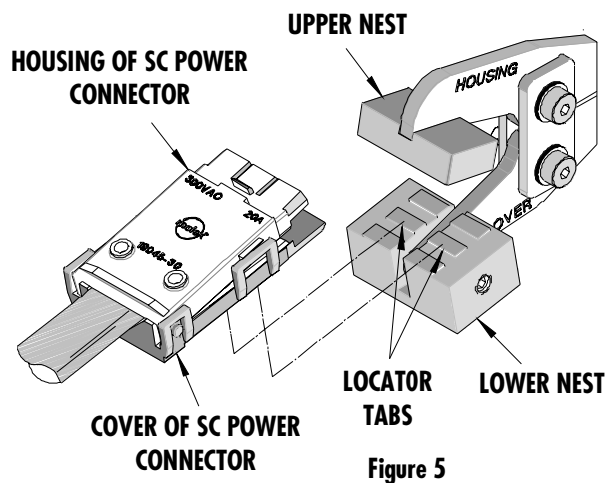


Figure 5

6. With the connector in position as shown in Figure 6, push the handles together simultaneously until fully closed and the latches are fully seated. In some instances a second squeeze is necessary to set both latches, especially on wider connectors.
7. Open and remove the terminated connector assembly.
8. For all Tap Connectors insert the connector as shown in Figure 7, then squeeze the handle until both latches are closed. Open and remove the terminated connector assembly.

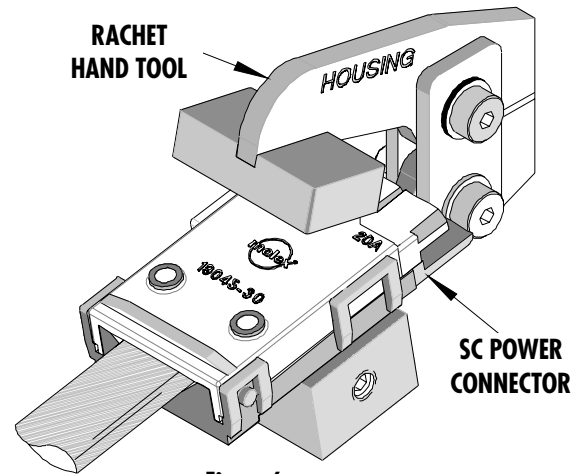


Figure 6

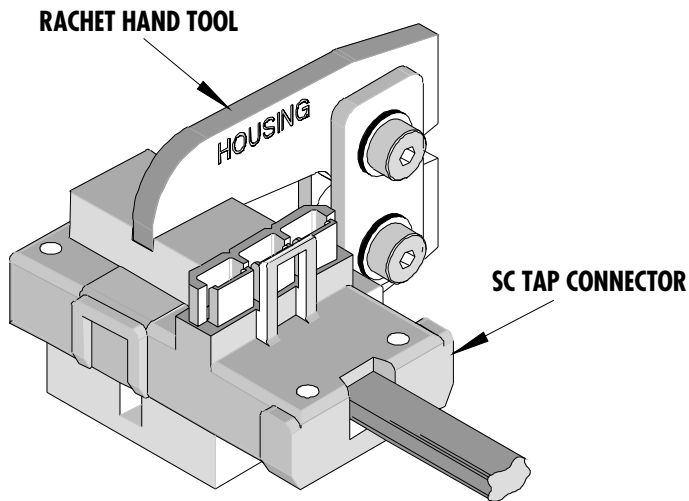


Figure 7

PARTS LIST

Item	Order No.	Description	QTY
	19285-0074	Ratchet Hand Tool (Fig 8)	REF
1	19285-0280	SC Power Head Assembly	1
2	63810-0700	Handle	1
3	19285-0270	SC Power Head Tool Kit	1
Tool Kit Only			
4	19285-0066	Nest-Upper	1
5	19285-0067	Nest-Lower	1
6	N/A	#1/4-20 by 3/8" Long SHSS (Cup point)	2**
7	N/A	#4-40 by 3/8" Long FHCS	2**
8	N/A	3/16 Dia. by 3/4" Long Dowel Pin	1**

** The following purchased parts are available from an Industrial supply company such as MSC 1-800-645-7270.

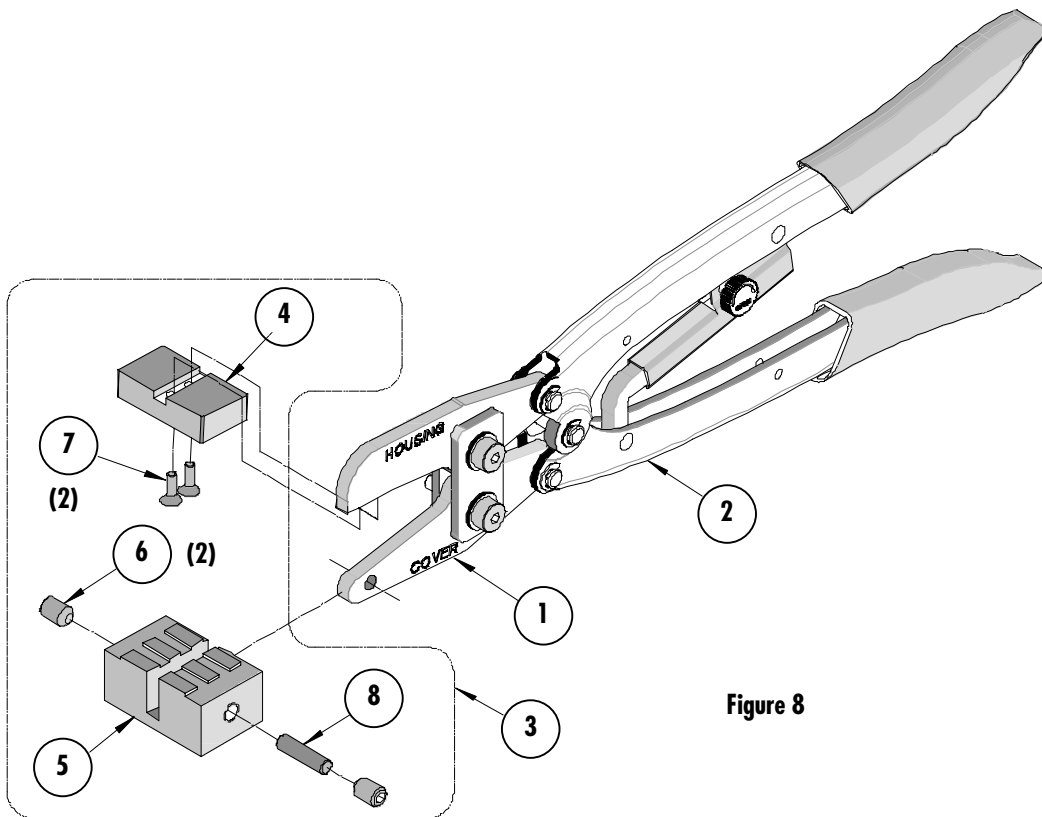


Figure 8

Molex Application Tooling Group
 1150 E. Diehl Road
 Naperville, IL 60563
 (630) 969-4550; FAX (630) 505-0049