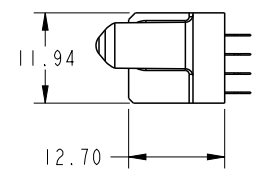
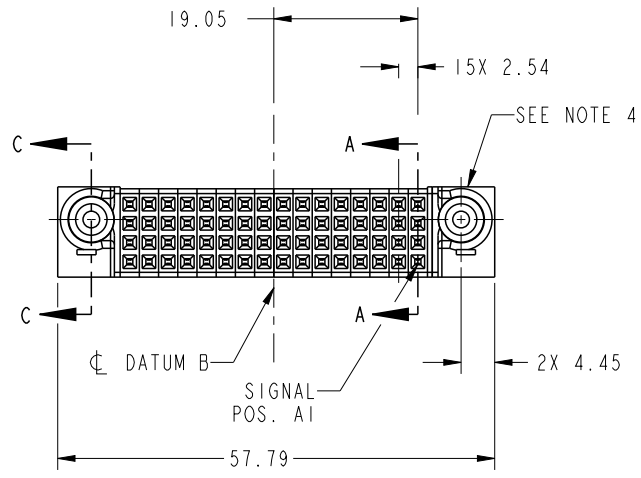


PRODUCT NO. 51940-428_- NOTE: 3	ROWS D C B A	SIGNAL															
		E2	16	15	14	13	12	11	10	9	8	7	6	5	4	3	2



Copyright FCI.

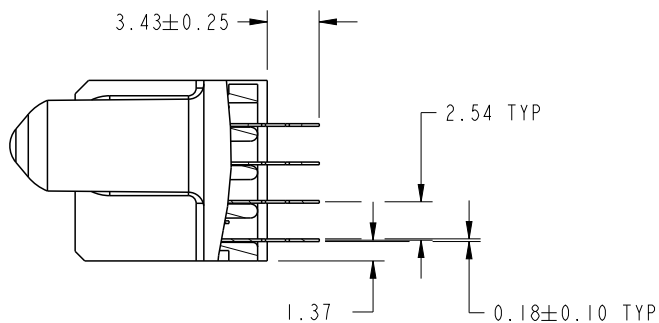
CODE	DIM "M" MATING LENGTH	CONTACT TYPE
F	[N/A]	SIGNAL

spec ref	*	dr	Shi Guang	2012/04/20	projection	MM	size	A4	scale	1:1												
tolerance std	TOLERANCES UNLESS OTHERWISE SPECIFIED	eng	Luo Weller	2013/03/06			ecn no	-														
SEE NOTE		chr	-	-																		
surface	<table border="1"> <tr><td>linear</td><td>0.X</td><td>±0.5</td></tr> <tr><td></td><td>0.XX</td><td>±0.25</td></tr> <tr><td></td><td>0.XXX</td><td>±0.1</td></tr> <tr><td>angular</td><td>0°</td><td>±2°</td></tr> </table>	linear	0.X	±0.5		0.XX	±0.25		0.XXX	±0.1	angular	0°	±2°	appr	Pei-Ming Zheng	2013/03/06	product family	PwrBlade		rel level	Released	
linear		0.X	±0.5																			
		0.XX	±0.25																			
	0.XXX	±0.1																				
angular	0°	±2°																				
				title	64 S			dwg no	51940-428		rev	A										
		www.fci.com		cat. no.	*	Product - Customer Drw			sheet 1 of 4													

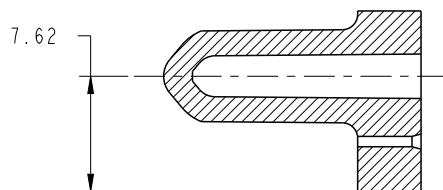
PrdE File - REV C - 2009-06-09

PRODUCT NUMBER

51940-428__
NOTE: 3



SECTION A-A
SCALE 2:1

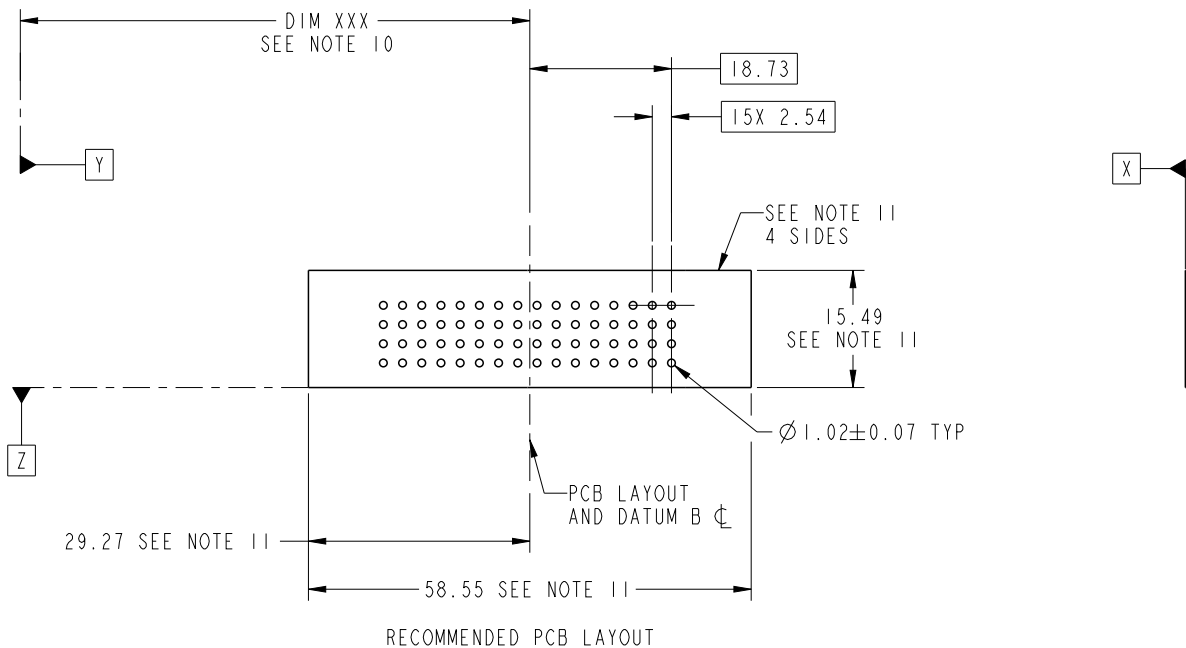


SECTION C-C
SCALE 2:1

dr	Shi Guang	2012/04/20	projection 	MM 	size	A4	scale	1:1		
eng	Luo Weller	2013/03/06			ecn no	-				
chr	-	-			product family	PwrBlade	rel level	Released		
appr	Pei-Ming Zheng	2013/03/06			title	64 S	dwg no	51940-428	rev	A
www.fci.com		cat. no.	*	Product - Customer Drw			sheet 2 of 4			

PRODUCT NUMBER

51940-428__
NOTE: 3



dr	Shi Guang	2012/04/20	projection 	MM ←————→	size	A4	scale	1:1
eng	Luo Weller	2013/03/06			ecn no	-		
chr	-	-						
appr	Pei-Ming Zheng	2013/03/06	product family	PwrBlade	rel level	Released		
	title	64 S		dwg no	51940-428		rev	A
www.fci.com	cat. no.	*	Product - Customer Drw			sheet 3 of 4		

PRODUCT NUMBER

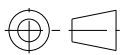
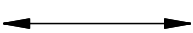

51940-428__
NOTE: 3

NOTES:

1. DIMENSIONS AND TOLERANCES ARE IN ACCORDANCE WITH ASME Y14.5M, 1994 UNLESS OTHERWISE SPECIFIED.

CONNECTOR NOTES:

- 2 HOUSING MATERIAL: UL 94 V-0 GLASS FILLED HIGH-TEMP THERMOPLASTIC
POWER CONTACT MATERIAL: COPPER ALLOY
SIGNAL PIN MATERIAL: COPPER ALLOY
 - 3. SEE ITEM 7 & 8 IN PRINT 10064183 FOR PLATING SPEC OF 51940-428 AND 51940-428LF RESPECTIVELY.
 - 4 MANUFACTURER'S NAME, DATE CODE AND OPTIONAL P/N TO APPEAR ON THIS SURFACE. THE P/N CAN BE OMITTED IF THERE IS NOT ENOUGH SPACE ON THIS SURFACE.
 - 5. PRODUCT SPECIFICATION GS-12-149.
APPLICATION SPECIFICATION BUS-20-067.
 - 6. PACKAGED IN TRAYS.
- PCB NOTES:
- 7. ALL HOLE DIAMETERS ARE FINISHED HOLE SIZE.
 - 8 MOUNTING HOLES, WHERE APPLICABLE, ARE UNPLATED.
 - 9 $\varnothing 1.151 \pm 0.025$ DRILLED HOLES PLATED WITH
0.008 MIN SnPb OR Sn OVER 0.03
TO 0.08 Cu PLATING TO ACHIEVE
 $\varnothing 1.02 \pm 0.07$ HOLE.
 - 10 "DIM XXX" TO BE DETERMINED BY THE CUSTOMER.
 - 11 CONNECTOR KEEP-OUT ZONE.
 - 12. THE VOID CORING IN BETWEEN POWER MODULES, SIGNAL MODULES AND END MODULES ARE OPTIONAL AND THE SHAPE MAY BE DIFFERENT FOR OPTIMIZE THE MOLDING PROCESS. THE VOID CORING WILL NOT EFFECT TO PRODUCT FUNCTION.

dr	Shi Guang	2012/04/20	projection 	MM 	size	A4	scale	1:1		
eng	Luo Weller	2013/03/06			ecn no	-				
chr	-	-			product family	PwrBlade	rel level	Released		
appr	Pei-Ming Zheng	2013/03/06			title	64 S	dwg no	51940-428	rev	A
www.fci.com		cat. no.	*	Product - Customer Drw			sheet 4 of 4			