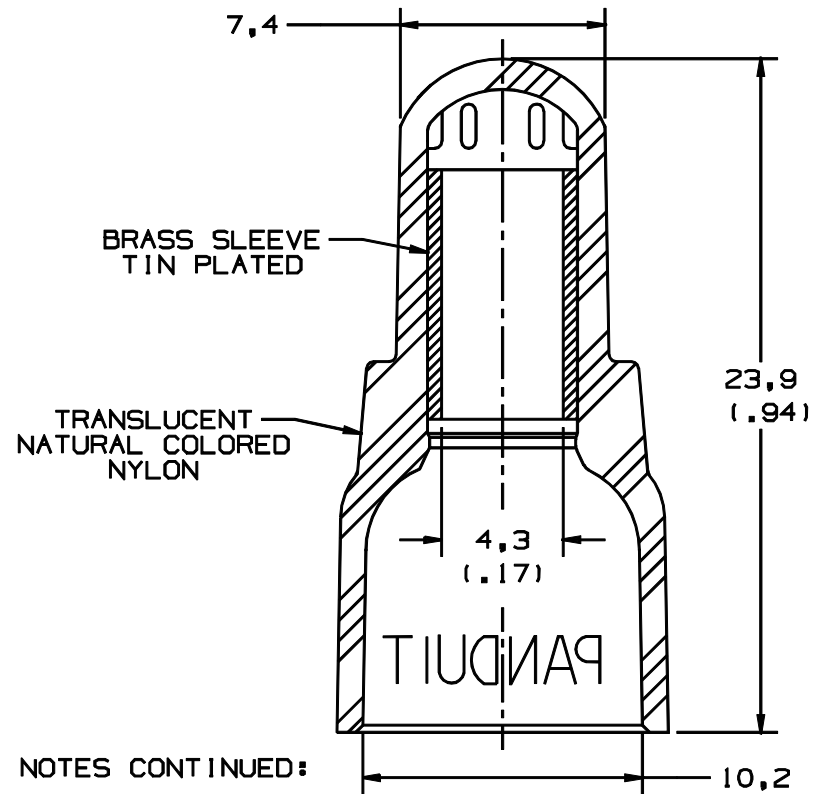


WIRE COMBINATION CHART FOR JM6
WIRE JOINT

WIRE SIZE mm ²	NO. OF WIRES	NUMBER OF ADDITIONAL WIRES OF ONE SIZE					
		0,75mm ²	1,0mm ²	1,5mm ²	2,5mm ²	4,0mm ²	6,0mm ²
0,75	1	3-8	3-6	2-4	1-2	1	1
	2	2-7	2-5	2-4	1-2	1	1
	3	1-6	1-5	1-3	1-2	1	0
	4	1-5	1-4	1-3	1	1	0
	5	1-4	1-3	1-2	1	0	0
	6	1-3	1-3	1-2	1	0	0
	7	1-2	1-2	1	0	0	0
	8	1	1	1	0	0	0
	9	0	0	0	0	0	0
1,0	1	3-8	3-6	2-4	1-2	1	1
	2	2-7	2-5	1-3	1-2	1	0
	3	1-5	1-4	1-2	1	0	0
	4	1-4	1-3	1-2	1	0	0
	5	1-3	1-2	1	0	0	0
	6	1	1	0	0	0	0
	7	0	0	0	0	0	0
1,5	1	3-7	2-5	2-4	1-2	1	1
	2	1-5	1-4	1-3	1	1	0
	3	1-3	1-3	1-2	1	0	0
	4	1	1	1	0	0	0
	5	0	0	0	0	0	0
2,5	1	2-6	1-4	1-3	1-2	1	0
	2	1-3	1-2	1	1	0	0
	3	0	0	0	0	0	0
4,0	1	1-4	1-3	1-2	1	0	0
6,0	1	1	1	1	0	0	0

NOTES:

1. USED FOR:
 - A. 600V. MAX. VOLTAGE RATING
 - B. 105°C (221°F) MAX. TEMP. RATING
 - C. STRANDED COPPER WIRE ONLY



NOTES CONTINUED:

2. PACKAGE QTY:
 - A. STD: -C = 100
 - B. BULK: -M = 1000
3. DIMENSIONS ARE IN mm AND BRACKETED DIMENSIONS ARE IN INCHES
4. INSTALLATION TOOLS: REF DWGS A41522, A41523, A41524, A41525
5. WIRE STRIP LENGTH $12,7^{+0,8}_{-0}$ ($1/2^{+1/32}_{-0}$)
6. TWIST ENDS OF STRIPPED WIRE TOGETHER BEFORE INSERTING INTO WIRE JOINT

				FILESPEC WAS NPC_A41542_01			PANDUIT CORP.		A41542_02	
02	1/01	RM					TINLEY PARK, ILLINOIS			
01	10/97	JAMB		CHANGED PERIODS TO COMMAS ON ALL METRIC DIMENSIONS.			06426		METRIC NYLON INSULATED WIRE JOINT JM6	
00	3/92	BK	RLS	RELEASED			KS		LA	
REV	DATE	BY	CHK	DESCRIPTION			ECN #	PM	CUST	DRAWN BY BDK Ck'D LA SCALE NONE DRAWING NO. A41542