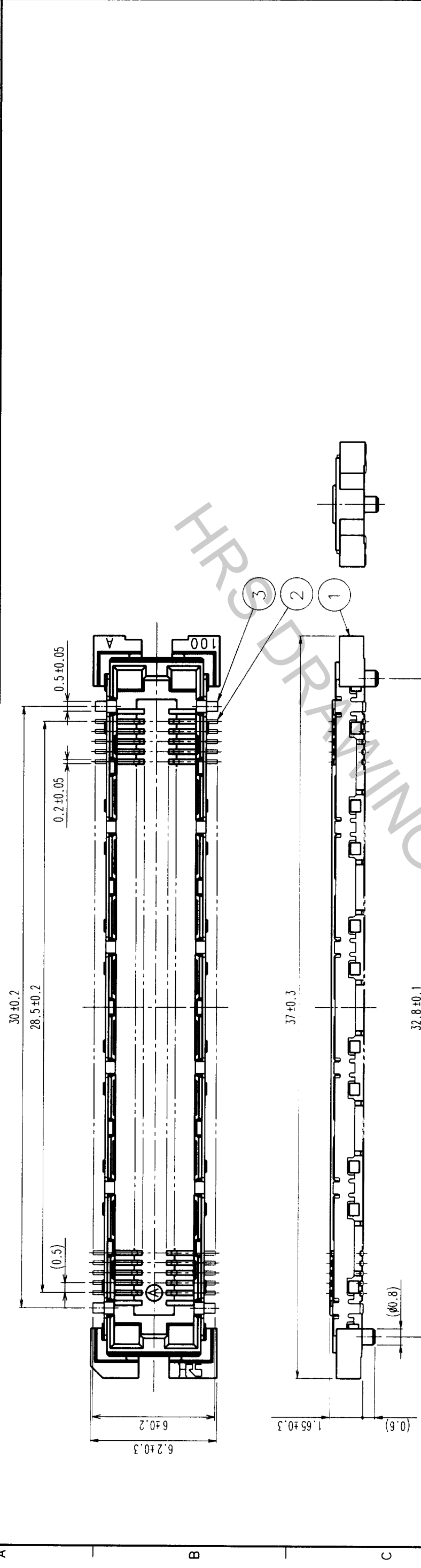
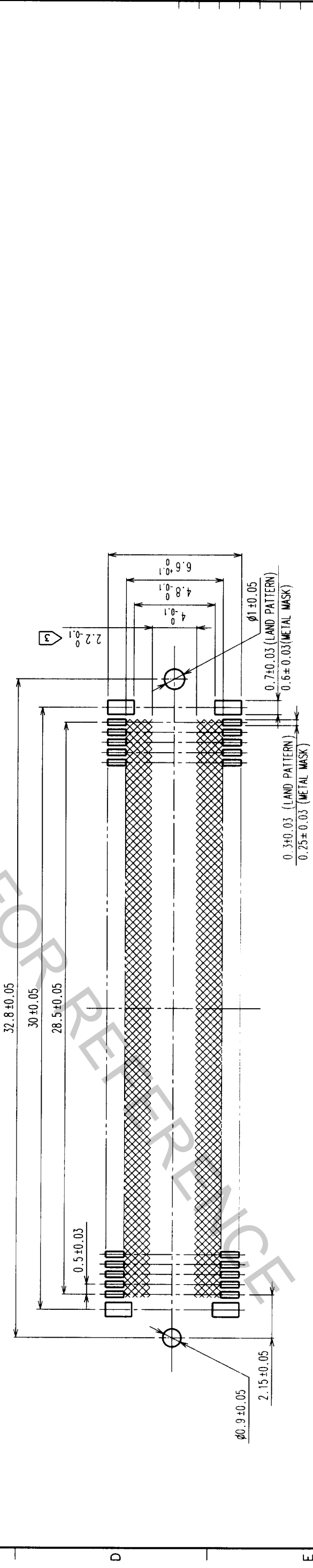


COUNT	DESCRIPTION OF REVISIONS	BY	CHKD	DATE	COUNT	DESCRIPTION OF REVISIONS	BY	CHKD	DATE
△					△				
△					△				
△					△				



RECOMMENDED LAND PATTERN DIMENSION OF PCB



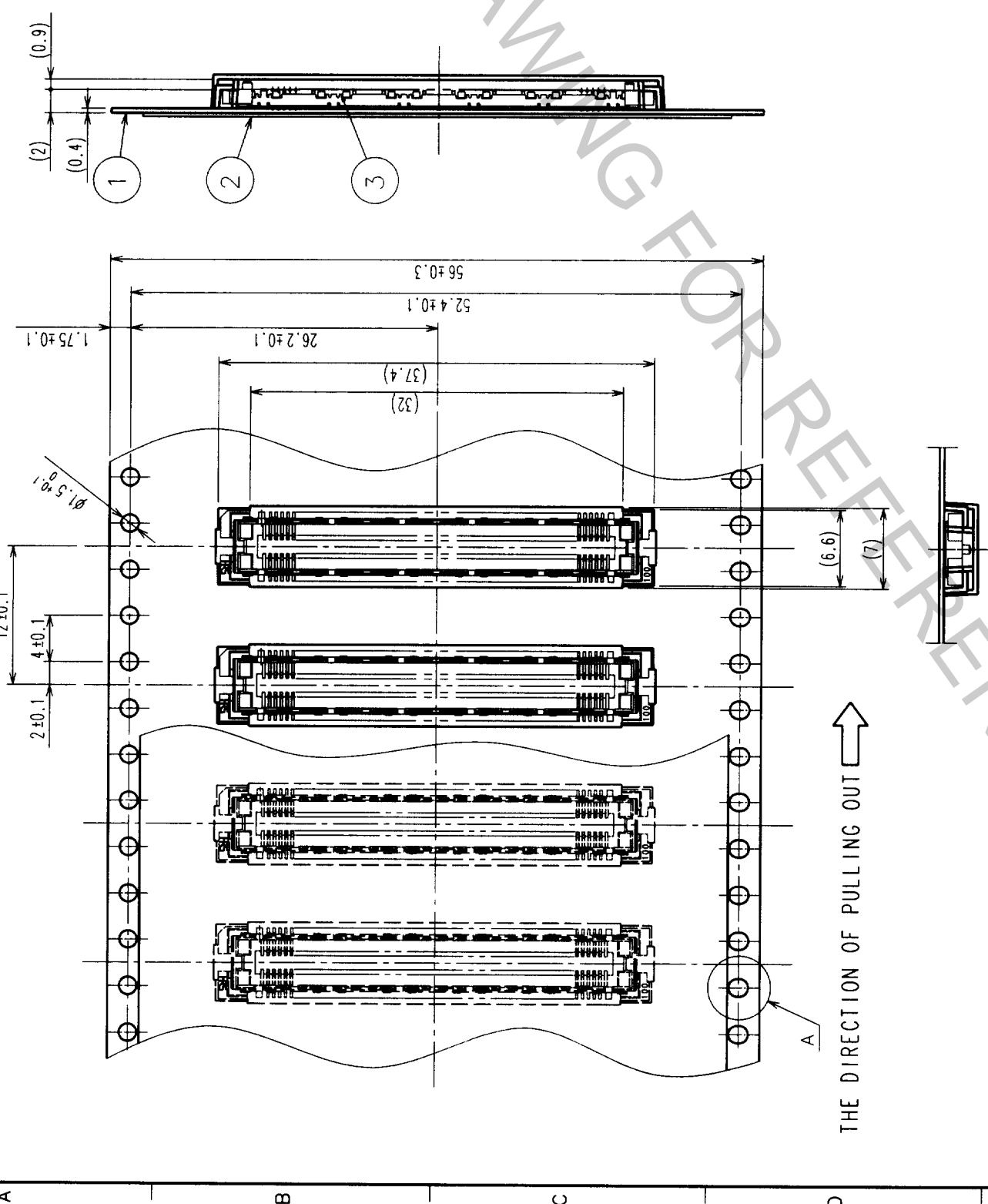
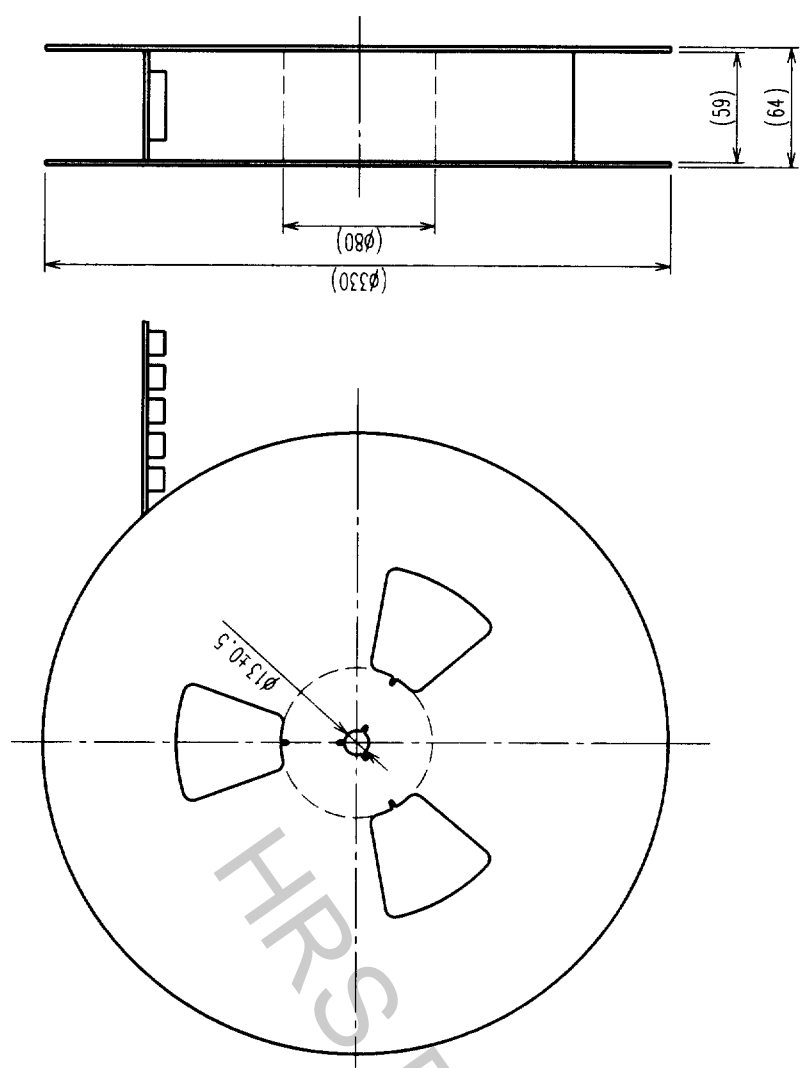
- NOTES
- SMT LEAD-COPLANARITY: 0.1 MAX.
 - THIS PRODUCT HAS NO POLARITY TO PATTERN FOR MOUNTING.
 - MAKE SURE WIDTH OF PATTERN IS WITHIN THAT OF LAND, OR LEAD MAY TOUCH PATTERN. (THIS APPLIES TO HATCHED AREA.)
 - TO BE EMBOSSED CARRIER TAPED AS SPECIFIED IN SHEET 2.

2	PHOSPHOR BRONZE	CONTACT AREA: GOLD (0.1μm) OVER NICKEL
1	LCP	LEAD: GOLD FLASH OVER NICKEL
NO.	MATERIAL	FINISH, REMARKS
3	PHOSPHOR BRONZE	TIN PLATED
CODE NO. (OLD)	CL	
DRAWN	DESIGNED	CHECKED
APPROVED	APPROVED	RELEASED
95.10.25	99.10.25	99.10.26
99.10.25	99.10.26	99.10.26
PART NO.		
FX11LA-116S-SV (21)		
DRAWING NO.		
EDC3-152118-01		
SCALE	CODE NO.	
5 : 1	CL573-0144-1-21	
UNITS	mm	

TO	
PCK	

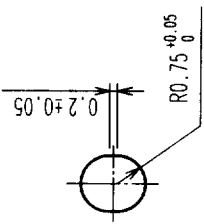
COUNT	DESCRIPTION OF REVISIONS	BY	CHKD	DATE	COUNT	DESCRIPTION OF REVISIONS	BY	CHKD	DATE
△					△				
△					△				
△					△				

REELED DIMENSION (Free)



THE DIRECTION OF PULLING OUT →

A (5:1)



- NOTES 1 REEL: 1000 CONNECTORS.
- 2 MINIMUM 10 COMPARTMENTS FROM BOTH REEL ENDS REMAIN EMPTY.
- 3 THIS PRODUCT HAS NO POLARITY TO TAPE AND REEL PACKAGING.

NO.	PET	TOP COVER TAPE	NO.	DESIGNED	CHECKED	APPROVED	RELEASED
1	PS	EMBOSSED CARRIER TAPE	3	(CONNECTOR)			
NO.	MATERIAL	FINISH, REMARKS	NO.	MATERIAL	FINISH, REMARKS		
CODE NO. (OLD)	CL		DRAWN				
DRAWING FOR PACKING			DESIGNED				
DRAWING NO. EDC3-152118-01			CHECKED				
SCALE 2 : 1			APPROVED				
UNITS mm			RELEASED				
PART NO. FX11LA-116S-SV(21)							
CODE NO. CL573-0144-1-21							

TO	
PCK	