

DESCRIPTION: M5 FEMALE - CABLE MOUNT - SOLDER CUP - 2 POSITION - SHIELDED

NOTE:

MATERIAL
 HOUSING: TPU, BLACK
 SHELL: BRASS
 CONTACT: PHOSPHOR BRONZE
 NUT: BRASS
 O-RING: NBR, BLACK

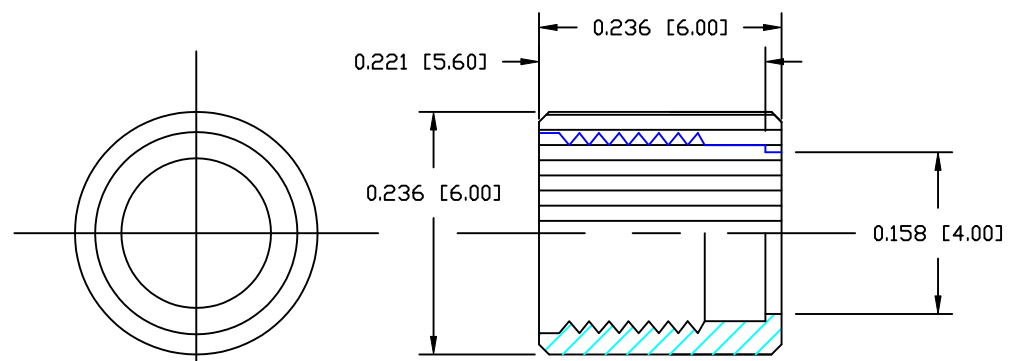
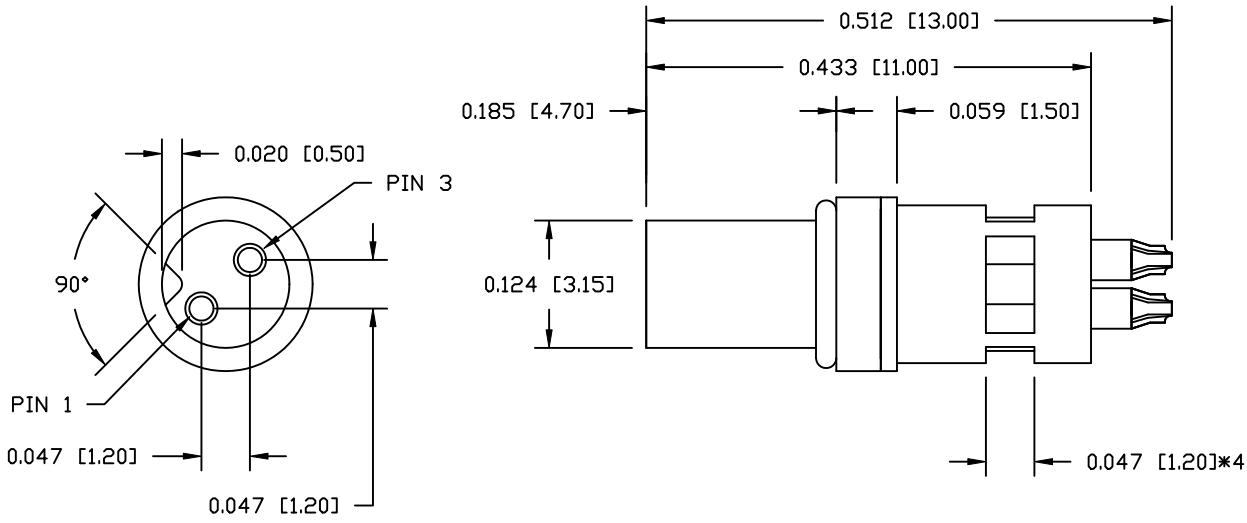
FINISH
 SHELL: TIN PLATED
 CONTACT: GOLD PLATED
 OVER 50µ NICKEL
 NICKEL PLATED

NUT:
 ELECTRICAL
 RATED CURRENT: 1A
 RATED VOLTAGE: 60V
 INSULATION RESISTANCE: 100 mOhms MIN.
 CONTACT RESISTANCE: 10 MOhms MAX.
 WATER PROOF: IP67

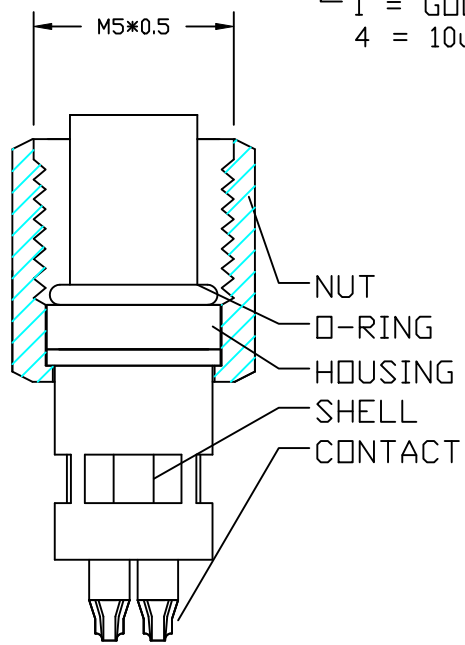
ENVIRONMENT
 OPERATION TEMPERATURE: -40°C TO +85°C
 WIRE GAUGE: 26-28 AWG
 MATING TORQUE = 1.5 in lbs max.

850-002-203RSSY

1 = GOLD FLASH
 4 = 10µ" GOLD



NUT



RoHS COMPLIANT

DO NOT SCALE FROM DRAWING



THESE DRAWINGS AND SPECIFICATIONS ARE THE PROPERTY OF NorComp AND SHALL NOT BE REPRODUCED, COPIED OR USED AS THE BASIS FOR THE MANUFACTURE OR SALE OF APPARATUS WITHOUT WRITTEN PERMISSION.

DRAWN: M. SIGMON
DATE: 03-03-16
CHECKED:
DATE:

NorComp

SCALE: NTS
SHEET 1 **OF** 1
REV 2
DWG NO. 850-002-203RSSY