

Technical specification:

Rated voltage: 250 V
IEC 61076-2-101

Current rating: 4 A at 40°C
IEC 61076-2-101

Insulation resistance: >=100 MΩ
IEC 60512

Pollution degree: 3/2
IEC 60664-1

Degree of protection: IP 67, in mated condition
IEC 60529

Temperature range: -30°C ... +80°C
EN 60512-11-10
-40°C ... +80°C
EN 60512-11-4
UL 2238
-30°C ... +65°C

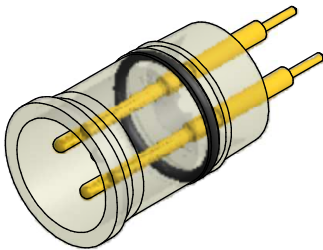
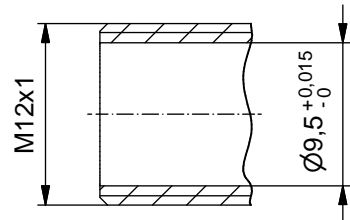
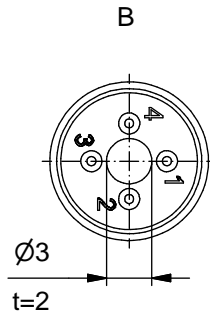
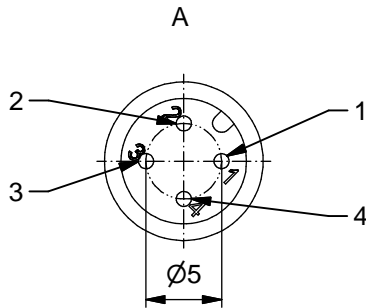
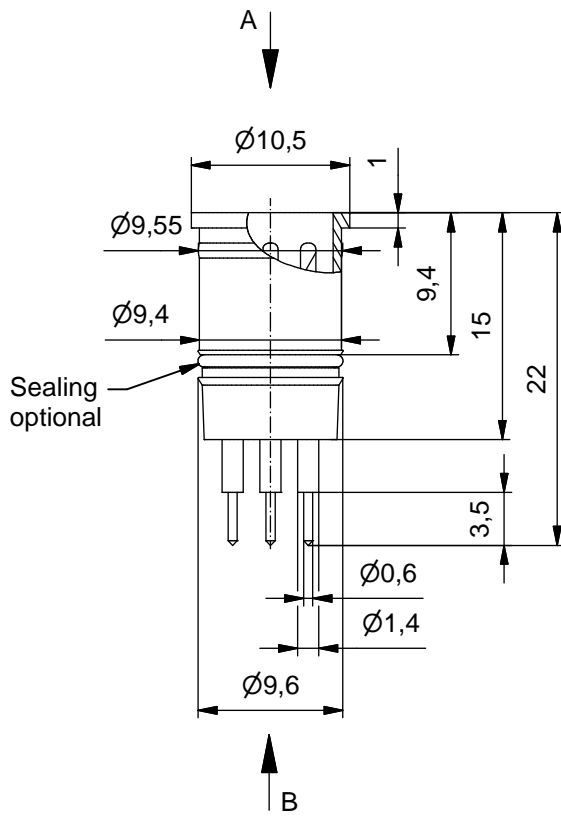
Mating cycles: >=100
IEC 60512-9a

Materials:

Contact: CuZn, Ni b / Au 0,2 gal.

Contact carrier: PA, UL 94 HB transparent

Sealing: FPM

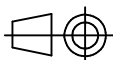


Part no:	Description:	Pos	Construction:
43-01636	SAL - 12 - EST4 - P	4	without sealing
43-01681	SAL - 12 - ESTO4 - P	4	with sealing

DO NOT ALTER CAD DRAWING BY HAND

RoHS & REACH compliant

Index: c 11.06.15 fro Ä5678
UL adaptation



dim.
in mm



title:

Panel plug M12x1 with dip solder

dwg no:

43K1A1195

part no:

general tolerance: 0 ± 0,50mm
0,0 ± 0,25mm
0,00 ± 0,10mm
* ± 1,5°



THIS DRAWING MAY NOT BE COPIED OR REPRODUCED IN ANY WAY, AND MAY NOT BE PASSED ON TO A THIRD PARTY WITHOUT WRITTEN PERMISSION. OWNERSHIP AND COPYRIGHT OF CONEC GmbH