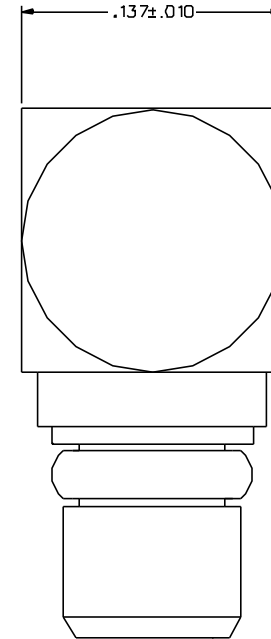
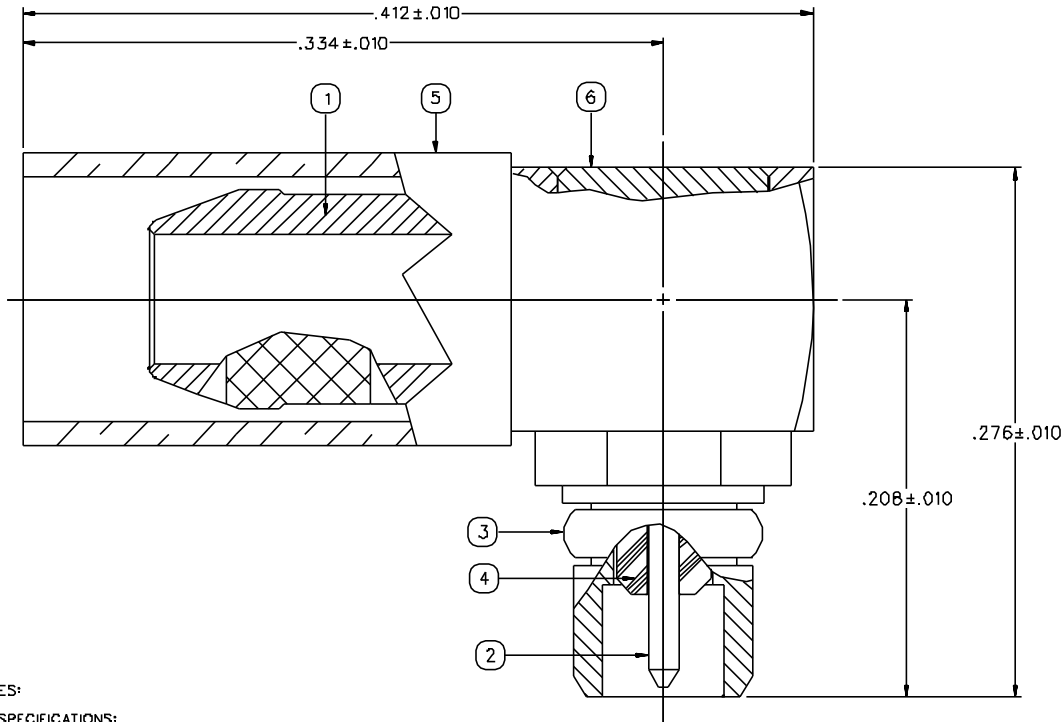


PART NUMBER 135-3403-101	ITEM ① BODY BRASS GOLD PL .00001 MIN OVER NICKEL PL .00005 MIN OVER COPPER PL .00005 MIN	ITEM ② CONTACT BERYLLIUM COPPER GOLD PL .00003 MIN OVER NICKEL PL .00005 MIN OVER COPPER PL .00005 MIN	ITEM ③ INTERFACE SPRING BERYLLIUM COPPER GOLD PL .00003 MIN OVER NICKEL PL .00005 MIN OVER COPPER PL .00005 MIN	ITEM ④ INSULATOR TEFLON	ITEM ⑤ CRIMP SLEEVE COPPER GOLD PL .00001 MIN OVER NICKEL PL .00005 MIN OVER COPPER PL .00005 MIN	ITEM ⑥ END CAP BRASS GOLD PL .00001 MIN OVER NICKEL PL .00005 MIN OVER COPPER PL .00005 MIN
-----------------------------	---	---	--	-------------------------------	--	--

DRAWING NO. C - 135-3403-101/110	
0	REVISIONS
ENGINEERING RELEASE	
1	1-21-97 R H K B 4-15-97 ECN 44531
CHANGED: .295±.010 WAS .300±.010, .105±.010 WAS .090±.010 ADDED: .085±.010	
2	1-21-97 R H K B ECN 45375



NOTES:

1. SPECIFICATIONS:

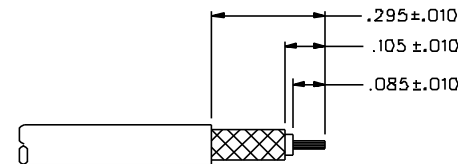
IMPEDANCE: 50 OHMS  
 FREQUENCY RANGE: D-6 GHz  
 VSWR: 1.25 MAX  
 WORKING VOLTAGE: 170 VRMS MAX AT SEA LEVEL  
 DIELECTRIC WITHSTANDING VOLTAGE: 500 VRMS MIN AT SEA LEVEL  
 INSULATION RESISTANCE: 1000 MEGOHM MIN  
 CONTACT RESISTANCE:  
 CENTER CONTACT - INITIAL 5.0 MILLIOHM MAX, AFTER ENVIRONMENTAL 15.0 MILLIOHM MAX  
 OUTER CONDUCTOR - GOLD PLATED INITIAL 1 MILLIOHM MAX, AFTER ENVIRONMENTAL 1.5 MILLIOHM MAX  
 BODY TO BRAID - GOLD PLATED INITIAL 5.0 MILLIOHM MAX, AFTER ENVIRONMENTAL NOT APPLICABLE  
 CORONA LEVEL: 190 VOLTS MINIMUM AT 70,000 FEET  
 INSERTION LOSS: 0.2 DB MAX AT 1 GHZ  
 RF LEAKAGE: -60 DB AT 2.5 GHZ  
 RF HIGH POTENTIAL WITHSTANDING VOLTAGE: 400 VRMS AT 4 AND 7 MHZ

MECHANICAL:

ENGAGE/DISENGAGE FORCE: 8.0 LBS MAX ENGAGEMENT  
 1.4 LBS MIN DISENGAGEMENT  
 CONTACT RETENTION FORCE: 2.0 LBS MIN AXIAL FORCE  
 CONTACT RETENTION TORQUE: NOT APPLICABLE  
 COUPLING MECHANISM RETENTION: NOT APPLICABLE  
 CABLE ACCEPTABILITY: RG 316/U, 188, 187, 179, 161, 174  
 CABLE HEX CRIMP SIZE: .128  
 CABLE RETENTION: 20 LBS  
 DURABILITY: 500 CYCLES MIN

ENVIRONMENTAL:

(MEETS OR EXCEEDS THE APPLICABLE PARAGRAPH OF MIL-C-39012)  
 THERMAL SHOCK: MIL-STD-202, METHOD 107, CONDITION C  
 EXCEPT -55 DEG C TO 155 DEG C  
 OPERATING TEMPERATURE: -55 DEG C TO 155 DEG C  
 CORROSION: MIL-STD-202, METHOD 101, CONDITION B  
 SHOCK: MIL-STD-202, METHOD 213, CONDITION B  
 VIBRATION: MIL-STD-202, METHOD 204, CONDITION D  
 MOISTURE: MIL-STD-202, METHOD 106



CABLE STRIP DIMENSIONS

4:1

CUSTOMER DRAWING

THIS DRAWING TO BE INTERPRETED PER ANS Y 14.5M - 1982

"μSTATION"

COMPANY CONFIDENTIAL

TOLERANCE UNLESS OTHERWISE SPECIFIED	DRAWN BY TAK	DATE 11-18-96		
DECIMALS .XX	CHECKED BY	DATE	TITLE PLUG ASSEMBLY RIGHT ANGLE, RG 316 MMCX	
.XXX±.003	APPROVED BY TAK	DATE 3-27-97		
MATL	APPROVED BY RJB	DATE 3-31-97	CODE NO.	DRAWING NO. C - 135-3403-101/120
FINISH	RELEASE DATE	4-15-97	SCALE 2D:1	U/M INCH SHEET 2 OF 2

Cinch Connectivity Solutions  
 299 Johnson Ave. Ste. 100  
 Waukegan, MN 55093  
 1-800-247-8256