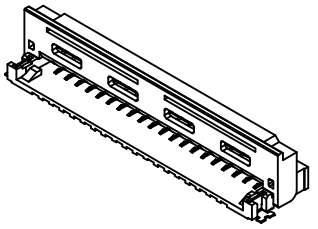
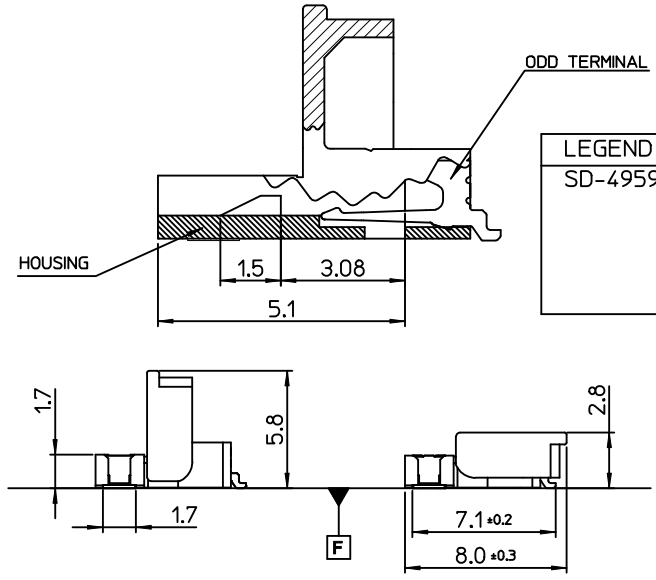
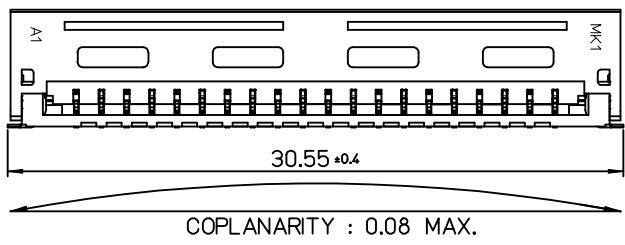
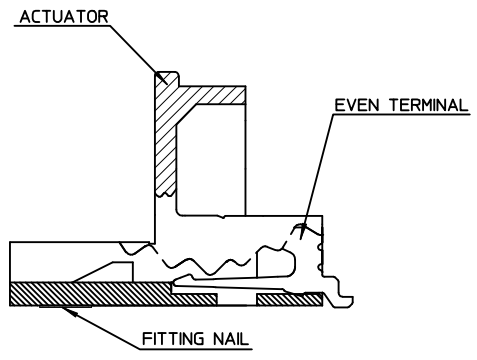
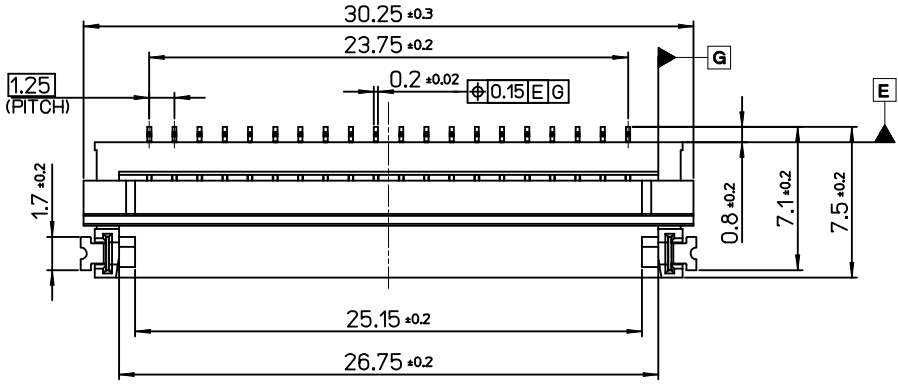


LEAD-FREE



ISOMETRIC VIEW



LEGEND	
SD-49597-20x7	COLOR
0	NATURAL
1	BLACK
3	NATURAL, HALOGEN FREE
4	BLACK, HALOGEN FREE

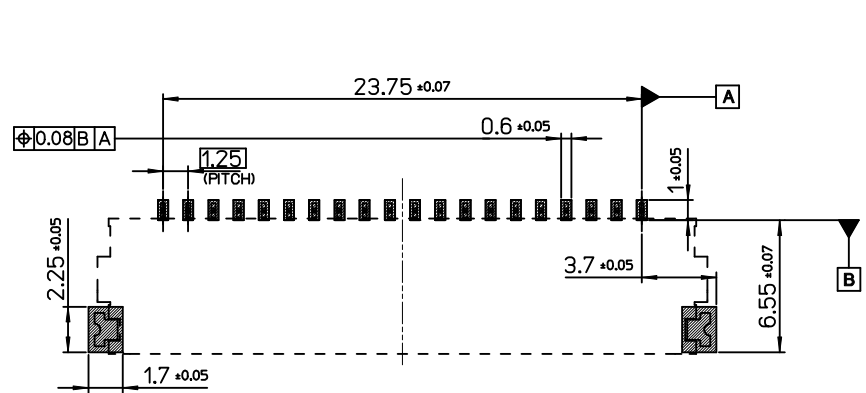
- NOTES**
- MATERIAL**
 - HOUSING : PA46 ,GLASS FILLED. UL94V-0, COLOR: BEIGE. LCP, GLASS FILLED. UL94V-0, COLOR: NATURAL
 - ACTUATOR : LCP, GLASS FILLED. UL94V-0, COLOR: NATURAL, BLACK.
 - TERMINAL : COPPER ALLOY.
 - FITTING NAIL : COPPER ALLOY.

- FINISHES**
 - TERMINAL : Tin[Sn] OVER NICKEL[Ni] PLATING.
 - FITTING NAIL : TIN[Sn] OVER NICKEL[Ni] PLATING.

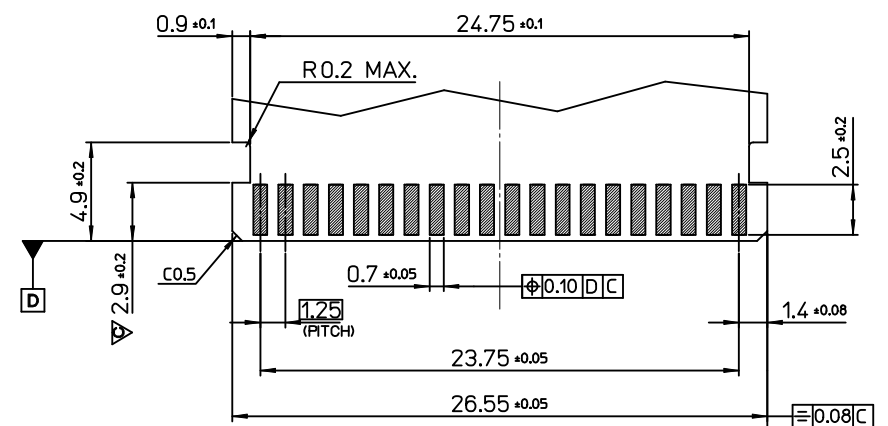
- PRODUCT SPECIFICATION** : PS-49597-001
- PACKING SPECIFICATION** : PK-49597-001
- ACTUATOR IS OPEN IN THE EMBOSSED PACKING**

REVISED EC NO: KOR2016-0047 DRW:KTK1M01 2015/12/01 CHK:KSK IM 2015/12/01 APPR:YSK1M02 2015/12/07	DESCRIPTION REV	QUALITY SYMBOLS	GENERAL TOLERANCES (UNLESS SPECIFIED)	DIMENSION STYLE	SCALE	DESIGN UNITS	THIRD ANGLE PROJECTION	
		▼=0 ◻=0	mm INCH 4 PLACES ± --- ± --- 3 PLACES ± --- ± --- 2 PLACES ± 0.2 ± --- 1 PLACE ± 0.25 ± --- ANGULAR ± 1 °	MM ONLY	METRIC	DRAWN BY: JHLEE DATE: 2007/03/09 CHECKED BY: KSK IM DATE: 2007/03/09 APPROVED BY: YS00K IM DATE: 2007/03/09	TITLE	1.25 FPC/FFC B/F CONN HOUSING ASS'Y 20P (BOTTOM CONTACT)
		DRAFT WHERE APPLICABLE MUST REMAIN WITHIN DIMENSIONS	SEE TABLE	MATERIAL NO.	DOCUMENT NO.	MOLEX INCORPORATED SD-49597-001	SHEET NO.	1 OF 3
		SIZE A3	THIS DRAWING CONTAINS INFORMATION THAT IS PROPRIETARY TO MOLEX INCORPORATED AND SHOULD NOT BE USED WITHOUT WRITTEN PERMISSION					

LEAD-FREE

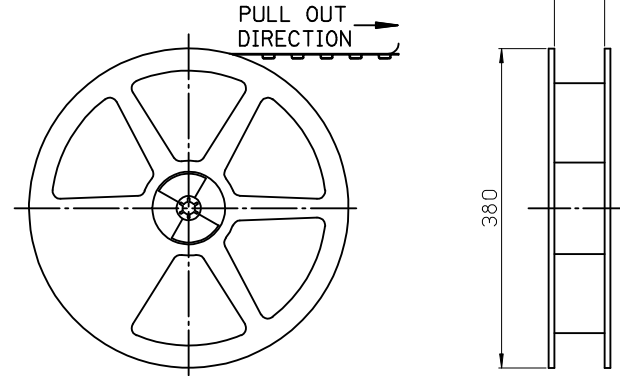
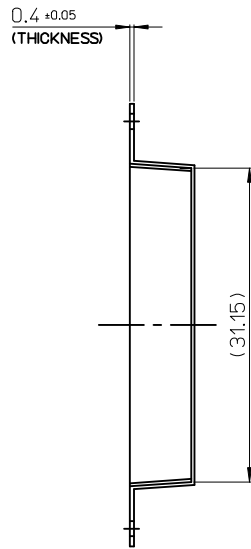
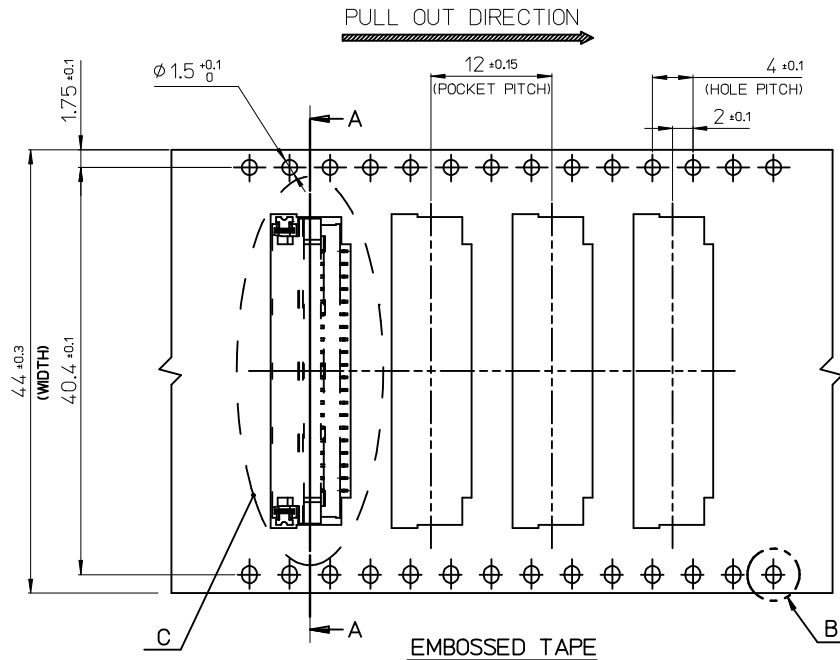


P.C. BOARD DIMENSION (RECOMMEND)



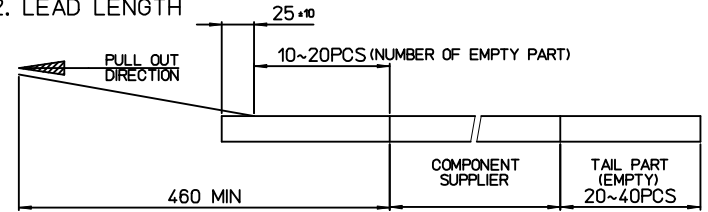
FPC/FFC DIMENSION (RECOMMEND)
(FLIM THICKNESS = 0.3±0.05)

REVISED EC NO: KOR2016-0047 DRW:KTK/IM01 2015/12/01 CHK:KSK/IM 2015/12/01 APPR:YSK/IM02 2015/12/07	DESCRIPTION REV	QUALITY SYMBOLS ▽=0 ◻=0	GENERAL TOLERANCES (UNLESS SPECIFIED)		DIMENSION STYLE MM ONLY		SCALE	DESIGN UNITS METRIC	THIRD ANGLE PROJECTION			
				mm	INCH	DRAWN BY	DATE	TITLE				
				4 PLACES	± ---	± ---	JHLEE	2007/03/09	1.25 FPC/FFC B/F HOUSING ASS'Y 20P (BOTTOM CONTACT)			
				3 PLACES	± ---	± ---	CHECKED BY	DATE				
		2 PLACES	± 0.2	± ---	KSK/IM	2007/03/09	MOLEX INCORPORATED					
		1 PLACE	± 0.25	± ---	APPROVED BY	DATE						
			ANGULAR ± 1 °		YSOOK/IM	2007/03/09	MATERIAL NO.		DOCUMENT NO.			
		DRAFT WHERE APPLICABLE MUST REMAIN WITHIN DIMENSIONS			SEE TABLE		SD-49597-001		SHEET NO.			
					SIZE A3	THIS DRAWING CONTAINS INFORMATION THAT IS PROPRIETARY TO MOLEX INCORPORATED AND SHOULD NOT BE USED WITHOUT WRITTEN PERMISSION						

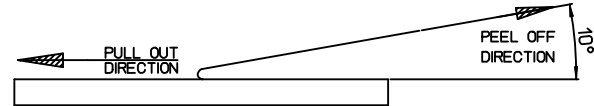


NOTES

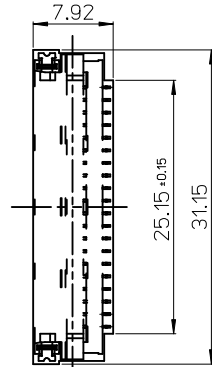
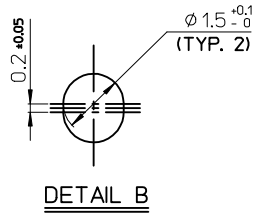
1. QUANTITY OF CONNECTORS : 1200PCS/REEL
2. LEAD LENGTH



3. PEELING OFF FORCE OF COVER TAPE : 0.1N~0.59N(10.2GF~60GF)
(PEELING DIRECTION AS SHOW IN FOLLOW FIG.)
PEELING OFF SPEED : 300mm/Min.(Ref.)



4. FLASH IN ANY PORTION SHOULD BE LESS THAN 0.20mm MAX.



HALOGEN FREE	495972047	495972040	49597-9920	44mm	BLACK
	495972037	495972030			NATURAL
	495972017	495972010			BLACK
	495972007	495972000			NATURAL
NON-HF					
TYPE	MATERIAL NO.	CONNECTOR	EMBOSS TAPE	TAPE WIDTH	COLOR
3		PLASTIC BOBBIN	HI P.S		WHITE
2		COVER TAPE	P.E.T		37.5mm
1		CARRIER (EMBOSSD) TAPE	P.E.T		
NO.	DESCRIPTION		MATERIAL	REMARK	

REVISED	EC NO: KOR2016-0047	2015/12/01
	DRWN:KTK/IM01	2015/12/01
	CHKD:KSK/IM	2015/12/01
	APPR:YSK/IM02	2015/12/07

QUALITY SYMBOLS	▽=0	
	∇=0	
	4 PLACES	± --- ± ---
	3 PLACES	± --- ± ---
	2 PLACES	± 0.2 ± ---
1 PLACE	± 0.25 ± ---	
ANGULAR ± 1 °		
DRAFT WHERE APPLICABLE MUST REMAIN WITHIN DIMENSIONS		

GENERAL TOLERANCES (UNLESS SPECIFIED)		DIMENSION STYLE MM ONLY	
mm	INCH	DRAWN BY	DATE
		JHLEE	2007/03/09
		CHECKED BY	DATE
		KSK/IM	2007/03/09
		APPROVED BY	DATE
		YSOOK/IM	2007/03/09
MATERIAL NO.		DOCUMENT NO.	
SEE TABLE		SD-49597-001	

SCALE	DESIGN UNITS	THIRD ANGLE PROJECTION
	METRIC	
TITLE		
1.25 FPC/FFC B/F CONN HOUSING ASS'Y 20P (BOTTOM CONTACT)		
MOLEX INCORPORATED		
MATERIAL NO.		SHEET NO.
SD-49597-001		3 OF 3
THIS DRAWING CONTAINS INFORMATION THAT IS PROPRIETARY TO MOLEX INCORPORATED AND SHOULD NOT BE USED WITHOUT WRITTEN PERMISSION		