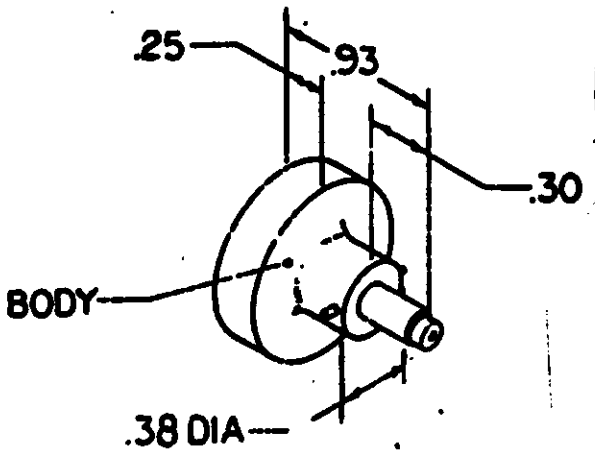
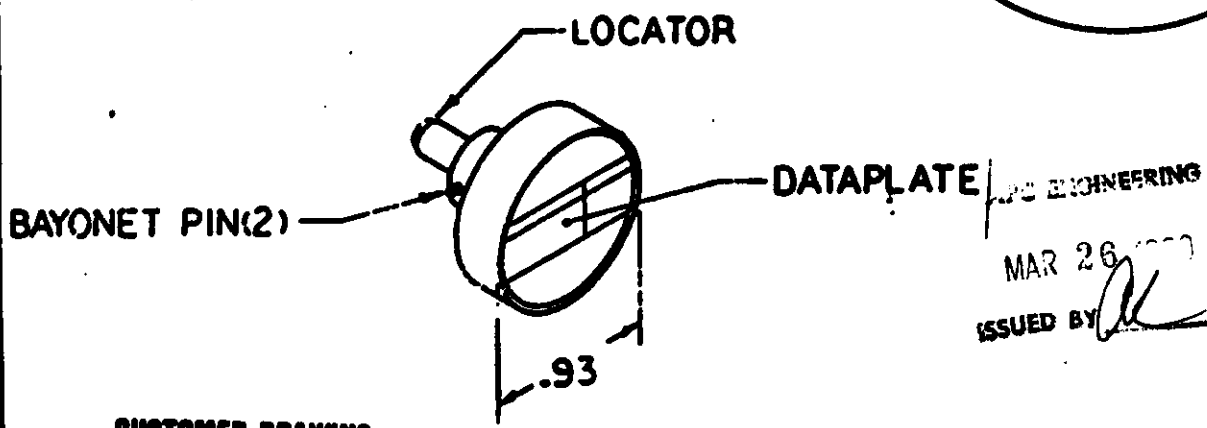


THIS INFORMATION IS CONFIDENTIAL AND IS DISCLOSED TO YOU ON CONDITION THAT NO FURTHER DISCLOSURE IS MADE BY YOU TO OTHERS WITHOUT WRITTEN AUTHORIZATION FROM AMP PRODUCTS CORP., VALLEY FORGE, PA., U.S.A.

DO NOT SCALE DRAWING



USE WITH CONTACTS		
SEL.	M24308/10-1 M24308/11-1 M28028/11-20-20 M28028/12-20-20	M24308/16A/17 -1 THRU -6 INNER P & S
4	---	RG141A, 142A, 142B, 178B, 180B, 188, 195A, 196A, 303, 316/U
5	24	RG68B, 89C, 223/U
6	22	---
7	20	---



ISSUED BY *[Signature]*  
MAR 26 1988  
RAYFOL ENGINEERING

CUSTOMER DRAWING  
UNPUBLISHED

601966-5		POSITIONER, AS SHOWN		ITEM NO
DWG SIZE	PART NO	DESCRIPTION		ITEM NO
← REVISION OF EACH ASSY NO (WHEN BLANK, USE DWG REVISION)				
QTY REQD PER ASSY		PARTS LIST		
		MATERIAL	HEAT TREAT	FINISH
		---	---	---
		TOLERANCES UNLESS OTHERWISE SPECIFIED:	DR <i>Ray Johnson</i> 6-9-88 APP <i>Ray Johnson</i> 6-9-88 CHK <i>W. Werner</i> 6/12/88 REL <i>F. HARNEO</i> 3-20-89	
		DECIMALS: .00 = ± .02. .000 = ± .005. .0000 = ± .0005 ANGLES: ± 0° 30' FRACTIONS: ± 1/64	<b>AMP PRODUCTS CORPORATION</b> Valley Forge, PA 19482 A Subsidiary of AMP Incorporated	
		REMOVE BURRS	NAME	
			POSITIONER, K13-1	
P	F	LTR	REVISION RECORD	APP DATE
			REL DWS 6-9-88	F. 6/88
SCALE		A	DWG NO	SHEET
			601966-5	REV
				0