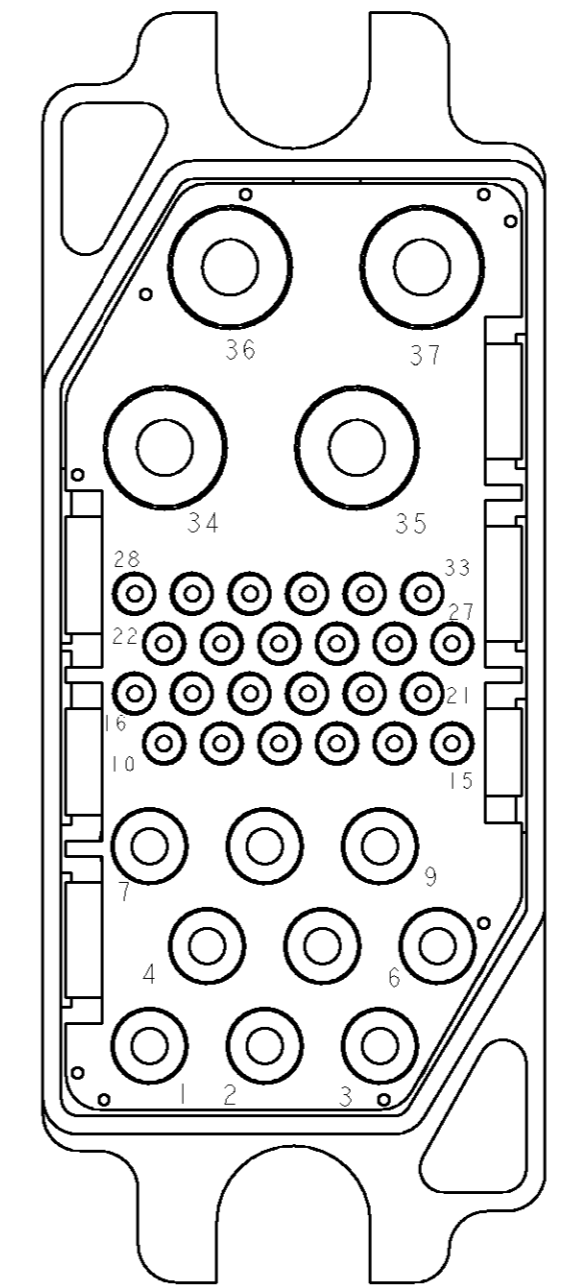
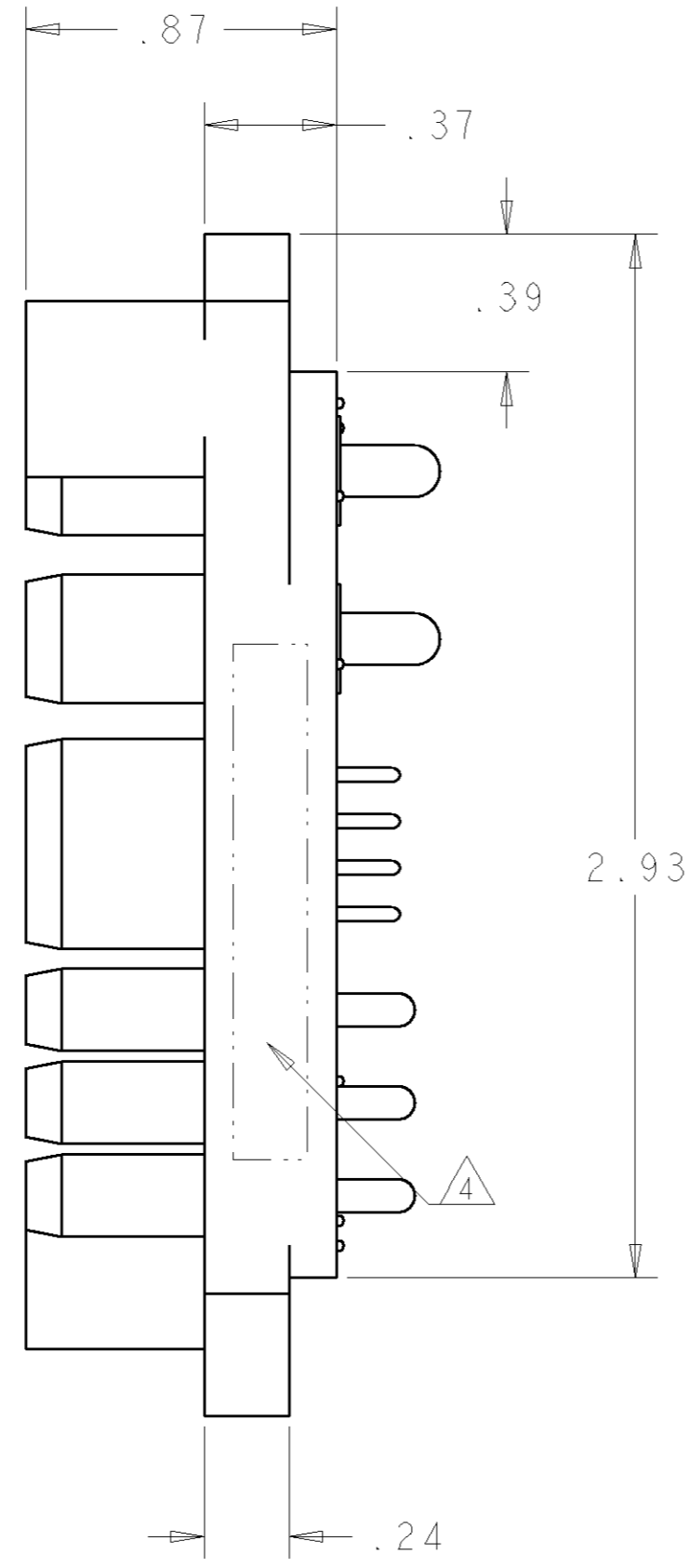
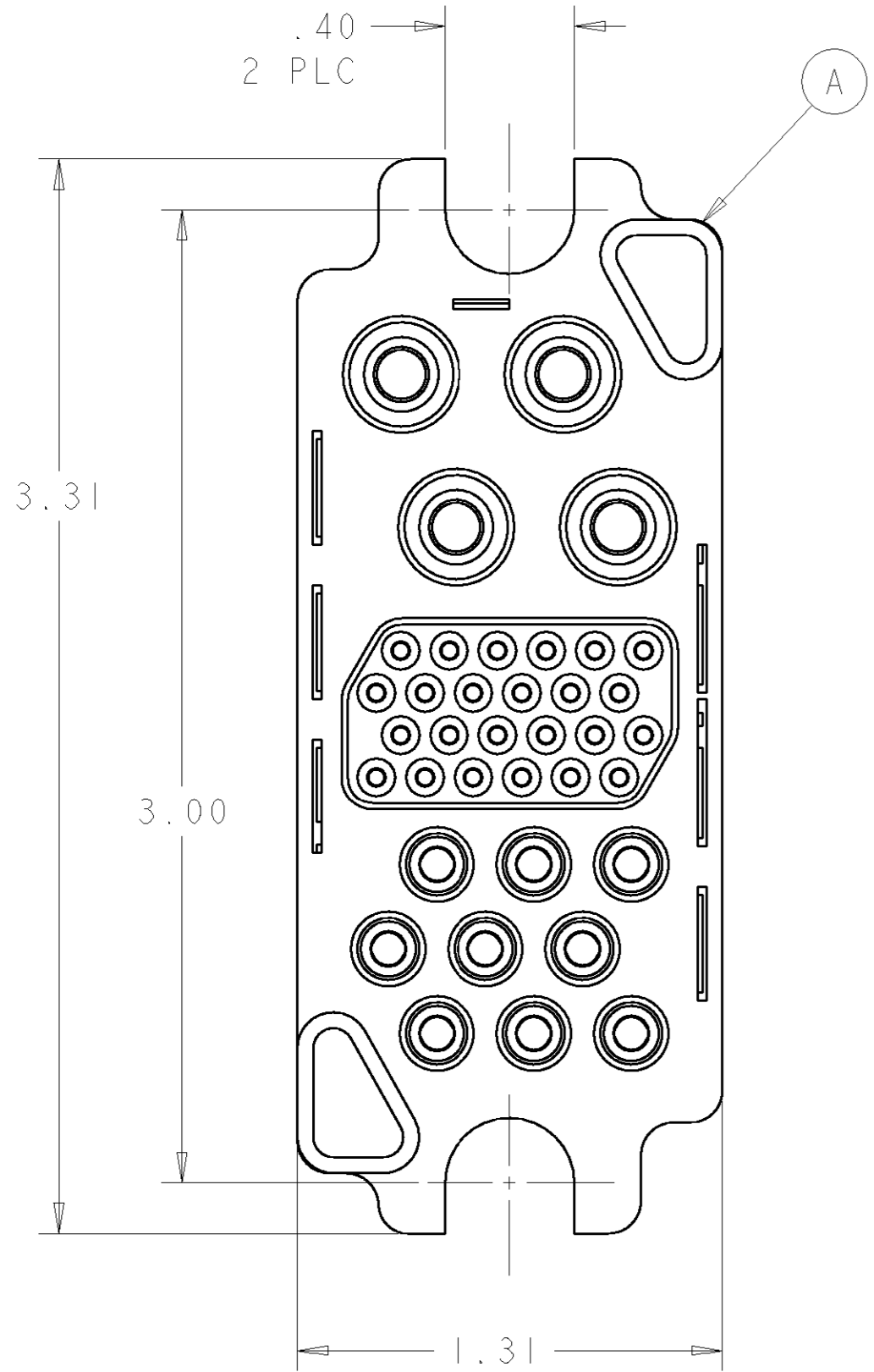


THIS DRAWING IS UNPUBLISHED. RELEASED FOR PUBLICATION 20
 © COPYRIGHT 20 BY TYCO ELECTRONICS CORPORATION. ALL RIGHTS RESERVED.

LOC	DIST	REVISIONS					
GP	00	P	LTR	DESCRIPTION	DATE	DWN	APVD
		A		RELEASED	03APR06	RG	MP



- SOCKET CONTACT, (B) SIZE #8
- SOCKET CONTACT, (C) SIZE #20
- SOCKET CONTACT, (D) SIZE #12

D	9	1648387-1	CONTACT, SOCKET, SIZE #12, PCB TAIL, HOT PLUG
C	24	1648358-1	CONTACT, SOCKET, SIZE #20, PCB TAIL
B	4	6648400-1	CONTACT, SOCKET, SIZE #8, PCB TAIL
A	1	1648168-2	HOUSING, SOCKET, PCB MOUNT
ITEM	-1	PART NUMBER	DESCRIPTION

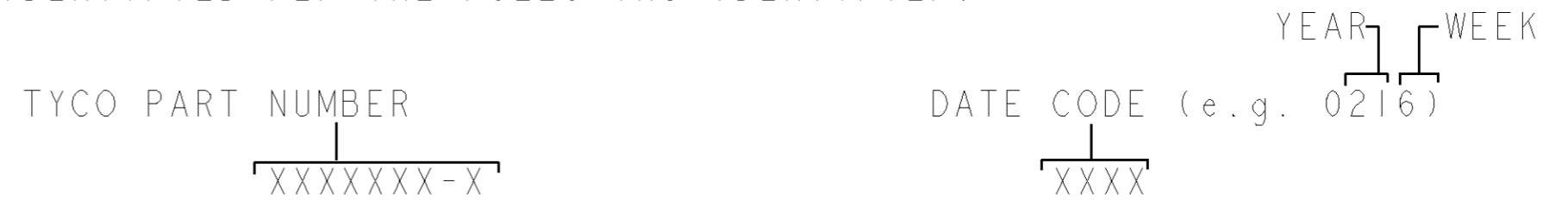
ELCON DRAWER

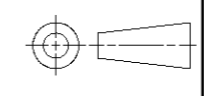
<small>THIS DRAWING IS A CONTROLLED DOCUMENT FOR TYCO ELECTRONICS CORPORATION. IT IS SUBJECT TO CHANGE AND THE CONTROLLING ENGINEERING ORGANIZATION SHOULD BE CONTACTED FOR THE LATEST REVISION.</small>		DWN R. GRZYBOWSKI 03APR06 CHK M. PERCHERKE 03APR06 APVD M. PERCHERKE 03APR06	tyco Tyco Electronics Electronics Harrisburg, PA 17105-3608
DIMENSIONS: INCHES 		TOLERANCES UNLESS OTHERWISE SPECIFIED: 0 PLC ± 1 PLC ± 2 PLC ±.02 3 PLC ±.010 4 PLC ±0.0005 ANGLES ±.5	NAME: CONNECTOR, SOCKET 75 AMP MIDDLE DRAWER SIZE: A2 CAGE CODE: 00779 DRAWING NO: 6643336 RESTRICTED TO: -
MATERIAL: -	FINISH: -	PRODUCT SPEC: -	SCALE: 4:1 SHEET 1 OF 2 REV A
CUSTOMER DRAWING		SCALE: 4:1 SHEET 1 OF 2 REV A	

THIS DRAWING IS UNPUBLISHED. RELEASED FOR PUBLICATION 20
 © COPYRIGHT 20 BY TYCO ELECTRONICS CORPORATION. ALL RIGHTS RESERVED.

LOC	DIST	REVISIONS					
		P	LTR	DESCRIPTION	DATE	DWN	APVD
GP	00			SEE SHEET 1	-	-	-

- PART NUMBER CHANGES AND OR DESIGN CHANGES AFFECTING THE INTERCHANGEABILITY REQUIRE PRIOR TYCO APPROVAL AND AUTHORIZATION BY REVISION TO THIS DRAWING.
- MATERIAL:
 INSULATOR: THERMOPLASTIC, GLASS REINFORCED, UL 94V-0
 FLAMMABILITY RATED, COLOR: BLACK
 CONTACT: BRASS ROD ALLOY
 CROWN BAND: BERYLLIUM COPPER
 RETENTION CLIP: BERYLLIUM COPPER
- FINISH:
 CONTACTS SIZE #8 : SILVER .000200 MIN. THK. OVER NICKEL .000040 MIN THK.
 CONTACTS SIZE #12 : GOLD .000010 MIN. THK. OVER NICKEL .000040 MIN THK.
 CONTACTS SIZE #20 : GOLD .000010 MIN. THK. OVER NICKEL .000040 MIN THK.
 CROWN BAND: GOLD .000030 MIN. THK. OVER NICKEL .000040 MIN THK.
- △ ITEMS PROVIDED TO THIS SPECIFICATION TO BE PERMANENTLY IDENTIFIED PER THE FOLLOWING IDENTIFIER:



<small>THIS DRAWING IS A CONTROLLED DOCUMENT FOR TYCO ELECTRONICS CORPORATION IT IS SUBJECT TO CHANGE AND THE CONTROLLING ENGINEERING ORGANIZATION SHOULD BE CONTACTED FOR THE LATEST REVISION.</small>		DWN R. GRZYBOWSKI 03APR06 CHK M. PERCHERKE 03APR06 APVD M. PERCHERKE 03APR06	tyco Tyco Electronics Electronics Harrisburg, PA 17105-3608
DIMENSIONS: INCHES 	TOLERANCES UNLESS OTHERWISE SPECIFIED: 0 PLC ± 1 PLC ± 2 PLC ±.02 3 PLC ±.010 4 PLC ±0.0005 ANGLES ±.5	PRODUCT SPEC - APPLICATION SPEC - WEIGHT -	NAME CONNECTOR, SOCKET 75 AMP MIDDLE DRAWER SIZE A2 CAGE CODE 00779 DRAWING NO. 6643336 RESTRICTED TO -
MATERIAL -	FINISH -	CUSTOMER DRAWING SCALE 4:1 SHEET 2 OF 2 REV A	

ELCON **DRAWER**