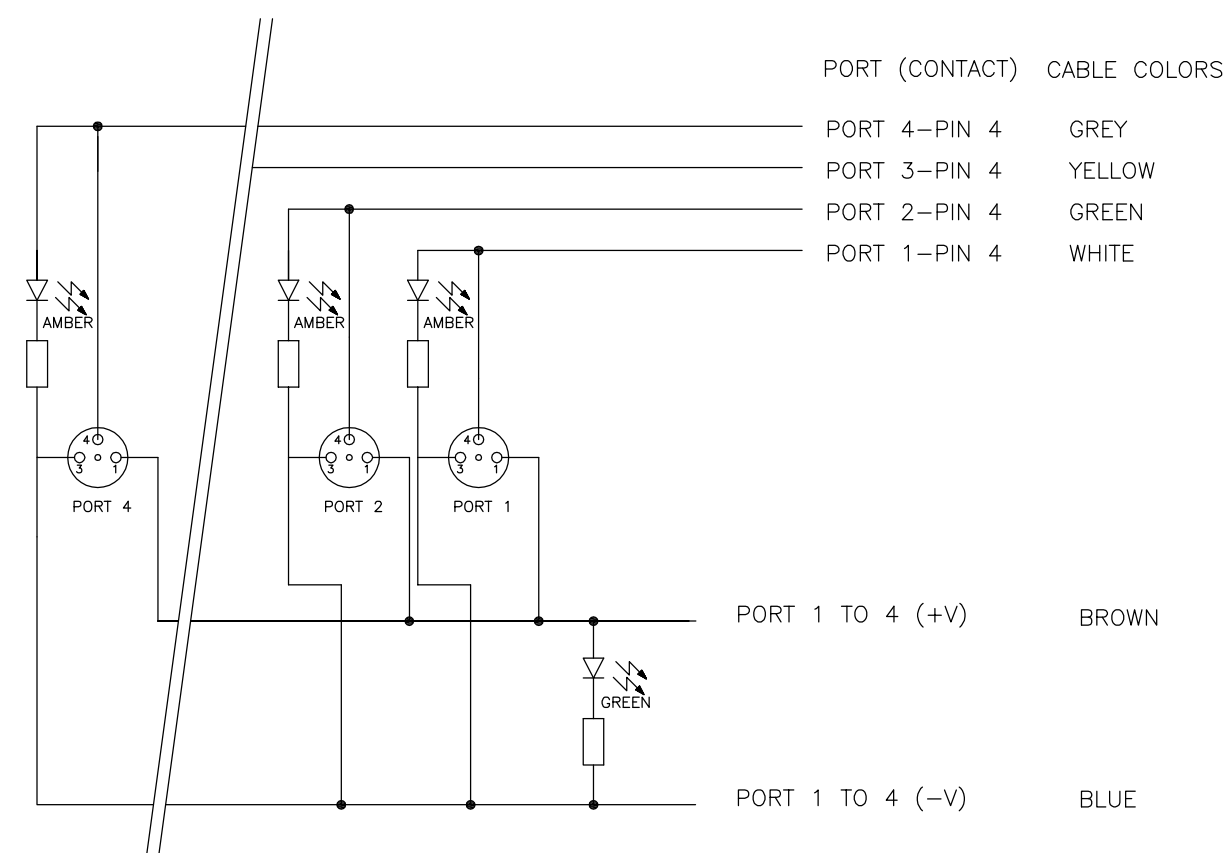
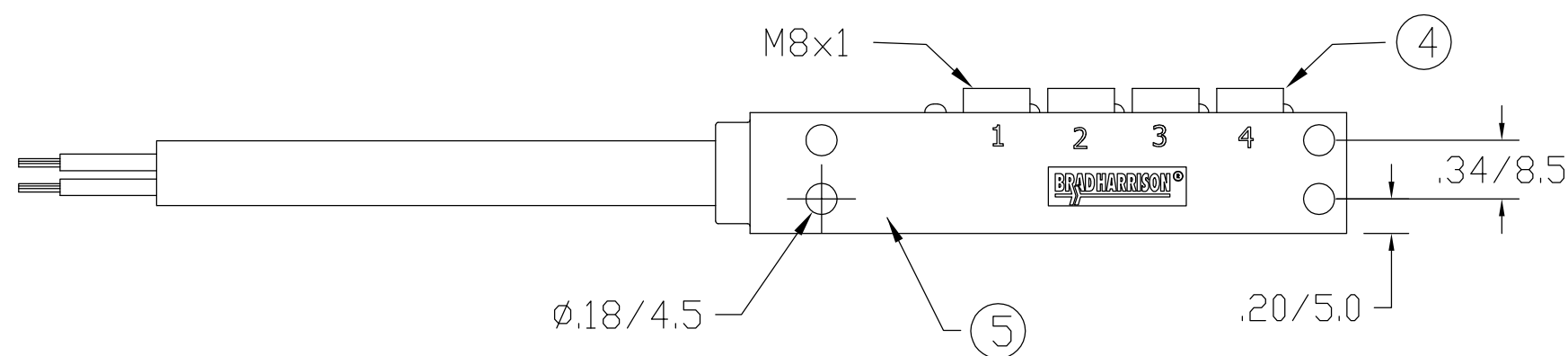
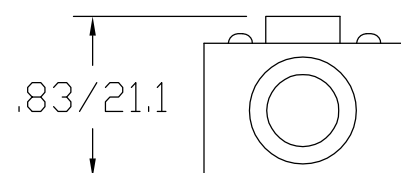
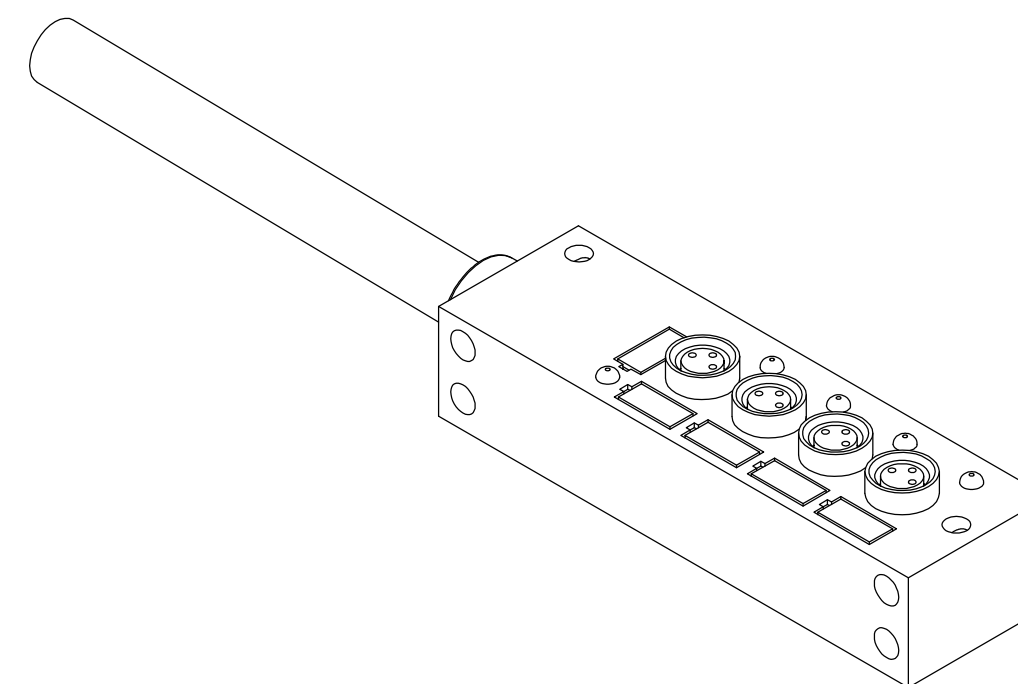
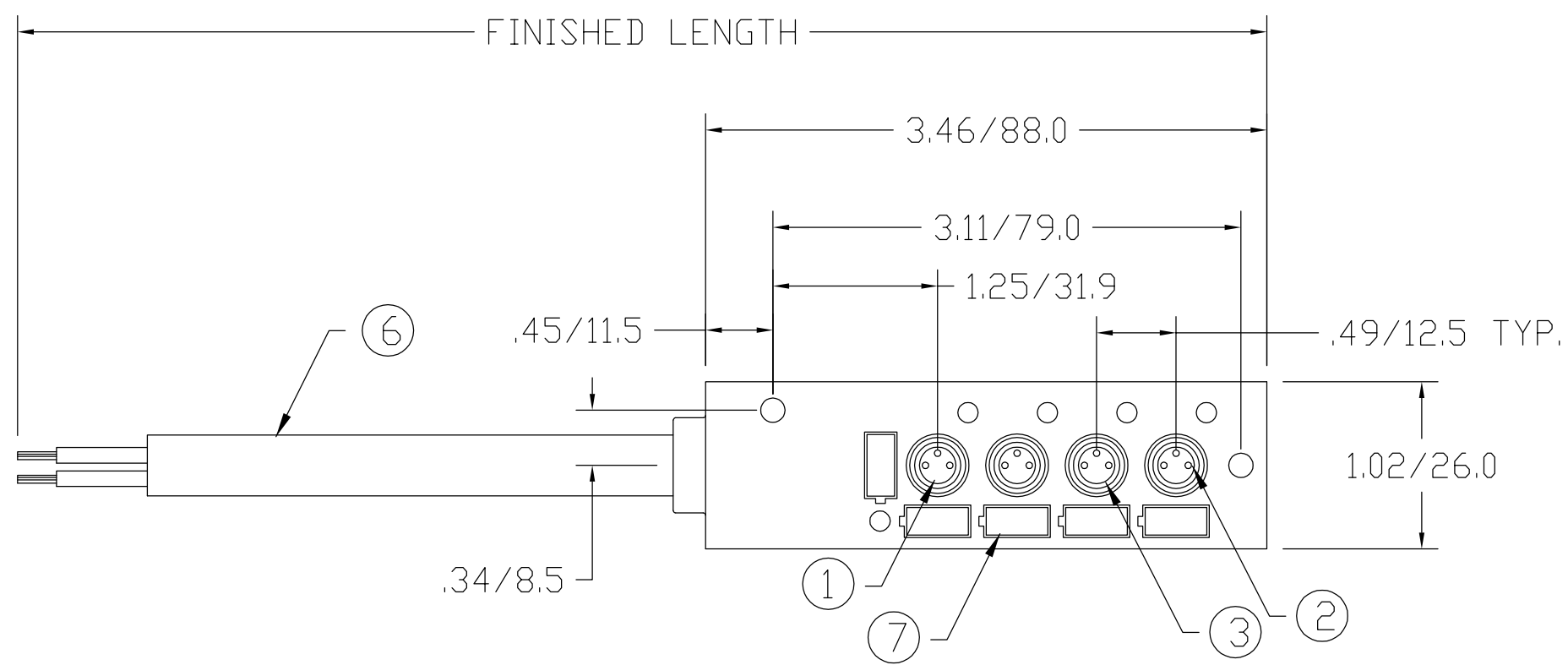


MATERIAL NUMBER	OLD PART NUMBER	FINISHED LENGTH
120113-0006	BEY401P-FBP-05	16.40' +6.50" -0 [5.0M +165.1 -0]
120113-0007	BEY401P-FBP-10	32.80' +12.50" -0 [10.0M +317.5 -0]



WIRING DIAGRAM

ITEM	COMPONENT	MATERIAL	FINISH
1	INSERT	POLYESTER	YELLOW
2	CONTACT SOCKET	COPPER ALLOY	GOLD OVER NICKEL
3	O-RING	VITON	RED
4	RECEPTACLE SHELL	BRASS	NICKEL PLATED
5	HOUSING	NYLON	YELLOW
6	CABLE- 18AWG, 2 CONDUCTOR; 22 AWG, 4 CONDUCTOR, 300V	PVC	YELLOW
7	LABEL	ABS	WHITE

VOLTAGE RATING	10-30 VDC
AMPERAGE RATING PER PORT	2 AMPS
PROTECTION	IP67
OPERATING TEMPERATURE	-20°C TO 90°C

RELEASED DRAWING EC NO: WEU2010-0058 DRWN: LHARTMAN 8/18/09 CH'KD: BWOODMAN 2009/08/21 APPR: JFMURPHY 2009/08/21	QUALITY SYMBOL ▽=0 ◻=0	GENERAL TOLERANCES (UNLESS SPECIFIED)		DIMENSION STYLE		SCALE	DESIGN UNITS	THIRD ANGLE PROJECTION
				IN/MM		NTS	METRIC	
				DRAWN BY DATE		TITLE		
				CHECKED BY DATE		MATERIAL NO.		
		1 PLACE ±0.3		APPROVED BY DATE		DOCUMENT NO.		SHEET NO.
		ANGULAR ±----		SEE CHART		SD-120113-002		1 OF 1
		DRAFT WHERE APPLICABLE MUST REMAIN WITHIN DIMENSIONS		SIZE C		THIS DRAWING CONTAINS INFORMATION THAT IS PROPRIETARY TO MOLEX INCORPORATED AND SHOULD NOT BE USED WITHOUT WRITTEN PERMISSION		

**NANO-CHANGE MPIS
4 PORT PNP SIDE ENTRY
XX METER PUR CABLE**

MOLEX INCORPORATED