



User Guide for
FEBFHR1200_SPG01A
Evaluation Board

High-Performance Shunt Regulator

Featured Fairchild Product:
FHR1200

*Direct questions or comments
about this evaluation board to:
“Worldwide Direct Support”*

Fairchild Semiconductor.com

Table of Contents

1. Introduction	4
1.1. Description	4
1.2. Features	5
2. Evaluation Board Specifications	6
3. Application Circuit Details	10
3.1. Application #3: Energy Storage Capacitor Charger	10
3.2. Application #4: Voltage Regulator & Reference	11
3.3. Application #5: 0 to 6 V Regulator	22
3.4. Application #6: V_{CC} or Brownout Regulator	24
4. Schematic	26
5. Bill of Material	27
6. Application Circuit Tests	29
7. Device Characteristic Data	33
8. Revision History	39

List of Tables

Table 1. V_{BE} and V_{REF} Values at 40 μA : Grounded Configuration	13
Table 2. Resistor Divider Values vs. Output Voltage: Grounded Configuration	14
Table 3. Resistor Divider Values vs. Output Voltage: Grounded Configuration	15
Table 4. Resistor Divider Values for Isolated Output Regulator	16
Table 5. V_{BE} & V_{REF} Performance Over-Temperature: Grounded Configuration	17
Table 6. Simple, Low-Cost 0 to 6 V Regulator Resistor Values	22
Table 7. Application #6: V_{CC} or Brownout Regulator Resistor Values, LM431 Configured	24
Table 8. V_{REF} Temp Stability vs. I_Z -55°C to +150°C: Grounded Configuration	36
Table 9. V_{REF} Temperature Stability vs. I_Z -40°C to +125°C: Grounded Configuration	36

List of Figures

Figure 1.	Evaluation Board Photograph (Enlarged).....	5
Figure 2.	Evaluation Board Floor Plan.....	6
Figure 3.	Break-Away Part Adapters	7
Figure 4.	Energy Storage Capacitor Charger	7
Figure 5.	Power Supply Voltage Regulator.....	8
Figure 6.	Low-Voltage Auxiliary Regulator	8
Figure 7.	Low-Cost V_{CC} or Brownout Regulator	9
Figure 8.	Energy Storage Capacitor, Regulated High-Efficiency Charger	10
Figure 9.	Energy Storage Capacitor Charger, Circuit Operation	11
Figure 10.	Application Circuit #4: Overall Schematic	12
Figure 11.	Application Circuit #4: Isolated Output, Grounded Output Regulator.....	12
Figure 12.	Reference Temperature Stability at 200 μ A & 1 mA: Grounded Configuration.....	14
Figure 13.	Isolated Output Regulator: 431 Configuration	15
Figure 14.	Non-Isolated Output Regulator: Grounded Configuration	16
Figure 15.	Basic Concept of Primary-Side Regulator: Grounded Configuration	17
Figure 16.	Primary-Side Regulator Based on App #4: Grounded Configuration.....	18
Figure 17.	Concept of Floating Regulator Based on App #4 Circuit.....	18
Figure 18.	Floating Regulator Using App #4 Circuit: Grounded Configuration.....	19
Figure 19.	Concept for Programmable Power Zener: App #4 Circuit.....	19
Figure 20.	Characterization of FHR1200 used as Zener.....	20
Figure 21.	FHR1200 Dynamic Impedance	20
Figure 22.	Concept and Actual Voltage Reference Using App #4 Circuit	21
Figure 23.	How to Add the App #4 Module to an Existing Power Supply.....	21
Figure 24.	Simple, Low-Cost 0 to 6 V Regulator: Application Circuit #5	22
Figure 25.	FHR1200 Thermal De-Rating.....	23
Figure 26.	Application #5: 3.3 V Power Supply Thermal Calculation	23
Figure 27.	Application #6: V_{CC} or Brownout Regulator Design.....	24
Figure 28.	Application #6: Brownout & Auxiliary Regulator: LM431 Configured	25
Figure 29.	Evaluation Board Schematics.....	26
Figure 30.	Connecting the Evaluation Board for Test.....	29
Figure 31.	Break-Away Detail for Socket Adapters	29
Figure 32.	Testing the FHR1200 Devices on the Socket Adapters	30
Figure 33.	Test of the Energy Capacitor Charger Operation.....	30
Figure 34.	Energy Capacitor Charger Circuit Operation Description	31
Figure 35.	Voltage Regulator Circuit Checkout	31
Figure 36.	3.3 V Low-Voltage Regulator Checkout	32
Figure 37.	V_{CC} or Brownout Regulator Circuit Checkout	32
Figure 38.	Calculating the FHR1200 Reference Temperature Coefficient.....	33
Figure 39.	LM431 Configured Reference Temperature Stability	33
Figure 40.	V_{REF} ; 10 μ A, 25 μ A I_Z Temperature Stability: Grounded Configuration	34
Figure 41.	V_{REF} ; 40 μ A, 60 μ A I_Z Temperature Stability: Grounded Configuration	34
Figure 42.	V_{BE} ; 10 μ A, 25 μ A I_Z Temperature Stability: Grounded Configuration.....	35
Figure 43.	V_{BE} ; 40 μ A, 60 μ A I_Z Temperature Stability: Grounded Configuration.....	35
Figure 44.	BJT h_{fe} Variation Over Temperature	37
Figure 45.	Zener Voltage vs. I_Z vs. Temperature.....	37
Figure 46.	Zener Temperature Coefficient Change Over Temperature	38
Figure 47.	FHR1200 Small-Signal Response.....	38

This user guide supports four applications for the FHR1200. It should be used in conjunction with the FHR1200 datasheet as well as Fairchild's application notes and technical support team. Please visit Fairchild's website at www.fairchildsemi.com.

1. Introduction

This document describes four proposed applications for the FHR1200 high-performance shunt regulator. These include:

- A. Two each SC70-to-DIP adapters: The small size of the SC70 can make it difficult to solder to the part for prototyping. Each adapter is supplied with a FHR1200 already soldered down.
- B. A 3.3 V-to-12 V regulated energy-storage-capacitor charger. Some smart meters only consume around 250 mW 99% of the time so can use a single 3.3 V low-power offline supply. However, to transmit, they require much higher power for a few milliseconds and can pull this voltage from a storage capacitor charged to a higher voltage.
- C. Voltage regulator and reference: This module can be used with most power supply topologies and on isolated, non-isolated, primary-side, and floating applications.
- D. Low-cost, low-voltage auxiliary regulator: Some designs need a regulated voltage in the 0 to 6 V range at just a few milliamps. The FHR1200 makes it possible to create a low-cost regulator for this application and can operate with an input voltage to >100 V.
- E. Simple V_{CC} or brownout regulator: Many power supply designs require that the V_{CC} voltage be regulated for the controller. The low operating current, high voltage and wide temperature range make the FHR1200 a good choice for general regulation applications.

This document contains a general description of the FHR1200, the specifications for each application circuit, schematics, bill of materials, and the typical operating characteristics.

1.1. Description

The FHR1200 is a high-efficiency regulator that outperforms a typical shunt regulator in applications where low operating power, wide temperature range, and wide voltage range are important. The regulator also features better stability and faster response than many existing regulators.

The FHR1200 can be used for isolated and non-isolated secondary side regulation plus, primary side, and floating regulation because the regulator can directly drive a power supply controller. This reduces parts count and circuit complexity in many applications. Non-isolated secondary-side regulation saves the cost of OPTOs and simplifies the power supply design.

The FHR1200 can be used in many diverse applications. For example: V_{CC} regulators to >100 V, small additional auxiliary power supplies, programmable precision Zener diodes (both high and low power), plus numerous analog circuits.

The FHR1200 can also be used as a standalone, low-cost, thermally stable, ~7.5 V voltage reference.

1.2. Features

- Low Current Operation: <math><10 \mu\text{A}</math>
- Programmable Output: 7.5 to >100 V
- Fewest External Component Count
- Temperature Compensated: Typical <math><50 \text{ ppm}</math>
- Low Dynamic Impedance
- Fast Turn-On
- Low Output Noise
- Sink Current Capability: 10 μA to 50 mA
- Reference Voltage Accuracy: $\pm 2\%$
- Wide Operating Temperature Range: -55 to 150°C
- Available in the 6-Lead SC70 Package

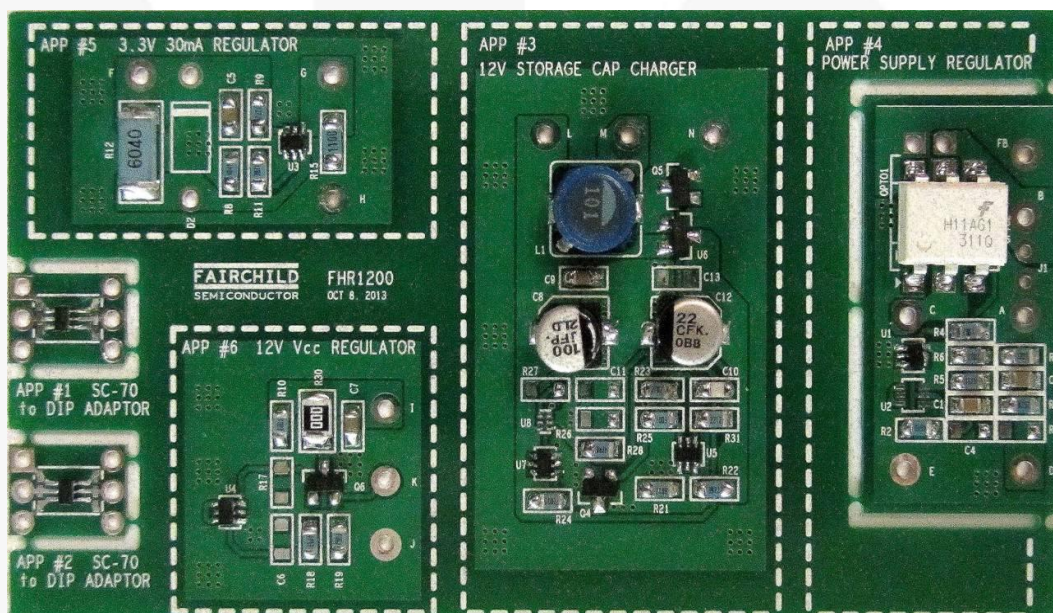


Figure 1. Evaluation Board Photograph (Enlarged)

The evaluation board is the size of an average business card, yet consists of six isolated PCB circuits that can make it quicker and easier to evaluate many potential applications. For example, the designer can use the break-away voltage regulator (app #4) to substitute for the existing output regulator on the power supply to evaluate the improvement over a current design; saving the cost and time of a PCB update to evaluate the part.

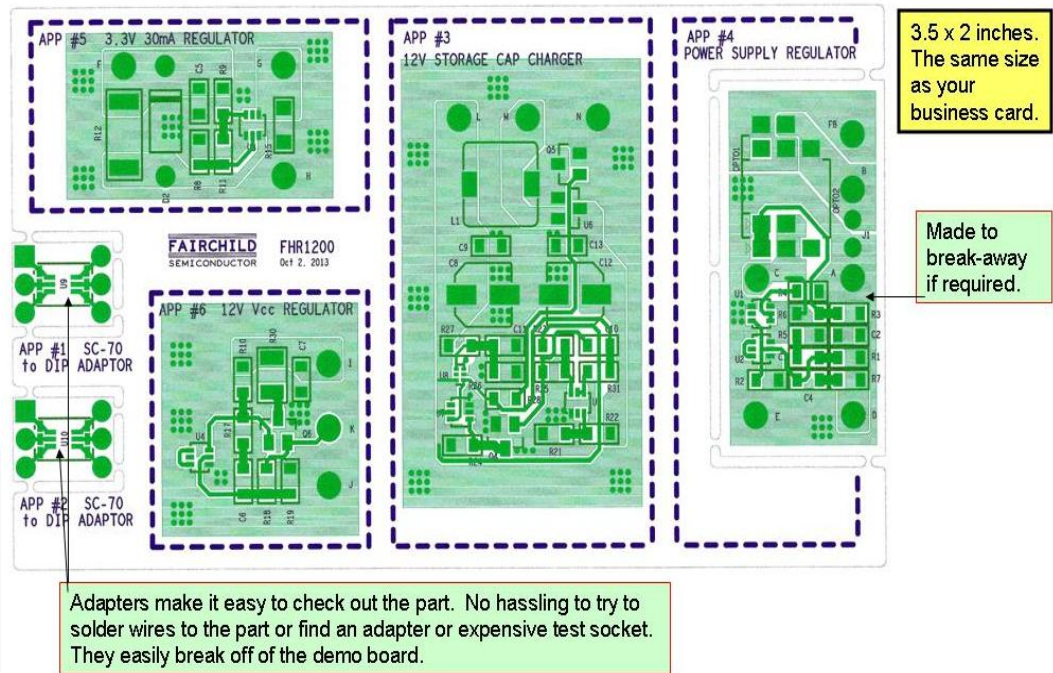


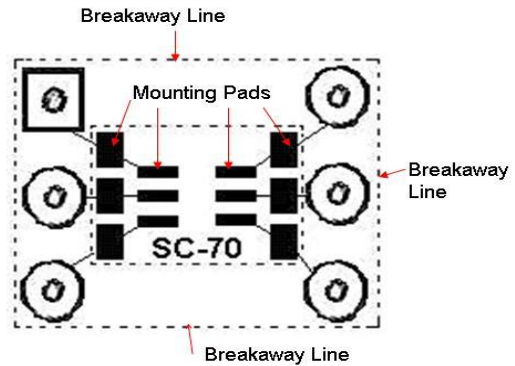
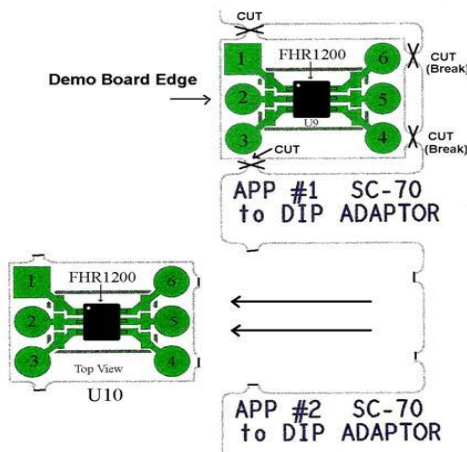
Figure 2. Evaluation Board Floor Plan

2. Evaluation Board Specifications



Appl #1&2: Adapter Board Detail

Lower Left Corner of Demo Board with one Adapter Broken away



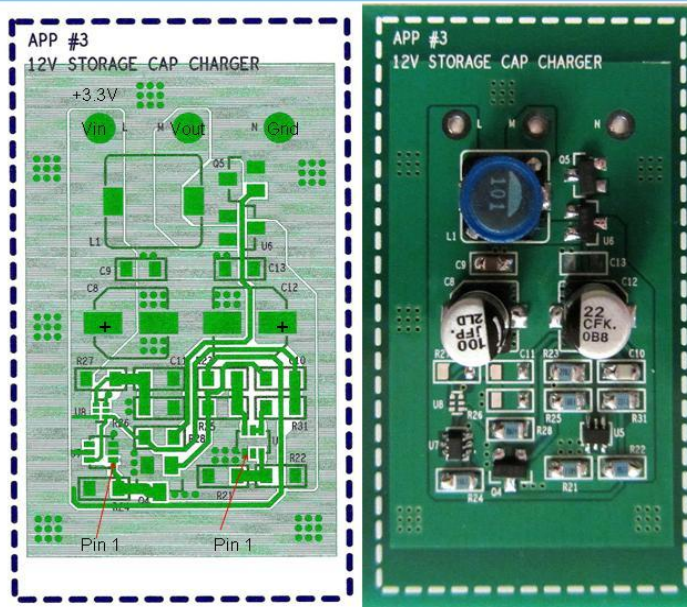
Once the Adapter is removed from the demo board, it can be trimmed with heavy scissors to reduce the adapter size even more if needed.



Figure 3. Break-Away Part Adapters



Appl #3: Energy Storage Cap Charger



Features:

1. Low Standby Power: ~3mW
2. Minimum parts Count
3. Input voltage Range: 1.2v to 6 volts
4. Wide temperature range: -55 to 150C
5. Output voltage Range:
7.5 to >30volts (limited by Q5 & C12)
6. Constant On-Time Boost Topology
7. Maximum Output Power:
8. Output Leakage Current: <5nA

NOTE: A BJT may be used for Q3 to lower the cost and increase the breakdown voltage. A KDS1616 or MPS651 will work well at the cost of some loss in efficiency. A base resistor value of 270 ohms should be employed.

Figure 4. Energy Storage Capacitor Charger

Appl #4: Voltage Regulator & Ref

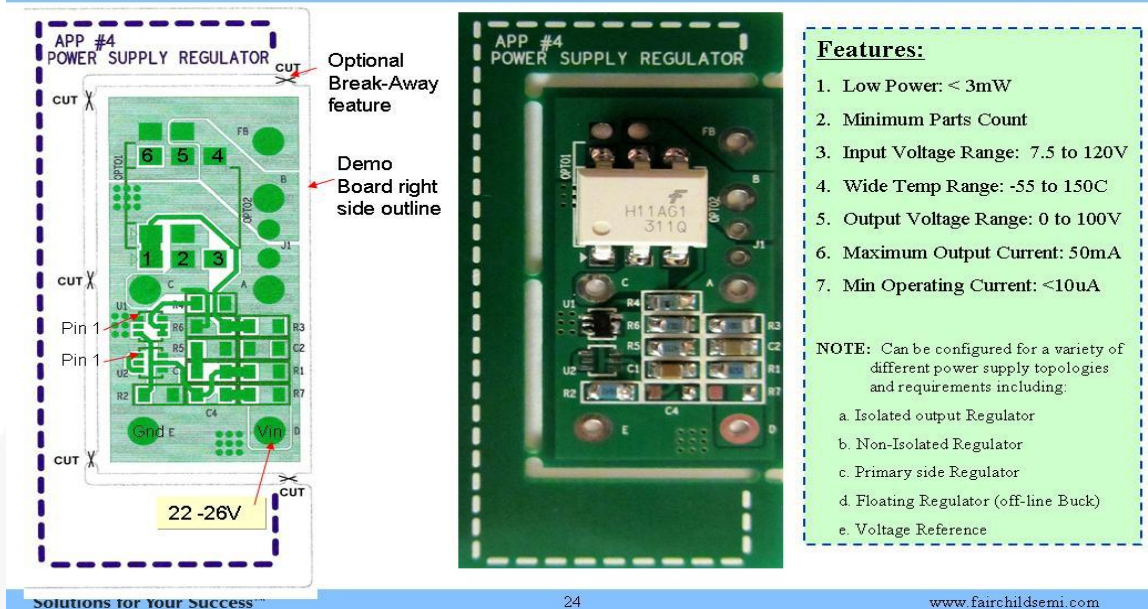


Figure 5. Power Supply Voltage Regulator

Appl #5: Low-Cost, Low-Voltage Aux Reg “BJT and Zener are Independent Components”

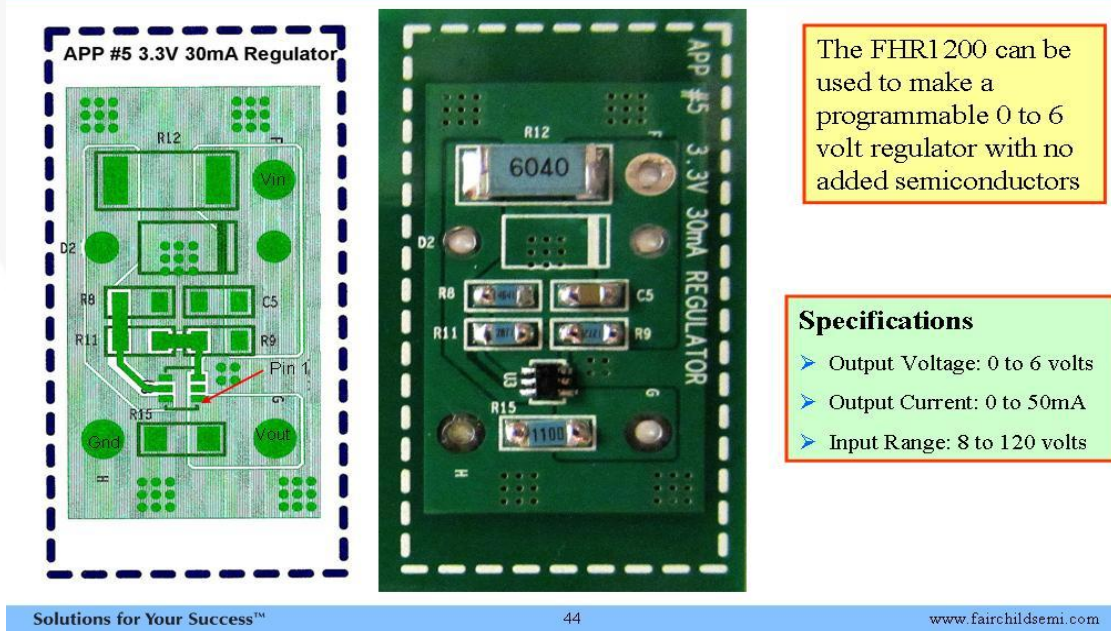
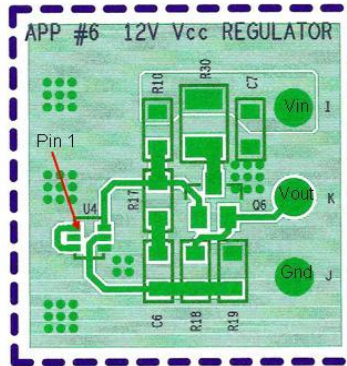


Figure 6. Low-Voltage Auxiliary Regulator

Appl #6: Simple, Vcc or Brown-Out Reg "LM431 Configured"

Unbuilt PCB



Built as 12 volt Regulator



Specifications

1. 12 volts regulated output
2. Input current with 16 volt input, and no load: 46uA
3. Max input voltage: 120v
4. Maximum output current: depends upon series transistor.
5. Regulator Output Programmable Voltage Range: 7.5 to 120 volts
6. Power Dissipation, 16volt input no load: 0.474 mW

NOTE: Series transistor used was high gain BJT. Darlington or FET could be used for higher output current

NOTE: Built using LM431 configuration to minimize standby current.

Figure 7. Low-Cost V_{CC} or Brownout Regulator

3. Application Circuit Details

3.1. Application #3: Energy Storage Capacitor Charger

This circuit is used to charge an energy storage capacitor to 12 V. This voltage was selected based on the requirements of a smart meter customer. Other voltages could have been used by modifying the value of resistor R22. The maximum regulated output voltage is limited by the breakdown voltage of the switch transistor, Q5, and of diodes, U6. Some smart meters only consume around 250 mW, 99% of the time, so can use a single 3.3 V low-power offline supply to maximize overall efficiency. However, to transmit, they require much higher voltage for a few milliseconds. This can be pulled from a storage capacitor charged to a higher voltage. The charger must be very efficient and consume little power once the capacitor is charged to the pre-determined voltage.

The PCB layout allows the circuit to be built two ways. The supplied board uses the BJT, Q4, and the logic inverter, U7. An alternate method using the comparator, U8, would have a lower parts count and improved efficiency, but had not been tested at the time the board was built and verified.

Dual diodes, U6, minimize the output leakage current of the charger to minimize the discharge of the outboard energy storage capacitor. During operation, the circuit charges the energy storage capacitor until the capacitor voltage reaches 12 V. The circuit then starts to pulse very slowly to overcome the circuit leakages.

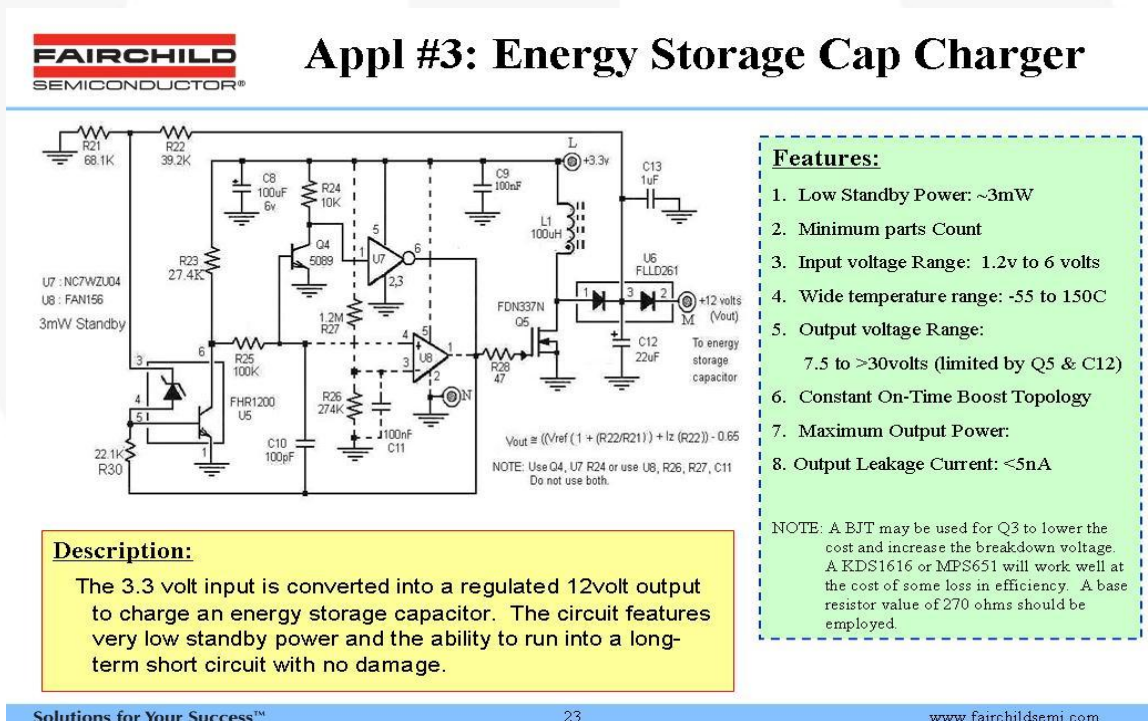
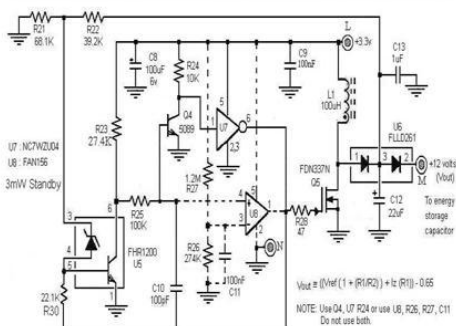


Figure 8. Energy Storage Capacitor, Regulated High-Efficiency Charger

Energy-Cap Charger Circuit Operation

Application #3: Capacitor, Charger



Circuit Elements: The FHR1200 regulates the output voltage of the charger and resets the PWM generator. U7 and the BJT(Q4) form a non-inverting low-input current amplifier with hysteresis. The BJT E-B voltage acts as a reference voltage for the PWM ramp generator. R23 plus R25 form a current source to charge C10 during off time. Resistor R22 and R21 act as a voltage divider for the output voltage. The output reference voltage is the sum of the zener voltage and the BJT E-B voltage. Together they form a temperature stable ~7.4volt reference. U6 isolates the output from the voltage regulation loop to aid regulation.

Circuit Operation

When power is applied, The voltage on C10 and C13 will be close to zero. Q4 will be off, the voltage on pin 1 of U7 will be high, the output for U7 will be low, Q5 will be off, and the feedback voltage thru R21 and R22 will be zero and U5 will be off.

C10 will begin to charge thru R23 and R25 until the voltage on the base of Q4 reaches ~ +0.65 volts; and Q4 starts to conduct and the voltage on pin 1 of U7 goes low. This causes the output of U7 to be high which drives the gate of Q5 high turning on the FET. The high also forces the low side of the integrator capacitor C10 high along with R30 turning the FHR1200 BJT on. The high on the low side of C10 is coupled to the base of Q4 further turning Q4 on. This condition will remain until resistor R25 discharges C10 below the conduction threshold of Q4 and Q4 turns off. During the discharge interval, Q5 was on and current was ramping up in inductor L1.

When Q4 turns off, the output of U7 goes low, and Q5 turns off the energy in L1 starts to discharge into capacitor C12 and the external energy storage capacitor voltage causing the voltage on the capacitor to rise. Q4 will remain off until timing capacitor C10 recharges, via the current thru R23 and R25, to ~0.65 volts. For regulation, the C10 charging current is modulated by the conduction of the FHR1200 BJT. The conduction of the FHR1200 BJT is controlled during the during off time via the output voltage feedback resistors R22, R21.

Figure 9. Energy Storage Capacitor Charger, Circuit Operation

3.2. Application #4: Voltage Regulator & Reference

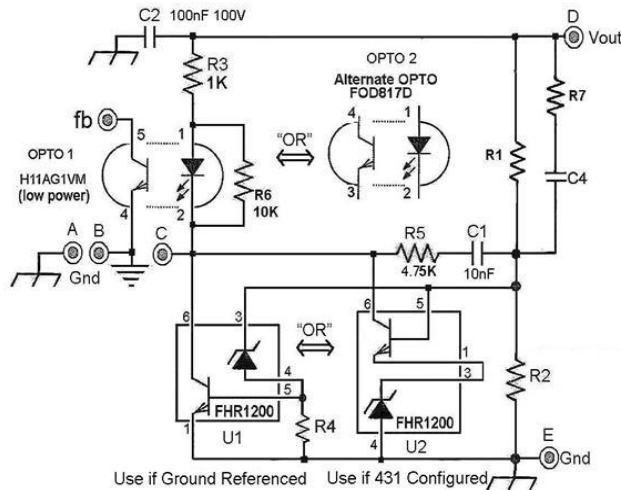
Application circuit #4 can be used for voltage regulation on many power supply topologies and on isolated, non-isolated, primary side, and floating applications. It can also be used as a 7.5 V thermally stable, wide temperature range, low-current, voltage reference. The small circuit allows it to directly replace existing regulators on power supplies for evaluation. The circuit is arranged to be broken off the main board to facilitate prototyping.

The PCB layout allows the circuit to be built in a variety of ways to facilitate:

1. Isolated regulation using one of two possible OPTO isolators. The FOD817D OPTO isolator provides the lowest cost regulation. The H11AG1VM OPTO isolator provides the highest efficiency regulation. H11AG1VM is specified to operate to less than 200 μ A, while the FOD817D is specified to operate to a minimum of 1.0 mA.
2. Non-isolated operation by removing both OPTOs.
3. Grounded-output operation that directly drives a controller to minimize parts count and cost, or to configure the FHR1200 regulator as an LM431-type stacked regulator.
4. Isolated output-side regulation. It may also be configured for: non-isolated output-side regulation, primary-side regulation, or floating regulation with a buck regulator.
5. Building a thermally compensated, wide input range, voltage reference.

Appl #4: Voltage Regulator & Ref

Overall Demo Board Schematic



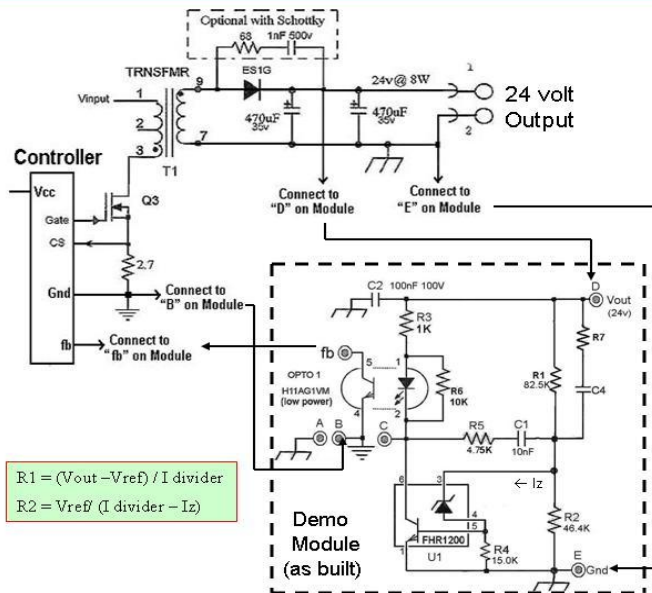
The module can be built many different ways to accommodate different applications

1. Use OPTO or Do not use OPTO
2. A 6-pin or 4 pin OPTO may be used
3. Ground Referenced FHR1 200
4. LM431 Configured FHR1 200
5. Output side regulation: Isolated or non-isolated
6. Primary side regulation
7. Floating Regulation
8. Voltage Reference

Figure 10. Application Circuit #4: Overall Schematic

Appl #4: Isolated Output Regulator

“Assembled for Ground Referenced Supply”



Divider Resistor Calculation

1. Vout=24 volts
2. Iz=40uA
3. hfe ~ 200
4. Ic ~ 250uA
5. I divider = 200uA
5. I bias = 1.25 uA at 25C (BJT bias)
6. Vref = 7.36 volts at 25C
7. R1 calculation: $(24 - 7.36) / 200\mu A = 83.2K$
8. Set R1 to closest 1% value: 82.5K
9. R2 calculation: $Vref / (200\mu A - 40\mu A) = 46K$
10. Set R2 to closest 1% value: 46.4K

NOTE: R4 set from table (slide 27)

Specifications:

1. Operating current: 450uA
2. Power Dissipation: 10.8mW
3. Thermally Stable: <50ppm (-55 to 35C)
5. Output Voltage: 24 volts

Figure 11. Application Circuit #4: Isolated Output, Grounded Output Regulator

Table 1 illustrates how the FHR1200 reference V_{BE} and V_{REF} voltages are related at 40 μA reference current in the grounded configuration over temperature. At 40 μA , the reference is very stable, as shown in Figure 12. Table 2 provides additional data for designers to determine the optimum operating currents for a design and gives the optimum value for resistor R4. R4 sets the Zener current in the grounded configuration.

Figure 12 illustrates the stability of the FHR1200 reference at 200 μA or 1.0 mA collector current and 40 μA Zener current in the grounded configuration. The FHR1200 reference voltage is the sum of the Zener voltage plus the base emitter voltage of the BJT, which also serves as the error amplifier. The BJT base-emitter temperature coefficient (“tempco”) is approximately $-2.2\text{ mV}/^\circ\text{C}$. The Zener was selected to have a tempco that closely matches the BJT base-emitter tempco, but in the opposite direction. Note: Zener temperature coefficients vary widely from one Zener voltage to the next, from manufacture to manufacture, and over applied current. The FHR1200 Zener was selected to provide the most consistent V_{BE} match over temperature.

Table 2 helps determine the optimum resistor values to properly bias the Zener and BJT over temperature. Table 3 provides resistor divider values versus output voltage in the Grounded Configuration.

Table 1-Table 3 and Figure 12 provide the data to set up the FHR1200 regulator.

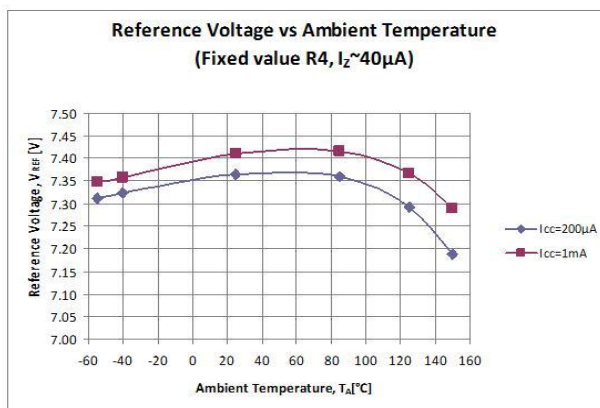
Table 1. V_{BE} and V_{REF} Values at 40 μA : Grounded Configuration

Vbe at Icc=200uA and Iz=40uA							Vref Icc=200uA, Iz=40uA @ 25C						
Test Condition: VCC=17.3V, CL=0.1uF, CN=0.1uF, R3=49.9KQ, ICC=200uA, IZ=40uA							Test Condition: Vcc=17.3V, Cc=0.1uF, C=0.1uF, R3=49.9KQ, R4=9.38K, Icc=200uA, Iz=40uA						
SN	V_{BE}						SN	Reference Voltage, V_{REF}					
	T_A ($^\circ\text{C}$) at							T_A ($^\circ\text{C}$) at					
	-55	-40	25	85	125	150		-55	-40	25	85	125	150
	(V)	(V)	(V)	(V)	(V)	(V)		(V)	(V)	(V)	(V)	(V)	(V)
1	0.7536	0.7100	0.5765	0.4297	0.3347	0.2726	1	7.3162	7.3252	7.3648	7.3726	7.3393	7.2783
2	0.7520	0.7134	0.5668	0.4382	0.3408	0.2879	2	7.3162	7.3256	7.3645	7.3718	7.3394	7.2826
3	0.7507	0.7118	0.5680	0.4336	0.3402	0.2856	3	7.3121	7.3231	7.3673	7.3756	7.3447	7.2893
Min	0.7507	0.7100	0.5668	0.4297	0.3347	0.2726	Min	7.3121	7.3231	7.3645	7.3718	7.3393	7.2783
Max	0.7536	0.7134	0.5765	0.4382	0.3408	0.2879	Max	7.3162	7.3256	7.3673	7.3756	7.3447	7.2893
Average	0.7521	0.7117	0.5704	0.4338	0.3386	0.2820	Average	7.3148	7.3246	7.3655	7.3733	7.3412	7.2834

NOTE 1: $V_{ref} = V_{zener} + V_{be}$
 NOTE 2: V_{be} temp coefficient $\sim -2.2\text{ mV}/^\circ\text{C}$
 NOTE 3: Zener is selected to have $+2.2\text{ mV}/^\circ\text{C}$ at a specific bias

Reference Temp Stability “ Ground Referenced”

Grounded Config: Temp Stability



Output Tempco:

Looking at the graph to the left, the reference voltage will change from ~7.33 volts to 7.29 volts over the temperature range of -40 to 125°C and Icc ~200uA; Iz ~ 40uA (zener current)

Ref Tempco: 61.7 ppm/°C (-40 to 125°C)

$$TCV_{REF}(\frac{ppm}{^{\circ}C}) = \frac{\left(\frac{V_{REF(dev)}}{V_{REF}(T_A=25^{\circ}C)} \right) * 10^6}{\Delta T}$$

NOTE: Some of the error is due to the reference input current variation over temperature. The reference voltage is the sum of Vbe plus Vz.

Figure 12. Reference Temperature Stability at 200 µA & 1 mA: Grounded Configuration

Table 2. Resistor Divider Values vs. Output Voltage: Grounded Configuration (Iz, hfe, IB, VBE, TA=55°C to 150°C, Icc=200 µA, 1 mA)

25c	R4 Fixed at 25c value	-55c	-40c	25c	85c	125c	150c	
Iz = 25uA	Icc = 200uA, R4 = 23.2K	Iz = 3.41E-05	3.22E-05	2.52E-05	1.93E-05	1.52E-05	1.28E-05	
		Hfe = 1.25E+02	1.50E+02	2.60E+02	3.40E+02	4.10E+02	6.60E+02	
		BJT Ib = 1.60E-06	1.33E-06	7.69E-07	5.88E-07	4.88E-07	3.03E-07	
		Vbe = 7.54E-01	7.15E-01	5.67E-01	4.33E-01	3.42E-01	2.90E-01	
		Icc = 1mA, R4 = 28.7K	Iz = 3.39E-05	3.23E-05	2.50E-05	1.97E-05	1.63E-05	1.44E-05
		Hfe = 1.50E+02	1.60E+02	2.75E+02	3.50E+02	4.00E+02	4.60E+02	
Iz = 40uA		BJT Ib = 6.67E-06	6.25E-06	3.64E-06	2.86E-06	2.50E-06	2.17E-06	
		Vbe = 7.81E-01	7.47E-01	6.12E-01	4.82E-01	3.97E-01	3.51E-01	
		Icc = 200uA, R4 = 14.3K	Iz = 5.42E-05	5.11E-05	4.07E-05	3.09E-05	2.42E-05	2.00E-05
		Hfe = 1.25E+02	1.50E+02	2.60E+02	3.40E+02	4.10E+02	6.60E+02	
		BJT Ib = 1.60E-06	1.33E-06	7.69E-07	5.88E-07	4.88E-07	3.03E-07	
		Vbe = 7.52E-01	7.12E-01	5.70E-01	4.34E-01	3.39E-01	2.82E-01	
Iz = 60uA		Icc = 1mA, R4 = 16.5K	Iz = 5.40E-05	5.16E-05	4.05E-05	3.21E-05	2.63E-05	2.33E-05
		Hfe = 1.50E+02	1.60E+02	2.75E+02	3.50E+02	4.00E+02	4.60E+02	
		BJT Ib = 6.67E-06	6.25E-06	3.64E-06	2.86E-06	2.50E-06	2.17E-06	
		Vbe = 7.82E-01	7.48E-01	6.09E-01	4.82E-01	3.93E-01	3.48E-01	
		Icc = 200uA, R4 = 9.53K	Iz = 8.22E-05	7.63E-05	6.13E-05	4.62E-05	3.58E-05	3.09E-05
		Hfe = 1.25E+02	1.50E+02	2.60E+02	3.40E+02	4.10E+02	6.60E+02	
Iz = 60uA		BJT Ib = 1.60E-06	1.33E-06	7.69E-07	5.88E-07	4.88E-07	3.03E-07	
		Vbe = 7.55E-01	7.03E-01	5.69E-01	4.27E-01	3.35E-01	2.86E-01	
		Icc = 1mA, R4 = 10.7K	Iz = 7.95E-05	7.60E-05	6.02E-05	4.79E-05	3.93E-05	3.44E-05
		Hfe = 1.50E+02	1.60E+02	2.75E+02	3.50E+02	4.00E+02	4.60E+02	
		BJT Ib = 6.67E-06	6.25E-06	3.64E-06	2.86E-06	2.50E-06	2.17E-06	
		Vbe = 7.80E-01	7.46E-01	6.06E-01	4.82E-01	3.94E-01	3.45E-01	

Table 3. Resistor Divider Values vs. Output Voltage: Grounded Configuration

Vout (volts)	Vref (volts)	Idiv (uA)	Icc (uA)	Ic (uA)	Vbe (volts)	Iz (uA)	R1 (K)	R2 (K)	R4 (K)	R1 1% (K)	R2 1% (K)	R4 1% (K)	Power (mW)
8	7.36	200	450	250	0.5704	40	3.2	46	14.261	3.24	46.4	15	3.6
9	7.36	200	450	250	0.5704	40	8.2	46	14.261	8.25	46.4	15	4.05
10	7.36	200	450	250	0.5704	40	13.2	46	14.261	13.3	46.4	15	4.5
12	7.36	200	450	250	0.5704	40	23.2	46	14.261	23.2	46.4	15	5.4
15	7.36	200	450	250	0.5704	40	38.2	46	14.261	38.3	46.4	15	6.75
18	7.36	200	450	250	0.5704	40	53.2	46	14.261	53.6	46.4	15	8.1
19	7.36	200	450	250	0.5704	40	58.2	46	14.261	57.6	46.4	15	8.55
20	7.36	200	450	250	0.5704	40	63.2	46	14.261	63.4	46.4	15	9
24	7.36	200	450	250	0.5704	40	83.2	46	14.261	82.5	46.4	15	10.8
36	7.36	200	450	250	0.5704	40	143	46	14.261	143	46.4	15	16.2
48	7.36	200	450	250	0.5704	40	203	46	14.261	205	46.4	15	21.6
75	7.36	200	450	250	0.5704	40	338	46	14.261	340	46.4	15	33.75
100	7.36	200	450	250	0.5704	40	463	46	14.261	464	46.4	15	45

Figure 13 illustrates how Application Circuit #4 can be modified for an LM431-type configuration. This configuration stacks the Zener and the BJT so that the same current that flows through the Zener flows through the base-emitter of the BJT. The circuit uses one less component and can operate at currents below 10 uA.

Appl #4: Isolated Output Regulator "431 Configured"

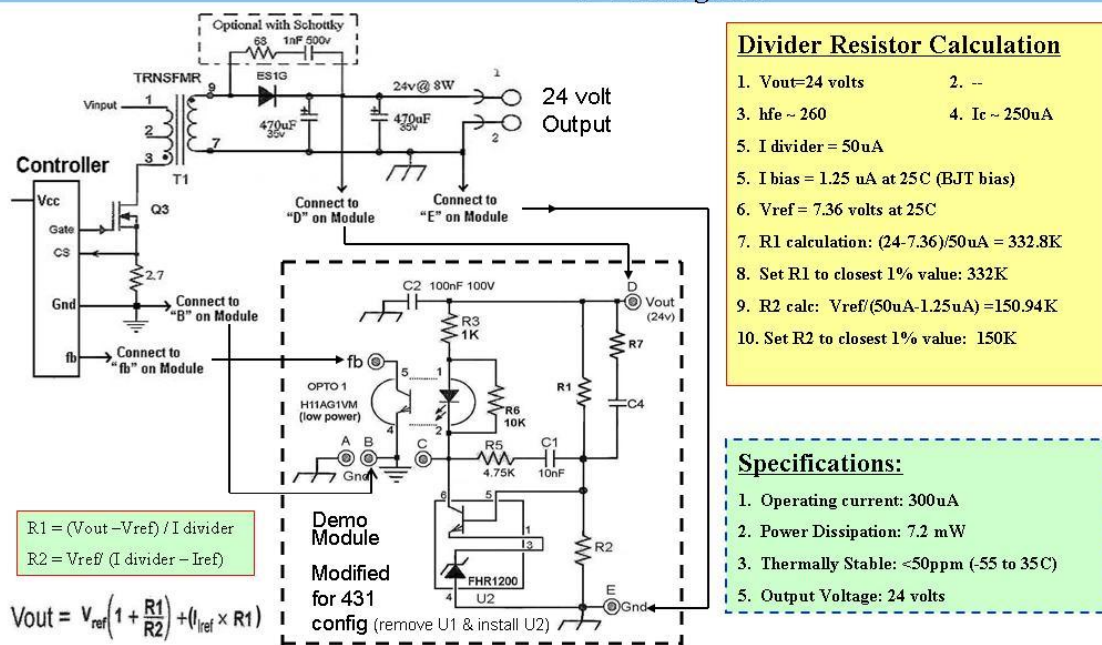


Figure 13. Isolated Output Regulator: 431 Configuration

Table 4 gives the voltage divider values for different regulator voltages given a 200 μA collector current and a 50 μA divider current.

Table 4. Resistor Divider Values for Isolated Output Regulator

Vout (volts)	Vref (volts)	Idivider (μA)	Icc (μA)	Ic (μA)	Iref (μA)	Temp $^{\circ}\text{C}$	R1 (K)	R2 (K)	R1 1% Value	R2 1% Value
8	7.39	50	200	250	1.25	25	12.2	150.11	12.1	150
9	7.39	50	200	250	1.25	25	32.2	150.11	32.4	150
10	7.39	50	200	250	1.25	25	52.2	150.11	52.3	150
12	7.39	50	200	250	1.25	25	92.2	150.11	93.1	150
15	7.39	50	200	250	1.25	25	152.2	150.11	154	150
18	7.39	50	200	250	1.25	25	212.2	150.11	210	150
19	7.39	50	200	250	1.25	25	232.2	150.11	232	150
20	7.39	50	200	250	1.25	25	252.2	150.11	243	150
24	7.39	50	200	250	1.25	25	332.2	150.11	332	150
36	7.39	50	200	250	1.25	25	572.2	150.11	576	150
48	7.39	50	200	250	1.25	25	812.2	150.11	806	150
75	7.39	50	200	250	1.25	25	1352.2	150.11	1370	150
100	7.39	50	200	250	1.25	25	1852.2	150.11	1870	150

Figure 14 shows how application circuit #4 can be used to make a non-isolated output regulator. The grounded configuration is used because the output of the regulator must directly drive a power supply controller to ground on the feedback pin. The values of R1 and R2 were selected for an output voltage of 24 V. R4 was selected to set the Zener current to 25 μA .

Table 5 provides the V_{BE} and V_{REF} voltage when the Zener current (I_Z) is set to 25 μA and the collector current is set to 200 μA . This biasing reduces the regulator power dissipation to 2.4 mW with a 24 V output voltage.

Appl #4: Non-Isolated Output Regulator “Ground Referenced”

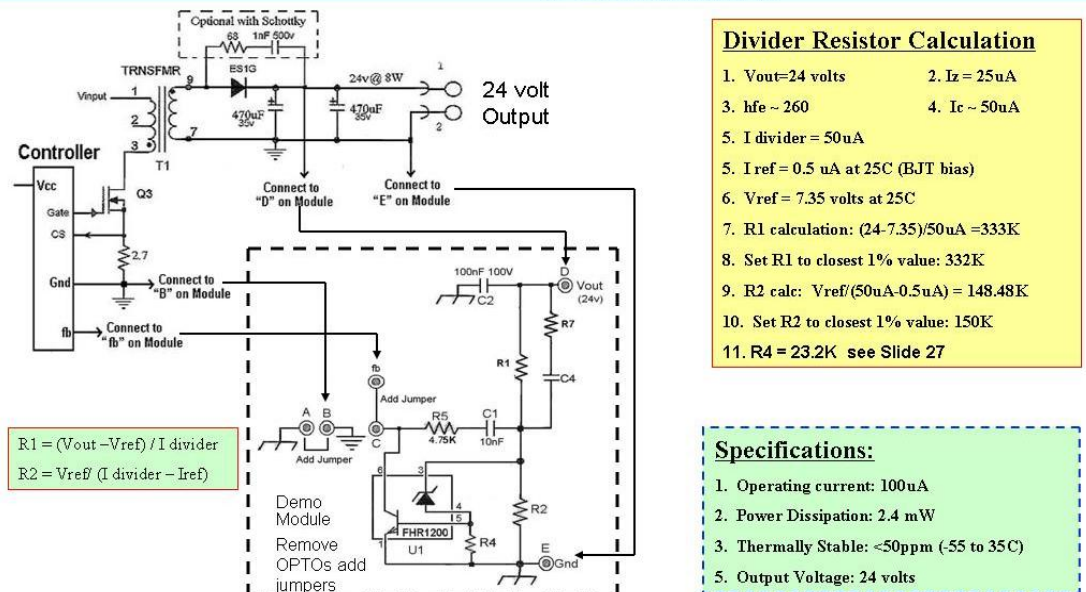


Figure 14. Non-Isolated Output Regulator: Grounded Configuration

Table 5. V_{BE} & V_{REF} Performance Over-Temperature: Grounded Configuration

V_{be} at I_{cc}=200uA and I_z=25uA

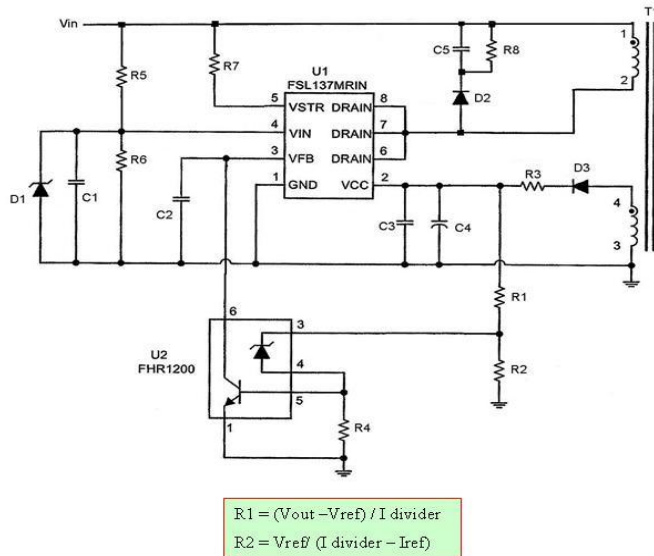
SN	Base-Emitter Voltage, V _{BE}					
	T _A (°C) at					
	-55	-40	25	85	125	150
(V)	(V)	(V)	(V)	(V)	(V)	
1	0.7554	0.7157	0.5663	0.4286	0.3396	0.2852
2	0.7536	0.7166	0.5681	0.4375	0.3442	0.2945
3	0.7518	0.7137	0.5683	0.4330	0.3431	0.2889
Min	0.7518	0.7137	0.5663	0.4286	0.3396	0.2852
Max	0.7554	0.7166	0.5683	0.4375	0.3442	0.2945
Average	0.7536	0.7153	0.5672	0.4330	0.3423	0.2895

V_{ref} I_{cc}=200uA, I_z=25uA @ 25C

SN	Reference Voltage, V _{REF}					
	T _A (°C) at					
	-55	-40	25	85	125	150
(V)	(V)	(V)	(V)	(V)	(V)	
1	7.3139	7.3215	7.3491	7.3347	7.2740	7.1858
2	7.3142	7.3221	7.3491	7.3337	7.2749	7.1921
3	7.3128	7.3226	7.3515	7.3378	7.2804	7.1997
Min	7.3128	7.3215	7.3491	7.3337	7.2740	7.1858
Max	7.3142	7.3226	7.3515	7.3378	7.2804	7.1997
Average	7.3136	7.3221	7.3499	7.3354	7.2764	7.1925

Appl #4: Primary Side Regulator

“Ground Referenced”



Features

- > Isolated Output
- > Low Cost: No OPTO, fewer parts
- > Simple Design

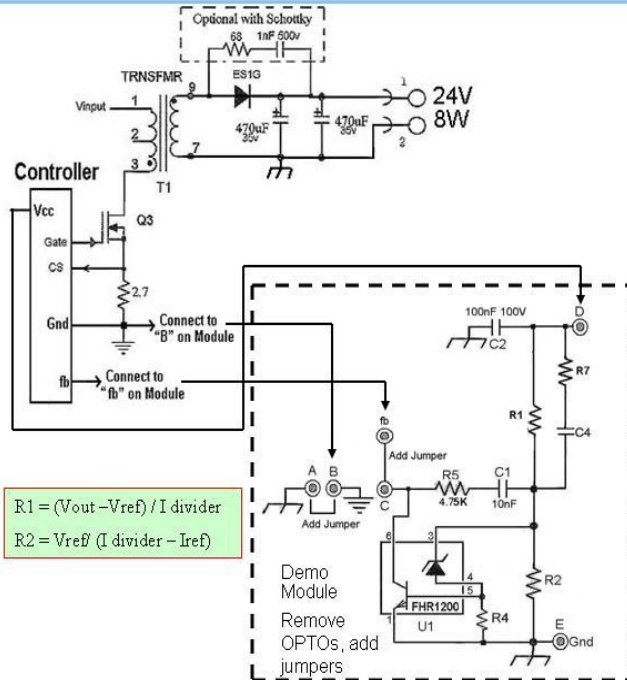
Specifications:

1. Low Power: < 3mW
2. Minimum Parts Count
3. Input Voltage Range: 7.5 to 120V
4. Wide Temp Range: -55 to 150C
5. Output Voltage Range: 0 to 100V
6. Maximum Output Current: 50mA
7. Min Operating Current: <10uA

Figure 15. Basic Concept of Primary-Side Regulator: Grounded Configuration

Appl #4: Primary Side Regulator

“Ground Referenced, Isolated”



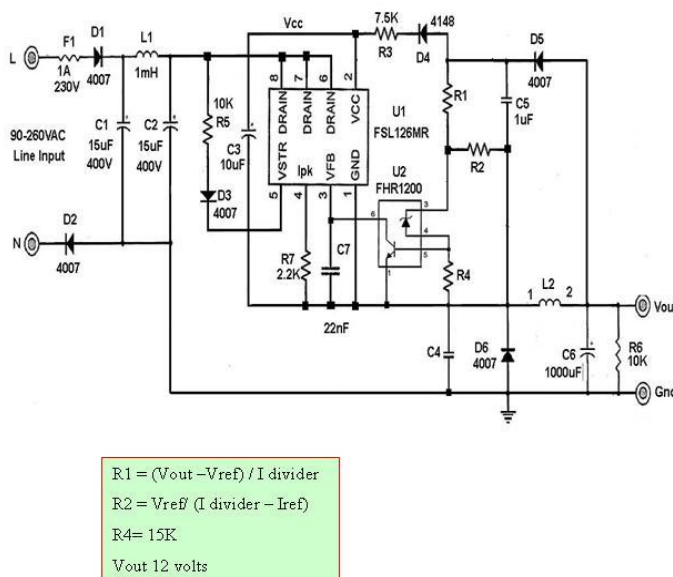
- Divider Resistor Calculation**
1. Vcc= 14 volts
 2. Iz = 40uA
 3. hfe ~ 260
 4. Ic ~ 100uA
 5. I divider = 200uA
 5. I ref = 0.4 uA at 25C (BJT bias)
 6. Vref = 7.36 volts at 25C
 7. R1 calculation: (14-7.36)/100uA =66.4K
 8. Set R1 to closest 1% value: K
 9. R2 calc: Vref/(100uA-0.4uA) = 73.895K
 10. Set R2 to closest 1% value: K
 11. R4 = 15K see Slide 27

- Specifications:**
1. Operating current: 300uA
 2. Power Dissipation: 3.6mW
 3. Thermally Stable: <50ppm (-55 to 35C)
 5. Regulation Voltage: 14 volts

Figure 16. Primary-Side Regulator Based on App #4: Grounded Configuration

Appl #4: Floating Buck Regulator

“Ground Referenced, Non-Isolated”



- Features**
- Non-Isolated Output
 - Low Cost: fewer parts
 - Simple Design

- Specifications:**
1. Low Power: < 3mW
 2. Minimum Parts Count
 3. Input Voltage Range: 7.5 to 120V
 4. Wide Temp Range: -55 to 150C
 5. Output Voltage Range: 0 to 100V
 6. Maximum Output Current: 50mA
 7. Min Operating Current: <10uA

Figure 17. Concept of Floating Regulator Based on App #4 Circuit

Appl #4: Floating Buck Regulator “Ground Referenced Reg, Non-Isolated Supply”

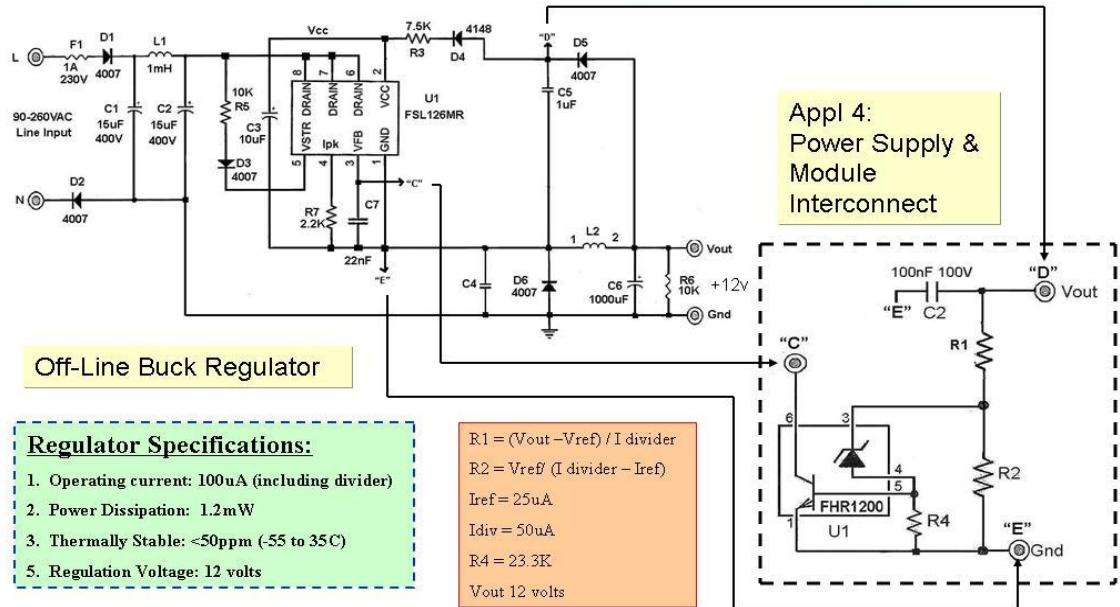
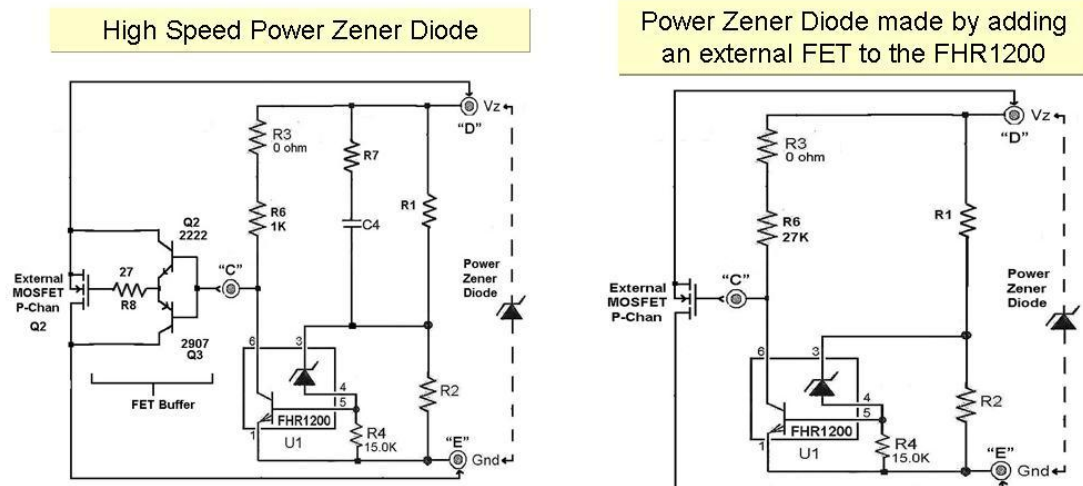


Figure 18. Floating Regulator Using App #4 Circuit: Grounded Configuration

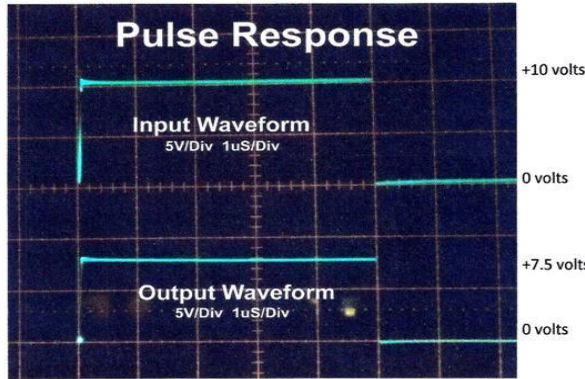
Appl #4: Programmable Power Zener “Ground Referenced”



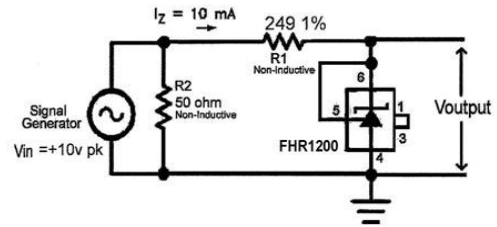
If a zener diode above 5 watts is required, it can be made by adding an external MOSFET to the standard FHR1200 regulator. A FET buffer can be added if faster response is required.

Figure 19. Concept for Programmable Power Zener: App #4 Circuit

Programmable Zener Diode



The large signal response of the FHR1200 is well above 20MHz giving very good pulse response and the ability to use the regulator as a programmable zener diode up to 120 volts.



1. Pulse Generator Risetime <math>< 2nS</math>.
2. Pulse Generator output $Z = 50\text{ ohms}$
3. Pulse Generator output $= >12\text{ volts into } 50\text{ ohms}$

Figure 20. Characterization of FHR1200 used as Zener

FHR1200: Dynamic Impedance vs Frequency

The dynamic impedance versus frequency is low for the FHR1200 over a large frequency range as can be seen in the graph below. The impedance is a function of current and can be further lowered by raising the current to as much as 50mA.

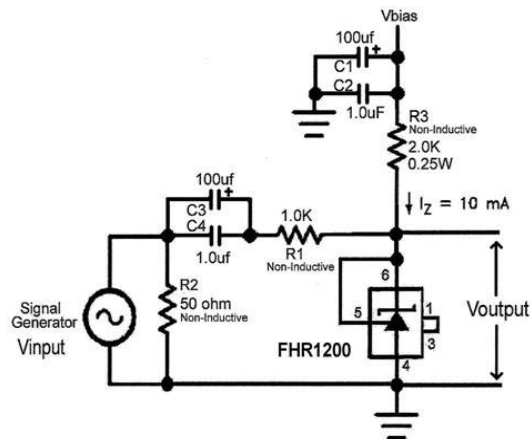
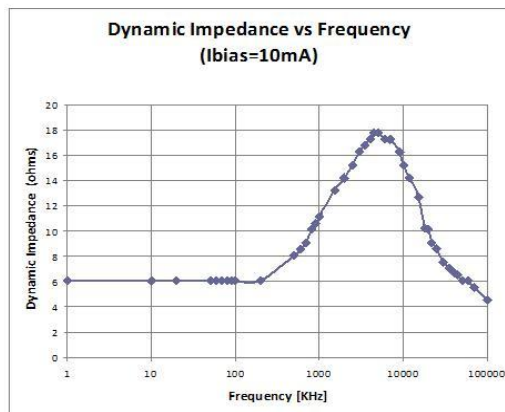
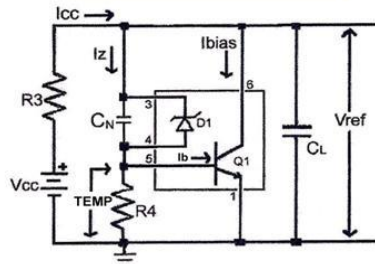


Figure 21. FHR1200 Dynamic Impedance

Appl #4: Voltage Reference “Ground Referenced”

The FHR1200 can be used as a low-cost, temperature stable voltage reference

Reference Test Circuit



NOTE: Capacitors Cn and Cl are optional but can improve noise performance
If Cn=Cl=0.1uF, Cnoise~8uV RMS

Reference Specifications:

1. Operating current: 40uA (R4=15K)
2. Power Dissipation: 0.3mW
3. Thermally Stable: <50ppm
5. Reference Voltage: ~7.4 volts

Demo Board Module Test Circuit

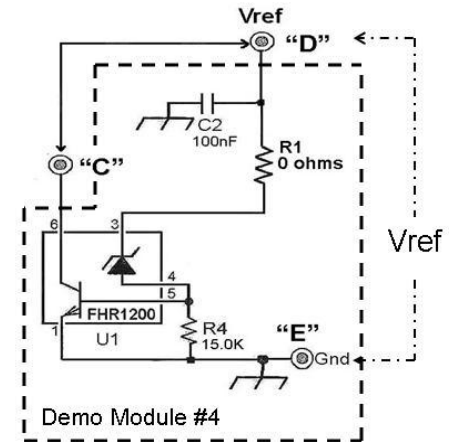
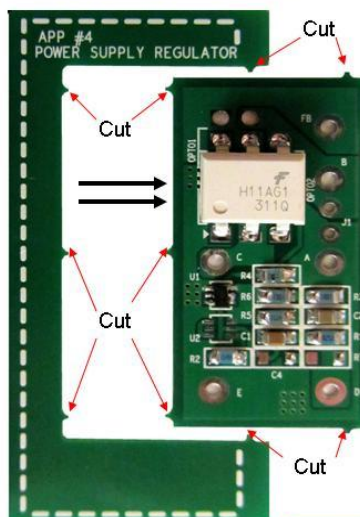


Figure 22. Concept and Actual Voltage Reference Using App #4 Circuit

Appl #4: How to Add to Existing Power Supply “Ground Referenced”

Break Module from Main Demo Board



Original Board

8w Power Supply

Remove Power Supply opto (IC103)



Board with Module Mounted

Solder wires in the air from the PS opto pin holes to extend to module.

Solder wires in module opto pin holes.

Add a wire to connect the PS ground to the module ground “E”.

Add a wire from “D” to power supply output.

NOTE: Will need to remove PS high-side OPTO bias resistor and output voltage divider resistor

Appl #4 Module

Figure 23. How to Add the App #4 Module to an Existing Power Supply

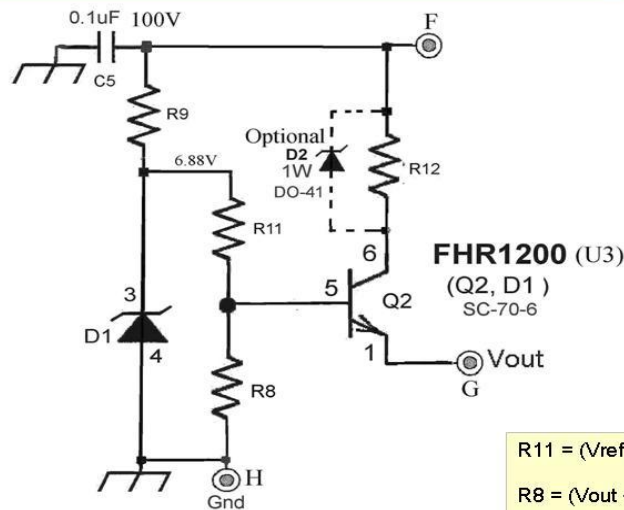
3.3. Application #5: 0 to 6 V Regulator

Application circuit #5 is a 0 V to 6 V, 0 mA to 50 mA voltage regulator made of an FHR1200 and a few resistors. It can be used for voltage regulation where just a few milliamps are needed for an auxiliary circuit, such as a micro-controller. The small size and low-cost of the circuit allows it to be used where space and cost is a consideration.



Appl #5: 0 to 6 volt Regulator

“BJT and Zener are Independent Components”



Specifications

1. Output Voltage: 0 to 6 volts
2. Minimum Parts: Low cost
3. Wide temperature range: -55 to 150C
4. Output Current: 50mA Max*

* Limited by SC-70 package power dissipation. R12 and/or D2 optionally reduce the dissipation in the FHR1200.

$$R11 = (V_{ref} - (V_{out} + V_{be})) / I_{divider}$$

$$R8 = (V_{out} + V_{be}) / (I_{divider} - I_{base})$$

$$V_{out} = (R8 / (R11 + R8)) V_{ref} - (R11 / (R11 + R8)) (I_{base}) - V_{be}$$

Figure 24. Simple, Low-Cost 0 to 6 V Regulator: Application Circuit #5

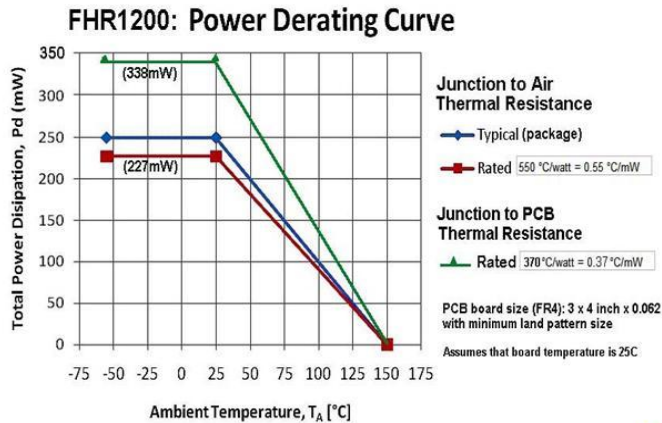
Table 6. Simple, Low-Cost 0 to 6 V Regulator Resistor Values

Vout	hfe	Iout (mA)	Vref (volts)	Ibase (mA)	Vbase (volts)	Vbe (volts)	Idiv (ma)	R11 (K ohm)	R8 (K ohm)	R11 1% (K ohm)	R8 1% (K ohm)
6	250	30	6.8	0.12	6.8	0.68	1	0.00	none	0	none
5	250	30	6.8	0.12	5.68	0.68	1	1.12	6.45	1.10	6.49
4	250	30	6.8	0.12	4.68	0.68	1	2.12	5.32	2.10	5.36
3.3	250	30	6.8	0.12	3.98	0.68	1	2.82	4.52	2.87	4.64
2.5	250	30	6.8	0.12	3.18	0.68	1	3.62	3.61	3.65	3.65
2	250	30	6.8	0.12	2.68	0.68	1	4.12	3.05	4.12	3.09
1.25	250	30	6.8	0.12	1.93	0.68	1	4.87	2.19	4.87	2.21
1	250	30	6.8	0.12	1.68	0.68	1	5.12	1.91	5.11	1.96

$$R11 = (V_{ref} - (V_{out} + V_{be})) / I_{divider}$$

$$R8 = (V_{out} + V_{be}) / (I_{divider} - I_{base})$$

Can the Package Handle the Power?



Conclusions:

1. No De-Rating is needed at 125 degrees centigrade with a 0.0825 C rise.

NOTE: Part operation can include 150 C die temp.

Note: During development the part was tested and characterized over the full -55 C to +150C temperature range. However, the part can operate both at lower and higher temperatures.

Figure 25. FHR1200 Thermal De-Rating

Appl 5: +3.3 Volt Supply with Thermal Calc:

Description:

A simple, low cost, 3.3 volt regulator can be made using the FHR1200 to run a processor or other function

Features:

1. Output Voltage: 3.3 volts
2. Minimum Parts; Low cost
3. Wide temperature range: -55 to 100C
4. Output Current: 30mA Max

Design is based upon Junction to PCB Thermal Resistance = 0.37 C per mW

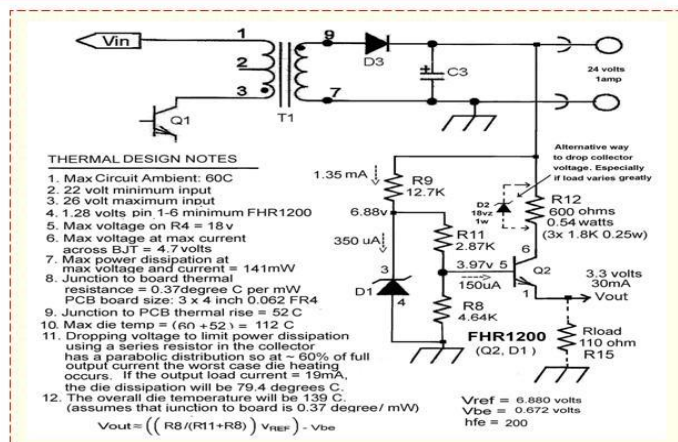


Figure 26. Application #5: 3.3 V Power Supply Thermal Calculation

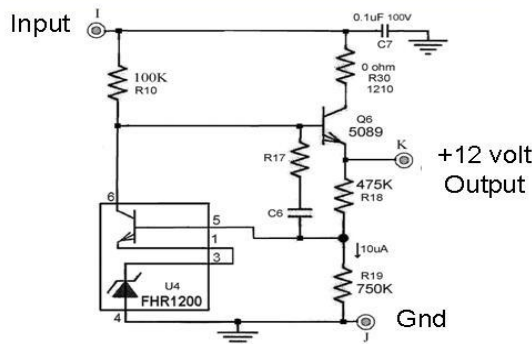
3.4. Application #6: V_{CC} or Brownout Regulator

Many power supply designs require that the V_{CC} voltage be regulated for the controller. The FHR1200 low operating current, high voltage, and wide temperature range make it a good choice for general regulation applications.



Appl #6: Simple, V_{CC} or Brown-Out Reg “LM431 Configured”

Application #6: 12 volts Regulator



Discussion

Application #6 was setup as a 12 volt regulator. To change the voltage simply adjust the ratio of R18 and R19 to regulate from 8volts to 120 volts. The output current and input voltage was limited by using a small signal BJT (Q6) as a pass transistor. The circuit can drive BJTs, Darlingtons, and MOSFETs to both raise the operating voltage and output current to what is needed by the designer. The present design was optimized for very low standby power at voltages from 8 to 25 volts.

$$R1 = (V_{out} - V_{ref}) / I_{divider}$$

$$R2 = V_{ref} / (I_{divider} - I_{ref})$$

$$V_{out} = V_{ref}(1 + (R1/R2)) + (I_{ref}R1)$$

Application: R1=R18 R2=R19

Figure 27. Application #6: V_{CC} or Brownout Regulator Design

Table 7. Application #6: V_{CC} or Brownout Regulator Resistor Values, LM431 Configured

Vout	Iout (mA)	Vref (volts)	Iref (uA)	Idiv (uA)	R1 (K ohm)	R2 (K ohm)	R1 1% (Kohm)	R2 1% (Kohm)
8	10	7.39	0.25	10	61.0	758	60.4	750
10	10	7.39	0.25	10	261	758	261	750
12	10	7.39	0.25	10	461	758	475	750
15	10	7.39	0.25	10	761	758	768	750
18	10	7.39	0.25	10	1061	758	1070	750
20	10	7.39	0.25	10	1261	758	1270	750
24	10	7.39	0.25	10	1661	758	1650	750
30	10	7.39	0.25	10	2261	758	2260	750
40	10	7.39	0.25	10	3261	758	3240	750
50	10	7.39	0.25	10	4261	758	4320	750
60	10	7.39	0.25	10	5261	758	5230	750
70	10	7.39	0.25	10	6261	758	6190	750
80	10	7.39	0.25	10	7261	758	7320	750
90	10	7.39	0.25	10	8261	758	8250	750
100	10	7.39	0.25	10	9261	758	9090	750

Formulas

$$R1 = (V_{out} - V_{ref}) / I_{divider}$$

$$R2 = V_{ref} / (I_{divider} - I_{ref})$$

$$V_{out} = V_{ref}(1 + (R1/R2)) + (I_{ref}R1)$$

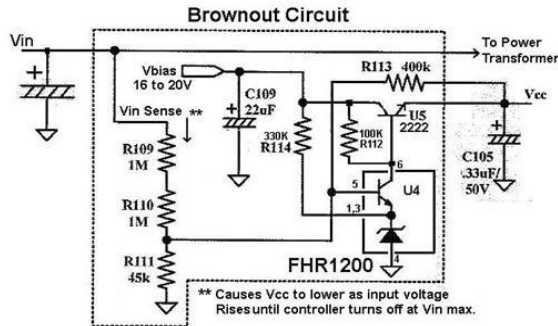
Application: R1=R18 R2=R19

During the calculations, the Vin minimum was assumed to be a few volts higher than the output voltage. The minimum allowed is ~0.5volts. Voltage drop across the regulator during operation will dissipate power. So if the input voltage is significantly higher than the output regulated voltage a resistor (R30) can be added in series with the BJT collector to drop the voltage and lower the FHR1200 dissipation.

The no load power dissipation for the circuit is very low. For example, with 24 volt output (26 volts input), the power dissipation is 10uA*26= 0.26mW.

Appl #6: Simple Aux or Brown-Out Regulator “LM431 Configured”

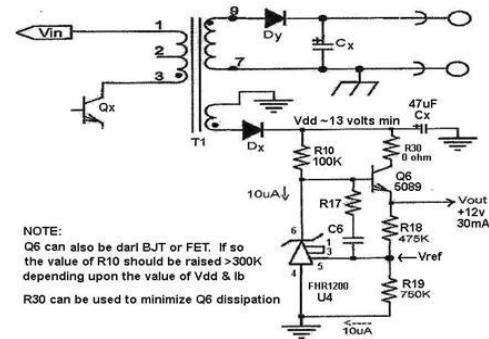
Brownout Regulator



Description

Regulates input voltage (Vbias) to produce regulated output to drive PS controller. Monitors Vin and reduces Vcc as Vin rises until controller turns off due to Vin being too high. It will also turn off the controller if the Vin is too low.

Output Side Auxiliary Regulator



Description

Low standby power regulator (0.474 mW) for secondary power supply outputs. Typically used for low current supplies. Although can be used for much higher currents if a Darlington or FET is used for the series pass transistor.

Figure 28. Application #6: Brownout & Auxiliary Regulator: LM431 Configured

4. Schematic

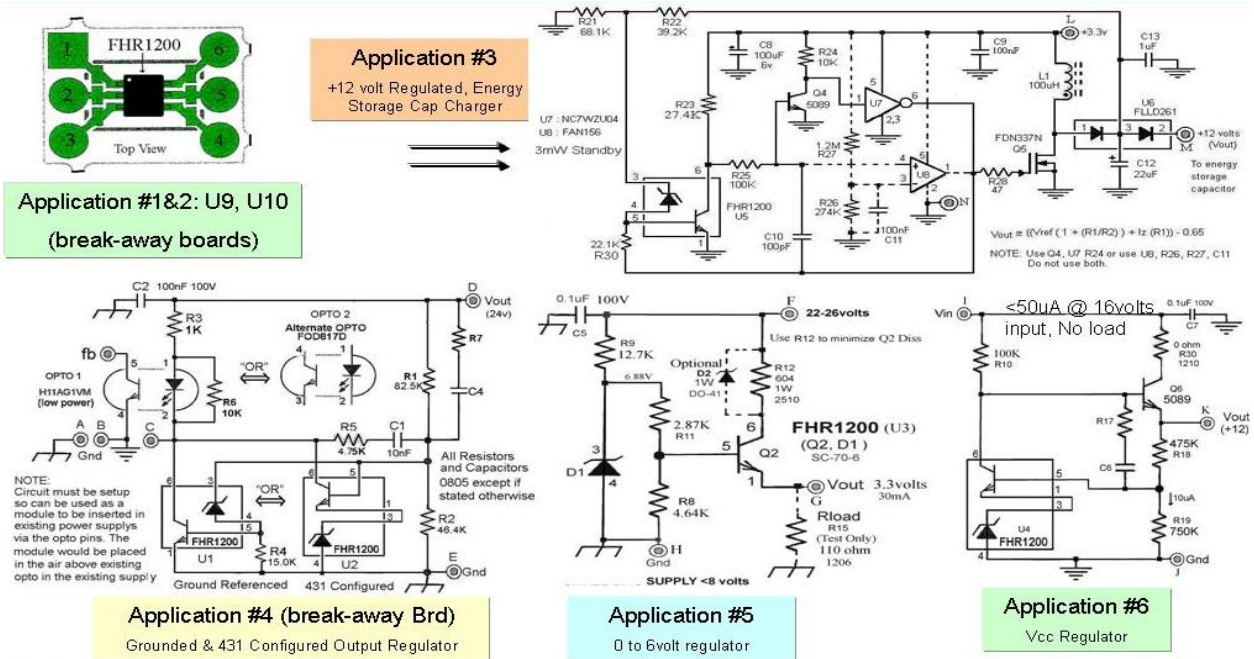


Figure 29. Evaluation Board Schematics

5. Bill of Materials

Item	Description	Distributor	Distributor Part Number	MFG	Qty	Designator	Remarks
Resistors and Pots							
1.	0 Ω 0.5 W 1210 SMT	Mouser	667-ERJ-14Y0R00U	Panasonic	1	R30	
2.	47 Ω 1% 0.125 W 0805 SMT	Mouser	660-RK73H2ATTD47R0F	KOA	1	R28	
3.	110 Ω 1% 0.25 W Resistor 1206 SMT	Mouser	660-RK73H2BTDD1100F	KOA	1	R15	
4.	604 Ω 1 W 2512 SMT	Mouser	660-RK73H3ATTE6040F	KOA	1	R12	
5.	1 kΩ 1% 0.125 W 0805 SMT	Mouser	660-RK73H2ATTD1001F	KOA	1	R3,	
6.	2.87 kΩ 1% 0.125 W 0805 SMT	Mouser	660-RK73H2ATTD2871F	KOA	1	R11	
7.	4.64 kΩ 1% 0.125 W 0805 SMT	Mouser	660-RK73H2ATTD4641F	KOA	1	R8	
8.	4.75 kΩ 1% 0.125 W 0805 SMT	Mouser	660-RK73H2ATTD4751F	KOA	1	R5	
9.	10.0 kΩ 1% 0.125 W 0805 SMT	Mouser	660-RK73H2ATTD1002F	KOA	1	R6, R24	
10.	12.7 kΩ 1% 0.125 W 0805 SMT	Mouser	660-RK73H2ATTD1272F	KOA	1	R9	
11.	15.0 kΩ 1% 0.125 W 0805 SMT	Mouser	660-RK73H2ATTD1502F	KOA	1	R4	
12.	22.1 kΩ 1% 0.125 W 0805 SMT	Mouser	660-RK73H2ATTD2212F	KOA	1	R31	
13.	27.0 kΩ 1% 0.125 W 0805 SMT	Mouser	660-RK73H2ATTD2702F	KOA	1	R23	
14.	39.2 kΩ 1% 0.125 W 0805 SMT	Mouser	660-RK73H2ATTD3922F	KOA	1	R22	
15.	46.4 kΩ 1% 0.125 W 0805 SMT	Mouser	660-RK73H2ATTD4642F	KOA	1	R2	
16.	68.1 kΩ 1% 0.125 W 0805 SMT	Mouser	660-RK73H2ATTD6812F	KOA	1	R21	
17.	82.5 kΩ 1% 0.125 W 0805 SMT	Mouser	660-RK73H2ATTD8252F	KOA	1	R1	
18.	100 kΩ 1% 0.125 W 0805 SMT	Mouser	660-RK73H2ATTD1003F	KOA	2	R10, R25	
19.	274 kΩ 1% 0.125 W 0805 SMT	Mouser	660-RK73H2ATTD2743F	KOA	1	R26	Optional. Do not install
20.	475 kΩ 1% 0.125 W 0805 SMT	Mouser	660-RK73H2ATTD4753F	KOA	1	R18	
21.	750 kΩ 1% 0.125 W 0805 SMT	Mouser	660-RK73H2ATTD7503F	KOA	1	R19	
22.	1.24 MΩ 1% 0.125 W 0805 SMT	Mouser	660-RK73H2ATTD1244F	KOA	1	R27	Optional. Do not install
23.	0.125 W 0805 SMT		Optional		1	R7	Optional. Do not install
24.	0.125 W 0805 SMT		Optional		1	R17	Optional. Do not install
Capacitors							
25.	100 pF COG 5% 100 V Ceramic 0805 SMT	Mouser	581-08051A101J	AVX	1	C10	
26.	10 nF Ceramic Capacitor 50 V 0805 SMT	Mouser	80-C0805C103K5R	Kemet	1	C1	
27.	0.1 μF Ceramic Capacitor 50 V 0805 SMT	Mouser	581-08055C104K	AVX	5	C2, C5, C7, C9, C11	C11 Optional. Do not install
28.	1.0 μF Ceramic Capacitor 50 V 0805 SMT	Mouser	963-UMK212B7105KG-T	Taiyo Yuden	1	C13	Optional. Do not install
29.	22 μF 16 V SMT	Mouser	598-AFK226M16C12T-F	Cornell Dubilier	1	C12	
30.	100 μF 6 V SMT	Mouser	667-EEE-FPJ101UAR	Panasonic	1	C8	
31.	0805 SMT		Optional		1	C4	Optional. Do not install
32.	0805 SMT		Optional		1	C6	Optional. Do not install

Item	Description	Distributor	Distributor Part Number	MFG	Qty	Designator	Remarks
Transistors							
33.	2N5089 NPN Transistor SOT-23	Mouser	512-MMBT5089	Fairchild	2	Q4, Q6	
34.	N-Channel FET SuperSOT™-6	Mouser	512-FDN337N	Fairchild	1	Q5	
Diodes & Rectifiers							
35.	1 W DO-41 Zener		Optional		1	D2	Optional. Do not install
36.	Dual Diode Low Leakage SOT-23		512-FLLD261	Fairchild	1	U6	
Integrated Circuits							
37.	FHR1200 Shunt Regulator SC-70	Mouser	512-FHR1200	Fairchild	7	U1, U2, U3, U4, U5, U9, U10	U2 Optional. Do not install
38.	Opto Isolator, H11AG1M	Mouser	512-H11AG1M	Fairchild	1	OPTO 2	
39.	Opto Isolator, FOD817D	Mouser	512-FOD817D	Fairchild	1	OPTO 1	Optional. Do not install
40.	NC7WZU04 Dual Inv Gate SC-70-6	Mouser	512-NC7WZU04P6X	Fairchild	1	U7	
41.	FAN156 Comparator MicroPak™ 6	Mouser	512-FAN156L6X	Fairchild	1	U8	Optional. Do not install
Inductor & Hardware							
42.	100 µH SMT, 0.5 A, 0.25 Ω	Mouser	810-SLF7045T-101M	TDK	1	L1	

6. Application Circuit Tests

Six application circuits are provided to help designers understand the FHR1200 and how it might be used in an application. The FHR1200 is very flexible and can be used in many diverse applications. Default voltages and operating currents were selected to enable testing, but may require adjustment for a particular application. The design formulas, device curves, and data are supplied in this document and in the FHR1200 datasheet.

FAIRCHILD SEMICONDUCTOR® Connecting the Application Modules for Test

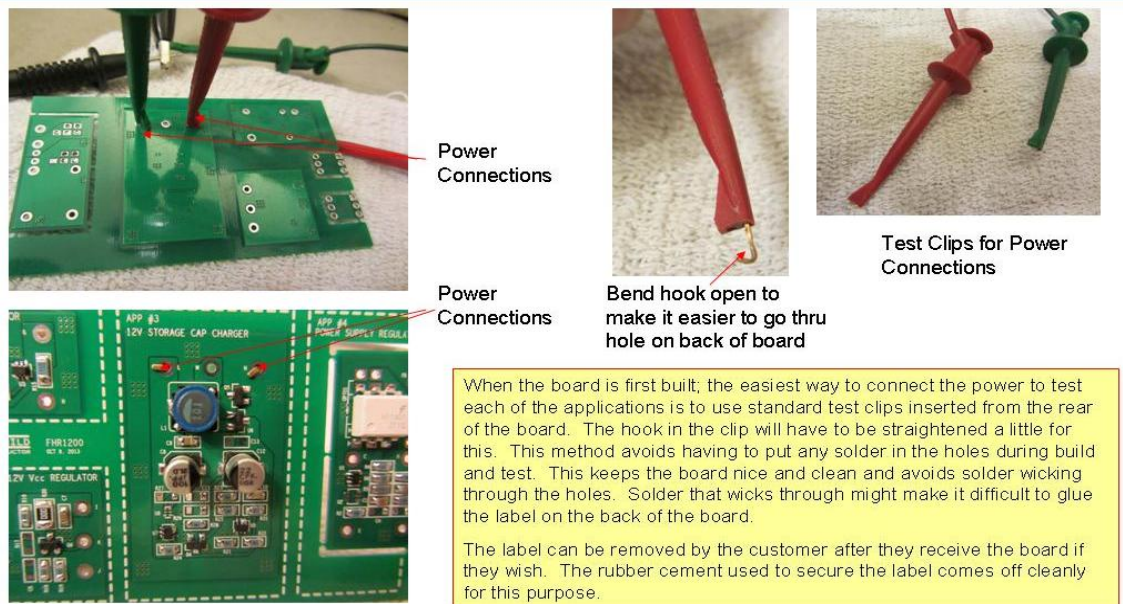


Figure 30. Connecting the Evaluation Board for Test

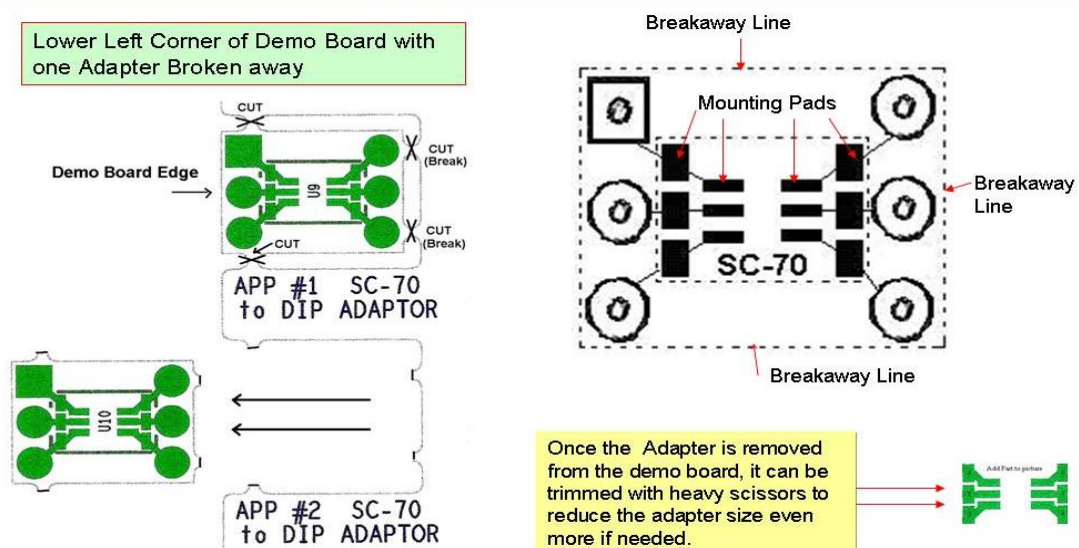
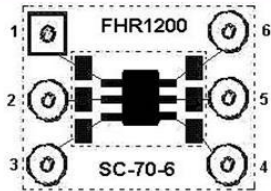


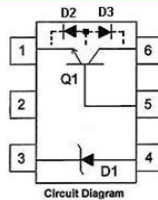
Figure 31. Break-Away Detail for Socket Adaptors

As Originally Built, Application Circuit Tests

Application #1 & 2: SC-70 to DIP Adapter



FHR1200 Pinout



Discussion:

The FHR1200 is very flexible and can serve a number of different applications. To help illustrate this, there are 6 different application circuits on the FHR1200 Demo Board.

Appl #1 & 2: The FHR1200 comes soldered to the adapter boards to make it easy to prototype the part. The BJT and zener diode can be checked for proper installation using a DVM to check the semiconductor junctions. For checking, BJT Q1 can be thought of as two diodes: D2, D3.

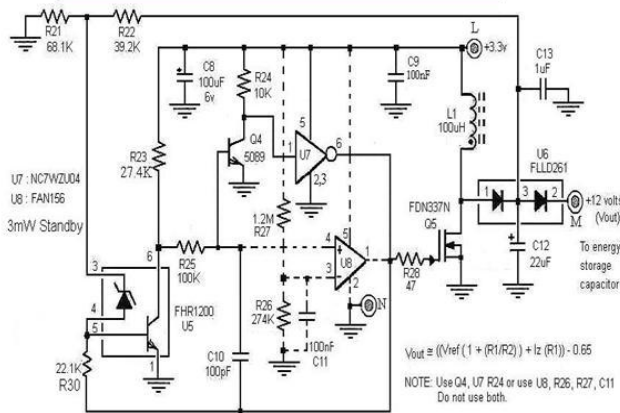
Test Procedure:

1. Set DVM to test "Diode"
2. Test B-E Q1: Place positive (red) lead on FHR1200 pin 5 and the negative lead on pin 1. The DVM should read ~ 0.74 volts
3. Test B-C Q1: Place positive (red) lead on FHR1200 pin 5 and the negative lead on pin 6. The DVM should read ~ 0.74 volts
4. Test zener D1: Place positive (red) lead on FHR1200 pin 4 and the negative lead on pin 3. The DVM should read ~ 0.74 volts
5. Set DVM to "ohms". Test to make sure that there is no connection between pins 2&3; 2&1; 1&6; 4&5

Figure 32. Testing the FHR1200 Devices on the Socket Adapters

As Originally Built, Application Circuit Tests

Application #3: Energy Storage Capacitor, Charger



NOTE: As originally built, R27, R26, U8, C11 are not supposed to be soldered to the application module.

Initial Check

1. Set Test DVM to "ohms" on the 10K scale. Place the red probe to Pin "L" and the black to pin "N".
2. Measure the resistance. At first the resistance should be low as capacitor C8 and C12 charge. Wait 10 seconds. The resistance should be >10K ohms.
3. Verify that the FHR1200 (U5) is installed correctly using the procedure for the Adapter boards.
4. Carefully check that IC U7 is installed correctly and that the components are properly installed and soldered.

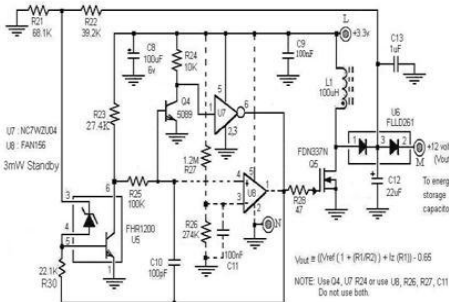
Function Check

1. Connect the positive terminal of a 3.3 volt supply to Pin "L" of the #3 Application. Connect the negative terminal to pin "N". Do not solder anything in the pad holes.
2. Set the test DVM to DC volts and connect it to pins "M" and "N".
3. Turn on the 3.3volt supply. The current should initially be <0.5amp and drop until it is <2mA.
4. The test DVM should read ~ 12 volts.

Figure 33. Test of the Energy Capacitor Charger Operation

As Originally Built, Application Circuit Tests

Application #3: Capacitor, Charger



Circuit Elements: The FHR1200 regulates the output voltage of the charger and resets the PWM generator. U7 and the BJT (Q4) form a non-inverting low-input current amplifier with hysteresis. The BJT E-B voltage acts as a reference voltage for the PWM ramp generator. R23 plus R25 form a current source to charge C10 during off time. Resistor R22 and R21 act as a voltage divider for the output voltage. The output reference voltage is the sum of the zener voltage and the BJT E-B voltage. U6 isolates the output from the voltage regulation loop to aid regulation.

Circuit Operation

When power is applied, The voltage on C10 and C13 will be close to zero. Q4 will be off, the voltage on pin 1 of U7 will be high, the output for U7 will be low, Q5 will be off, and the feedback voltage thru R21 and R22 will be zero and U5 will be off.

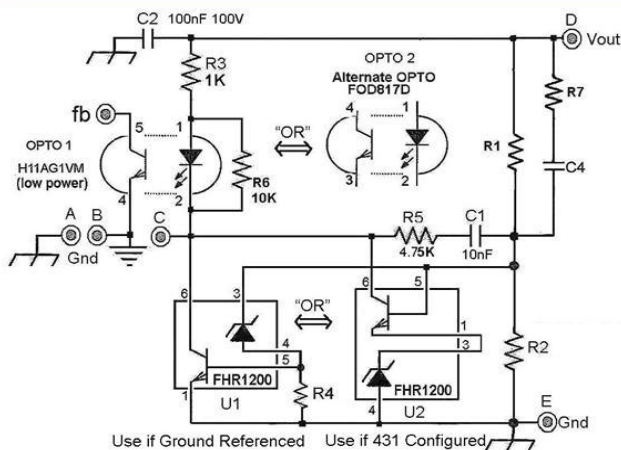
C10 will begin to charge thru R23 and R25 until the voltage on the base of Q4 reaches ~ +0.65 volts; and Q4 starts to conduct and the voltage on pin 1 of U7 goes low. This causes the output of U7 to be high which drives the gate of Q5 high turning on the FET. The high also forces the low side of the integrator capacitor C10 high along with R30 turning the FHR1200 BJT on. The high on the low side of C10 is coupled to the base of Q4 further turning Q4 on. This condition will remain until resistor R25 discharges C10 below the conduction threshold of Q4 and Q4 turns off. During the discharge interval, Q5 was on and current was ramping up in inductor L1.

When Q4 turns off, the output of U7 goes low, and Q5 turns off the energy in L1 starts to discharge into capacitor C12 and the external energy storage capacitor voltage causing the voltage on the capacitor to rise. Q4 will remain off until timing capacitor C10 recharges, via the current thru R23 and R25, to ~0.65 volts. For regulation, the C10 charging current is modulated by the conduction of the FHR1200 BJT. The conduction of the FHR1200 BJT is controlled during the during off time via the output voltage feedback resistors R22, R21.

Figure 34. Energy Capacitor Charger Circuit Operation Description

As Originally Built, Application Circuit Tests

Application #4: Voltage Regulator & Ref



NOTE: As originally built, OPTO 2, R7, C4, U2 are not supposed to be soldered to the application module. R4=15K, R1=82.5K, R2=46.4K

Initial Check

1. Set Test DVM to "ohms" on the 10K scale. Place the red probe to Pin "D" and the black to pin "E".
2. Measure the resistance. The resistance should be >10K ohms.
3. Verify that the FHR1200 U1 is installed correctly using the procedure for the Adapter boards.
4. Carefully check that all the components are properly installed and soldered.

Function Check

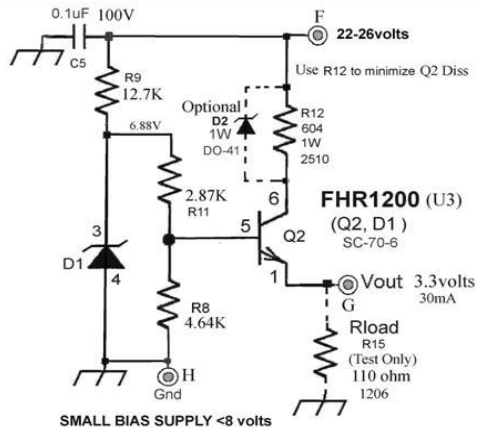
1. Connect the positive terminal of a 22 volt supply to Pin "D" of the Application. Connect the negative terminal to pin "E". Turn on the power supply. The current should be <1.5mA.
2. Increase the power supply voltage to around 24 volts. The power supply current should be >2.2mA.
3. Measure the resistance of "pin "fb" to pin "B". It should be < 400 ohms with the power supply voltage at around 24volts or so.
4. Turn off the power supply.

NOTE: Excitation of the OPTO can be checked using a DVM on the resistance scale from "fb" to "B". At 24 volts "D" to "E" and approximately 2.2mA, the OPTO will measure around 370 ohms. At below 0.5mA "D" to "E", the OPTO, "fb" to "B", will be >10K ohms.

Figure 35. Voltage Regulator Circuit Checkout

As Originally Built, Application Circuit Tests

Application #5: Low-voltage Aux Reg



NOTE: As originally built, D2 is not supposed to be soldered to the application module. R12 or D2 is used to limit the FHR1200 dissipation.

Initial Check

1. Set Test DVM to "ohms" on the 10K scale. Place the red probe to Pin "F" and the black to pin "H".
2. Measure the resistance. The resistance should be >10K ohms.
3. Verify that the FHR1200 U3 is installed correctly using the procedure for the Adapter boards.
4. Carefully check that all the components are properly installed and soldered.

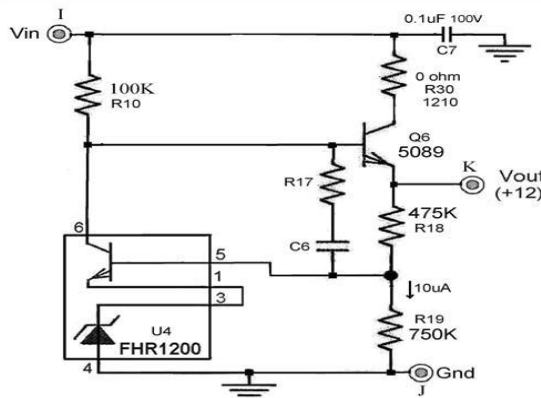
Function Check

1. Connect the positive terminal of a 22 volt supply to Pin "F" of the Application. Connect the negative terminal to pin "H". Do not solder anything in the pad holes.
2. Turn on the power supply. The current should be ~ 31mA. Set the test DVM to "volts DC". Measure the voltage of "pin "G" to pin "H". It should be ~3.3volts.
3. Increase the power supply voltage to 26volts. The power supply current should increase to ~ 32mA.
4. Measure the voltage of "pin "G" to pin "H". It should be ~ 3.3volts.

Figure 36. 3.3 V Low-Voltage Regulator Checkout

As Originally Built, Application Circuit Tests

Application #6: Vcc or Brown-out Regulator



NOTE: As originally built, R17, C6 are not supposed to be soldered to the application module. R17 and C6 are used for regulator compensation if needed.

Initial Check

1. Set Test DVM to "ohms" on the 10K scale. Place the red probe to Pin "I" and the black to pin "J".
2. Measure the resistance. The resistance should be >10K ohms.
3. Verify that the FHR1200 U4 is installed correctly using the procedure for the Adapter boards.
4. Carefully check that all the components are properly installed and soldered.

Function Check

1. Connect the positive terminal of a 16 volt supply to Pin "I" of the Application. Connect the negative terminal to pin "J". Do not solder anything in the pad holes.
2. Turn on the power supply. The current should be <1mA. Set the test DVM to "volts DC". Measure the voltage of "pin "K" to pin "J". It should be ~12volts.

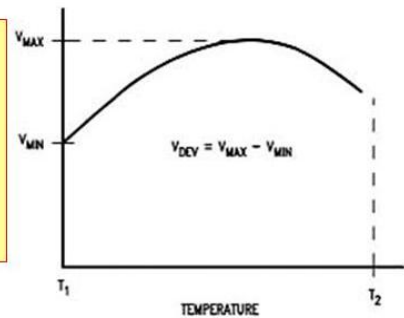
Figure 37. Vcc or Brownout Regulator Circuit Checkout

7. Device Characteristic Data

The following section provides characterization data on the FHR1200. Please note that the data was selected to help designers with applications. It is not a complete set of possible curves or tables on the device. If other data is required, please feel free to ask an FAE or sales representative.

The temperature coefficient of the reference can be calculated if a few things are known:

1. Vref reading at 25C given a particular current (Ibias)
2. The difference between the maximum and minimum values of Vref over the temperature range of interest (Vref (dev). Ibias remains constant over the full temp range.



$$TCV_{REF} \left(\frac{\text{ppm}}{^{\circ}\text{C}} \right) = \frac{\left(\frac{V_{REF(\text{dev})}}{V_{REF}(T_A=25^{\circ}\text{C})} \right) * 10^6}{\Delta T}$$

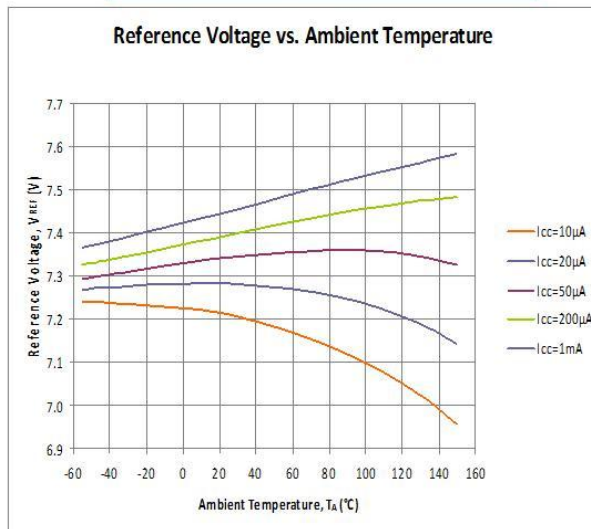
(T_A): Ambient Temperature
V_{REF}(dev): V_{REF} deviation over full temperature range

where ΔT is the rated operating free-air temperature range of the device.
TCV_{REF} can be positive or negative, depending on whether minimum V_{REF} or maximum V_{REF} respectively, occurs at the lower temperature.

Figure 38. Calculating the FHR1200 Reference Temperature Coefficient

Reference Temp Stability

Vref_431: Temp Stability



Output Tempco:

Looking at the graph to the left, the reference voltage will change from ~7.34 volts to 7.46 volts over the temperature range of -40 to 125C and 200uA. Vref(25C)= 7.39 volts.

$$= ((7.46-7.34)/7.39)/165 =$$

Reference Tempco: 90 ppm/C

NOTE: At 200uA, the maximum value of Vref occurs at 125C and the minimum value occurs at -40C.

If Ibias = 50uA; (max value at 90C)

$$= ((7.36 - 7.305) / 7.34) / 165 =$$

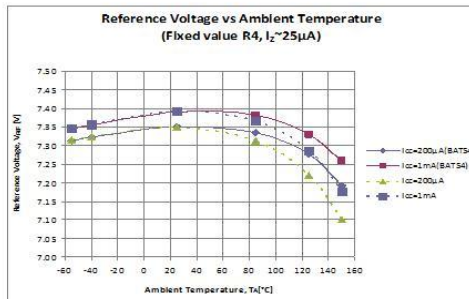
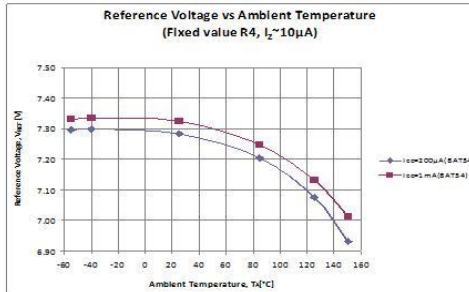
Reference Tempco: 45.4 ppm/C

NOTE: There will also be an error due to the ref input current variation over temperature.

Icc is the same as zener current in the Vref431 config

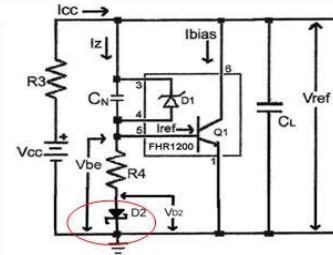
Figure 39. LM431 Configured Reference Temperature Stability

Vref Characterization: Grd'd Configuration



Adding a BAT54 schottky diode in series with R4 improves the temperature stability of the regulator or reference when operating over a wide temperature range.

Test Circuit with BAT54



Normal Test Circuit

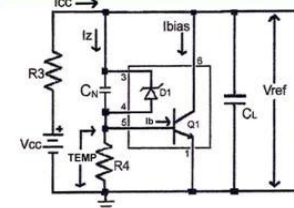
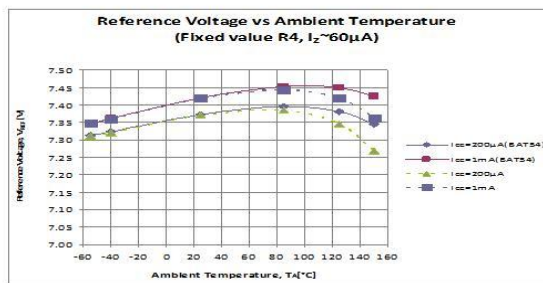
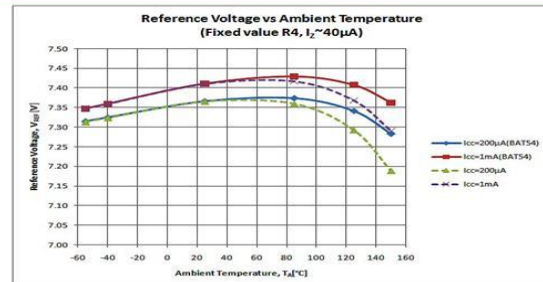
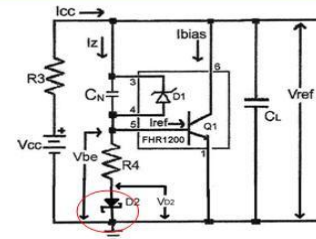


Figure 40. VREF; 10 µA, 25 µA I_Z Temperature Stability: Grounded Configuration

Vref Characterization: Grd'd Configuration



Test Circuit with BAT54



Normal Test Circuit

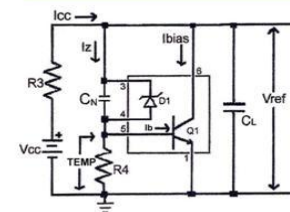
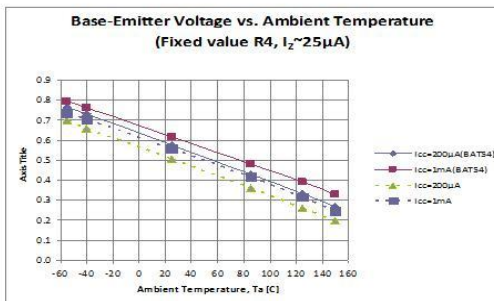
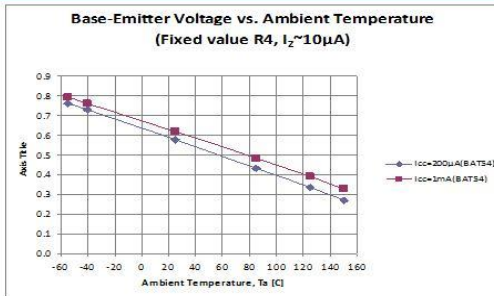


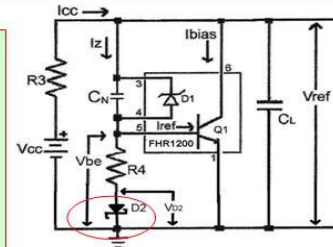
Figure 41. VREF; 40 µA, 60 µA I_Z Temperature Stability: Grounded Configuration

Vbe Characterization: Grd'd Configuration



Adding a BAT54 schottky diode in series with R4 improves the temperature stability of the regulator or reference when operating over a wide temperature range.

Test Circuit with BAT54



Normal Test Circuit

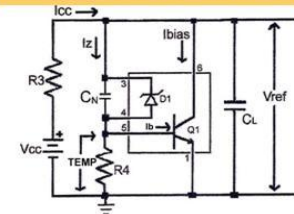
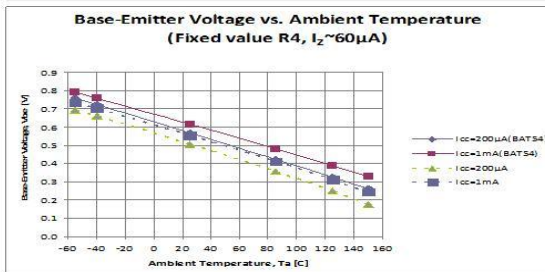
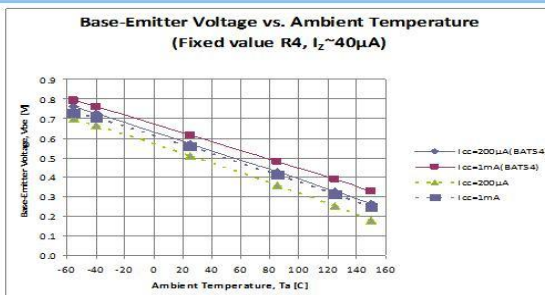
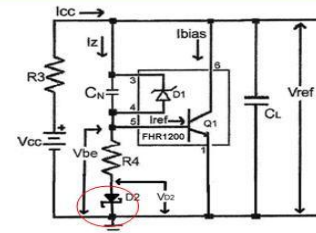


Figure 42. V_{BE}; 10 µA, 25 µA I_Z Temperature Stability: Grounded Configuration

Vbe Characterization: Grd'd Configuration



Test Circuit with BAT54



Normal Test Circuit

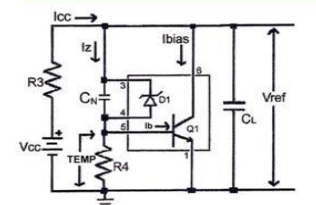


Figure 43. V_{BE}; 40 µA, 60 µA I_Z Temperature Stability: Grounded Configuration

Table 8. V_{REF} Temp Stability vs. I_z -55°C to +150°C: Grounded Configuration

Fixed R4 value	$I_z(\mu A)=$	10	10	25	25	40	40	60	60
	$I_{cc}(\mu A)=$	200	1000	200	1000	200	1000	200	1000
	$R3(k\Omega)=$	----	----	49.9	49.9	49.9	49.9	49.9	49.9
	$R4(k\Omega)=$	----	----	23.3	28.7	16.4	14.3	9.53	10.7
Tempco				-146.2	-114.5	-84.1	-37.9	-29.1	10.8
Fixed R4 + BAT54	$I_z(\mu A)=$	10	10	25	25	40	40	60	60
	$I_{cc}(\mu A)=$	200	1000	200	1000	200	1000	200	1000
	$R3(k\Omega)=$	49.9	49.9	49.9	49.9	49.9	49.9	49.9	49.9
	$R4(k\Omega)=$	45.1	72.6	15.6	21.1	9.38	11.19	6	6.98
Tempco		-190.4	-220.8	-82.1	-20.3	-21	10.2	21.1	50.7

Table 9. V_{REF} Temperature Stability vs. I_z -40°C to +125°C: Grounded Configuration

Fixed R4 value	$I_z(\mu A)=$	10	10	25	25	40	40	60	60
	$I_{cc}(\mu A)=$	200	1000	200	1000	200	1000	200	1000
	$R3(k\Omega)=$	----	----	49.9	49.9	49.9	49.9	49.9	49.9
	$R4(k\Omega)=$	----	----	23.3	28.7	16.4	14.3	9.53	10.7
Tempco		----	----	-88.3	-58.1	-25.4	7.6	20.6	48.9
Fixed R4 + BAT54	$I_z(\mu A)=$	10	10	25	25	40	40	60	60
	$I_{cc}(\mu A)=$	200	1000	200	1000	200	1000	200	1000
	$R3(k\Omega)=$	49.9	49.9	49.9	49.9	49.9	49.9	49.9	49.9
	$R4(k\Omega)=$	45.1	72.6	15.6	21.1	9.38	11.19	6	6.98
Tempco		-255.9	-172.1	-38.1	-20.3	13.7	39.5	47.7	72.8

Ref Input Current Due to hfe Tempco

BJT: hfe Graph

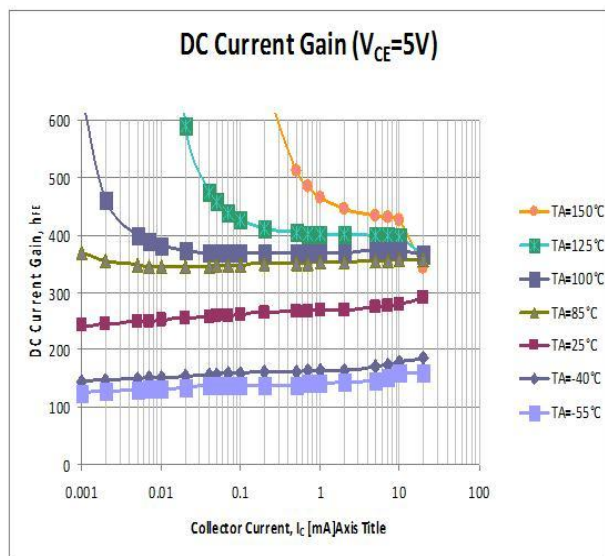


Figure 44. BJT hfe Variation Over Temperature

Ref Input Current:

We have decided to operate the regulator at 250uA. We will allow 50uA for the divider and 200uA for the regulator. The operating temperature range was set to -40 to 125C.

Looking at the graph to the left, the minimum hfe occurs at -40C: ~160.

Since the collector current is 200uA, the base current is therefore: 1.26uA

The maximum hfe occurs at 100C: ~360 and the base current is: 0.556uA

By setting the divider current to 50uA, this minimizes the influence of temperature on the divider error due to base current. On average, the ref input current is approximately 0.77uA at 25C.

How Low a Current Can it Operate?)

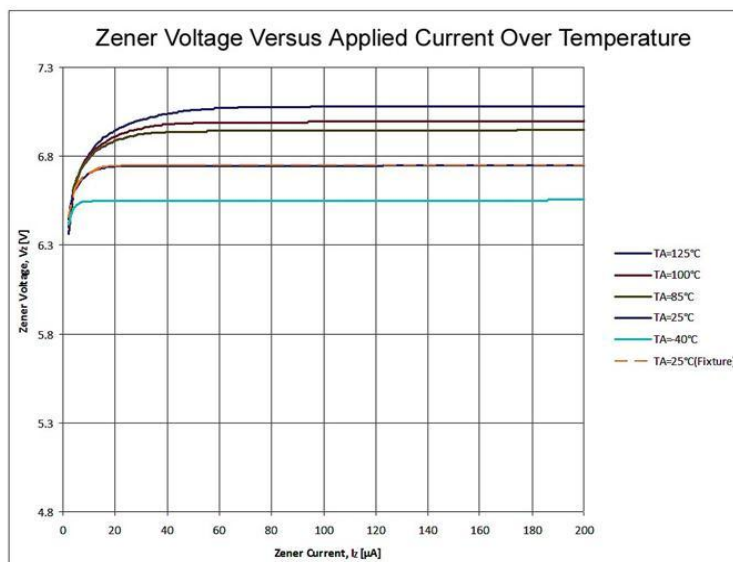


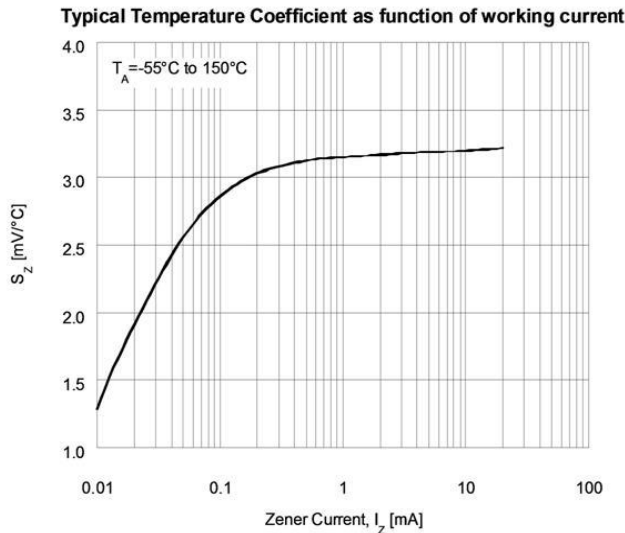
Figure 45. Zener Voltage vs. I_Z vs. Temperature

Answer:

The data indicates that the part is still usable down to 2uA of bias current. However, the change in reference break-over voltage must be accounted for in the calculations.

The data clearly shows operation above 6.3 volts at 2uA for all temperatures. NOTE: While operation at 2uA is possible, the impedances will be very high and will need to be accounted for to ensure proper regulation.

How is Zener Tempco Affected Temperature?)



The data indicates that the part is still usable down below 10uA but the tempco changes quite a bit below 200uA or so. This is fortunate since the tempco of a BJT B-E junction tends to be around -2.2mV/C over a moderate range of current.

To produce a temperature stable reference, the reference voltage should not vary over temperature. A quick look at the graph indicates that the best zener tempco is around 20 to 60uA.

NOTE: This data indicates that while operation at 2uA is possible, the overall tempco of the reference may not be very good. However, it may still be adequate for many applications.

Figure 46. Zener Temperature Coefficient Change Over Temperature

FHR1200: Small Signal Response

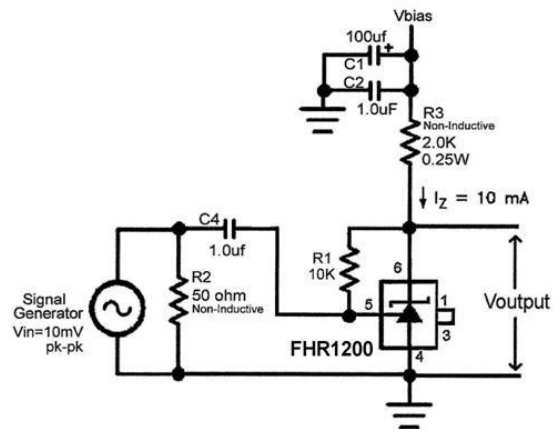
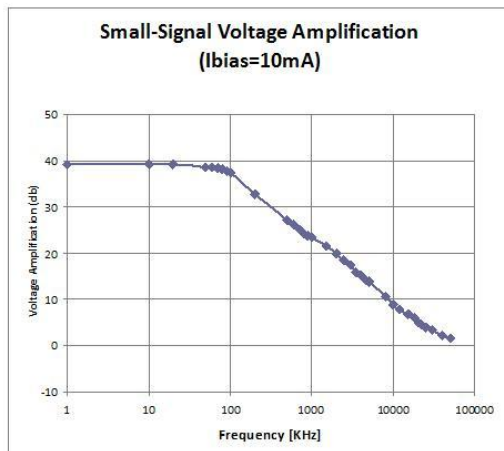


Figure 47. FHR1200 Small-Signal Response

8. Revision History

Rev.	Date	Description
1.0.0	February 2014	Initial Release

WARNING AND DISCLAIMER

Replace components on the Evaluation Board only with those parts shown on the parts list (or Bill of Materials) in the Users' Guide. Contact an authorized Fairchild representative with any questions.

This board is intended to be used by certified professionals, in a lab environment, following proper safety procedures. Use at your own risk. The Evaluation board (or kit) is for demonstration purposes only and neither the Board nor this User's Guide constitute a sales contract or create any kind of warranty, whether express or implied, as to the applications or products involved. Fairchild warrants that its products meet Fairchild's published specifications, but does not guarantee that its products work in any specific application. Fairchild reserves the right to make changes without notice to any products described herein to improve reliability, function, or design. Either the applicable sales contract signed by Fairchild and Buyer or, if no contract exists, Fairchild's standard Terms and Conditions on the back of Fairchild invoices, govern the terms of sale of the products described herein.

DISCLAIMER

FAIRCHILD SEMICONDUCTOR RESERVES THE RIGHT TO MAKE CHANGES WITHOUT FURTHER NOTICE TO ANY PRODUCTS HEREIN TO IMPROVE RELIABILITY, FUNCTION, OR DESIGN. FAIRCHILD DOES NOT ASSUME ANY LIABILITY ARISING OUT OF THE APPLICATION OR USE OF ANY PRODUCT OR CIRCUIT DESCRIBED HEREIN; NEITHER DOES IT CONVEY ANY LICENSE UNDER ITS PATENT RIGHTS, NOR THE RIGHTS OF OTHERS.

LIFE SUPPORT POLICY

FAIRCHILD'S PRODUCTS ARE NOT AUTHORIZED FOR USE AS CRITICAL COMPONENTS IN LIFE SUPPORT DEVICES OR SYSTEMS WITHOUT THE EXPRESS WRITTEN APPROVAL OF THE PRESIDENT OF FAIRCHILD SEMICONDUCTOR CORPORATION.

As used herein:

1. Life support devices or systems are devices or systems which, (a) are intended for surgical implant into the body, or (b) support or sustain life, or (c) whose failure to perform when properly used in accordance with instructions for use provided in the labeling, can be reasonably expected to result in significant injury to the user.
2. A critical component is any component of a life support device or system whose failure to perform can be reasonably expected to cause the failure of the life support device or system, or to affect its safety or effectiveness.

ANTI-COUNTERFEITING POLICY

Fairchild Semiconductor Corporation's Anti-Counterfeiting Policy. Fairchild's Anti-Counterfeiting Policy is also stated on our external website, www.fairchildsemi.com, under Sales Support.

Counterfeiting of semiconductor parts is a growing problem in the industry. All manufacturers of semiconductor products are experiencing counterfeiting of their parts. Customers who inadvertently purchase counterfeit parts experience many problems such as loss of brand reputation, substandard performance, failed applications, and increased cost of production and manufacturing delays. Fairchild is taking strong measures to protect ourselves and our customers from the proliferation of counterfeit parts. Fairchild strongly encourages customers to purchase Fairchild parts either directly from Fairchild or from Authorized Fairchild Distributors who are listed by country on our web page cited above. Products customers buy either from Fairchild directly or from Authorized Fairchild Distributors are genuine parts, have full traceability, meet Fairchild's quality standards for handling and storage and provide access to Fairchild's full range of up-to-date technical and product information. Fairchild and our Authorized Distributors will stand behind all warranties and will appropriately address any warranty issues that may arise. Fairchild will not provide any warranty coverage or other assistance for parts bought from Unauthorized Sources. Fairchild is committed to combat this global problem and encourage our customers to do their part in stopping this practice by buying direct or from authorized distributors.

EXPORT COMPLIANCE STATEMENT

These commodities, technology, or software were exported from the United States in accordance with the Export Administration Regulations for the ultimate destination listed on the commercial invoice. Diversion contrary to U.S. law is prohibited.

U.S. origin products and products made with U.S. origin technology are subject to U.S. Re-export laws. In the event of re-export, the user will be responsible to ensure the appropriate U.S. export regulations are followed.