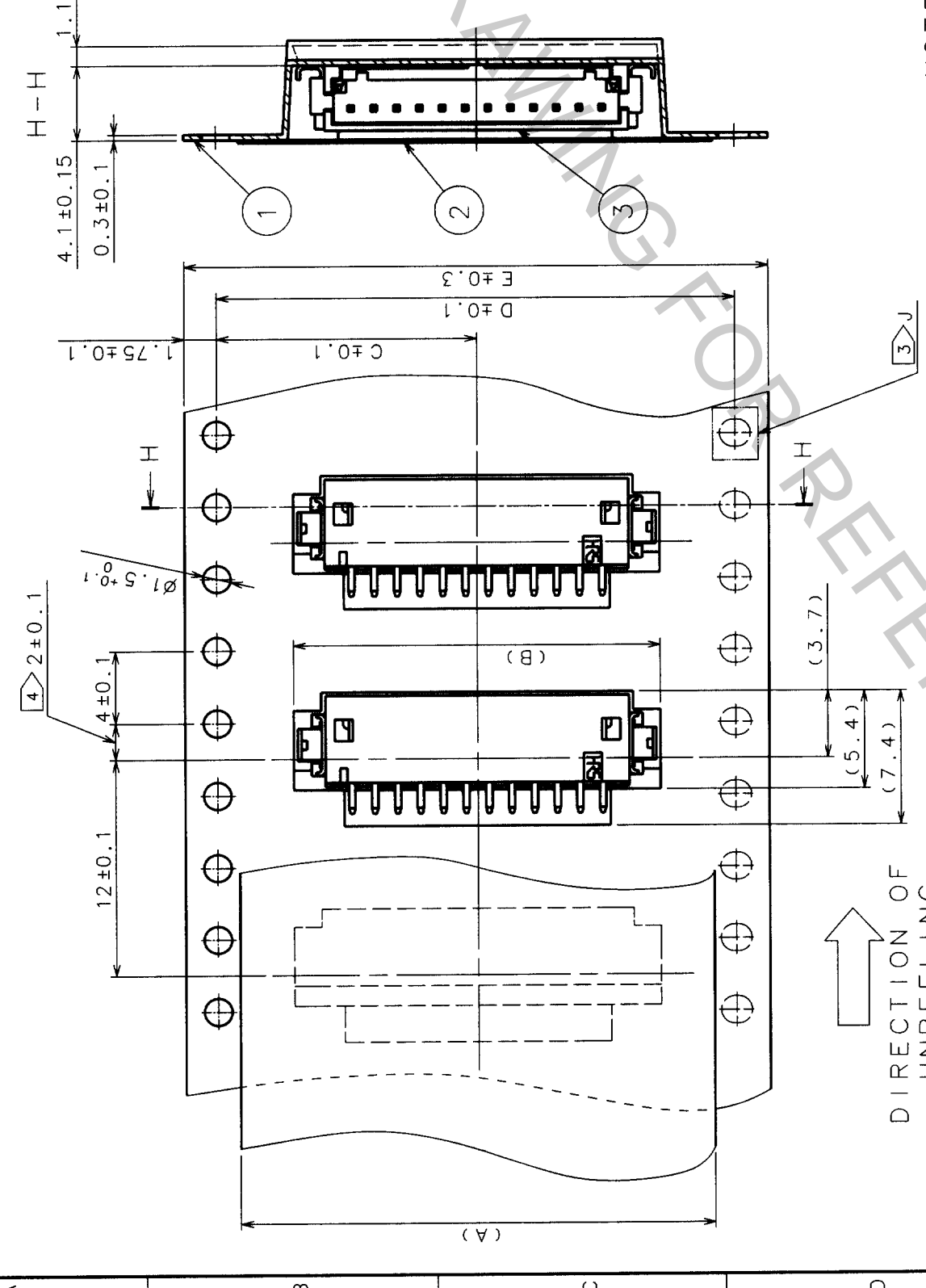


COUNT	DESCRIPTION OF REVISIONS	BY	CHKD	DATE	COUNT	DESCRIPTION OF REVISIONS	BY	CHKD	DATE
△					△				
△					△				
△					△				

CODE NO.	PART NO.	A	B	C	D	E	F
CL536-0301-8-51	DF13A-2P-1.25H(51)	13.5	7.6	7.5		16	16.4
CL536-0302-0-51	DF13A-3P-1.25H(51)	13.5	8.85	7.5		16	16.4
CL536-0303-3-51	DF13A-4P-1.25H(51)	21.5	10.1	11.5		24	24.4
CL536-0304-6-51	DF13A-5P-1.25H(51)	21.5	11.35	11.5		24	24.4
CL536-0305-9-51	DF13A-6P-1.25H(51)	21.5	12.6	11.5		24	24.4
CL536-0306-1-51	DF13A-7P-1.25H(51)	21.5	13.85	11.5		24	24.4
CL536-0307-4-51	DF13A-8P-1.25H(51)	21.5	15.1	11.5		24	24.4
CL536-0308-7-51	DF13A-9P-1.25H(51)	21.5	16.35	11.5		24	24.4
CL536-0309-0-51	DF13A-10P-1.25H(51)	21.5	17.6	11.5		24	24.4
CL536-0310-9-51	DF13A-11P-1.25H(51)	26	18.85	14.2	28.4	32	32.4
CL536-0311-1-51	DF13A-12P-1.25H(51)	26	20.1	14.2	28.4	32	32.4
CL536-0313-7-51	DF13A-14P-1.25H(51)	26	22.6	14.2	28.4	32	32.4
CL536-0314-0-51	DF13A-15P-1.25H(51)	37	23.85	20.2	40.4	44	44.4



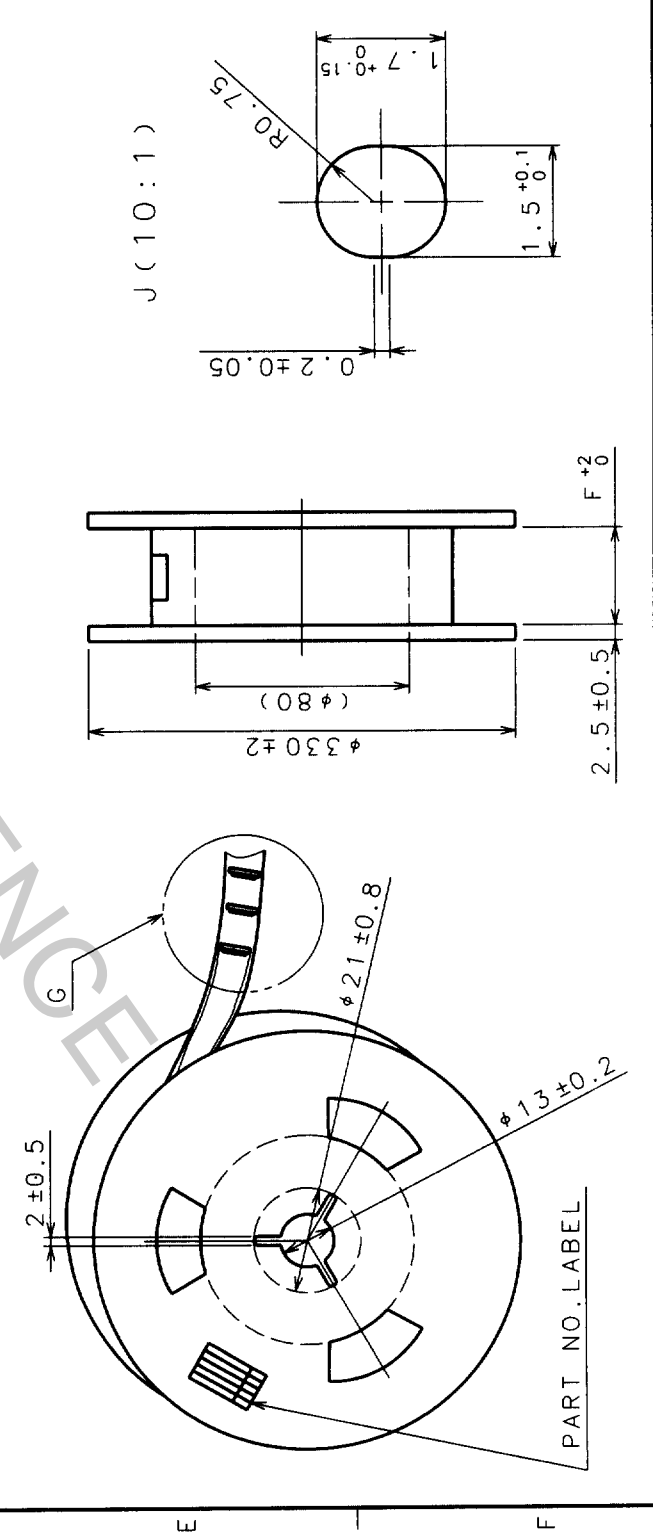
DETAIL OF PART NO. LABEL

SUPPLIER
QUANTITY
PART NO.
CODE NO.
DATE OF MANUFACTURED

生産日	年	月	日
函番	CL536-****-51		
品名	DF13A-P-1.25H(51)		
納入数量	1000個		
納入者	ヒロセ電機(株)		

NOTES 1: 1 REEL 1000 CONNECTORS.
2: AT THE BEGINNING OF THE REEL, 30 COMPONENTS SHALL BE EMPTY. AT THE END OF THE REEL, 20 COMPONENTS SHALL BE EMPTY.
3: WHEN THE TAPE WIDTH IS 32 OR 44mm, SPROCKET HOLES SHALL BE SET ON BOTH SIDES OF REEL AS SHOWN ON THIS DRAWING.
4: WHEN THE TAPE WIDTH IS 44mm OR OVER, THE TOLERANCE SHALL BE 2±0.15.

STYLE AND DIMENSION OF REEL



NO.	MATERIAL	FINISH, REMARKS	NO.	MATERIAL	FINISH, REMARKS
2	POLYESTER	CLEAR (COVER TAPE)	3	DF13A-P-1.25H(01)	
1	PAN	CLEAR (EMBOSSED CARRIER TAPE)			

CODE NO. (OLD)	DRAWN	DESIGNED	CHECKED	APPROVED	RELEASED
	F. Asai	F. Asai	K. Hayama	K. Katayama	
	98.6.23	98.6.23	98.6.25	98.6.25	

DRAWING NO.	PART NO.
EDC3-162444-02	DF13A-P-1.25H(51)

SCALE	FR:EE	UNITS
		mm

HIROSE ELECTRIC CO.,LTD.	CODE NO.	CODE NO. SHALL BE ACCORDANCE WITH TABLE.
		1