

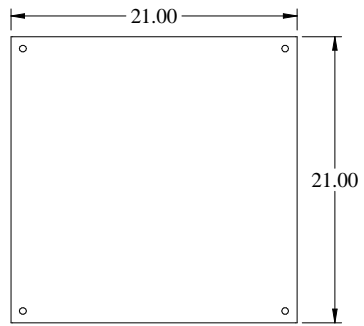
# PART No. 1447SC10

for more information visit

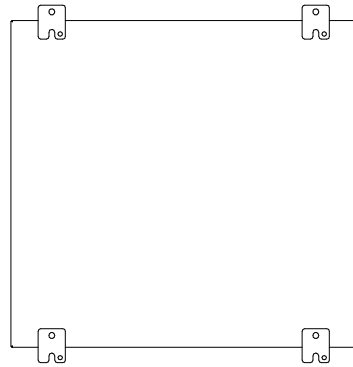
[www.hammfg.com](http://www.hammfg.com)

Data subject to change without notice

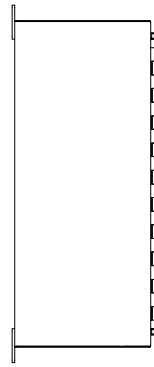
Isometric drawing Not to Scale



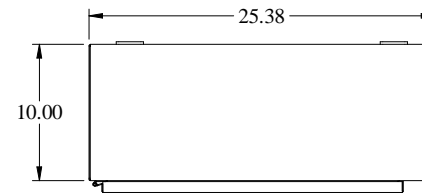
INNER PANEL



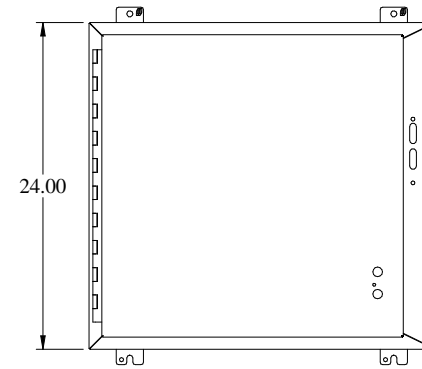
BACK VIEW



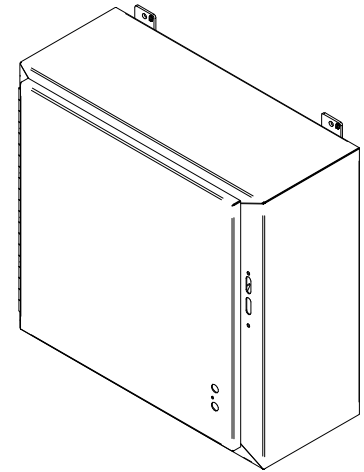
SIDE VIEW



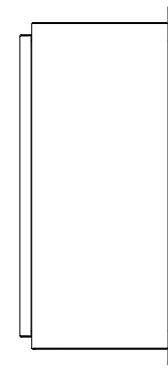
TOP VIEW



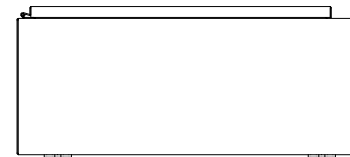
FRONT VIEW



ISOMETRIC VIEW



SIDE VIEW



BOTTOM VIEW