

SUMMARY

Wires

Low	0
High	0
Coax	0
Triax	0
Quad	0
Fiber	0
Fluidic	0

Series	2B
Termination type	
IP rating	50
Cable Ø	7.30 - 8.20 mm
Matching parts	
Status	
Alternative part	



Image is for illustrative purpose only

Download

[Request a quote](#)

[Catalog](#)

TECHNICAL DETAILS

Mechanics

Shell Style/Model	PK*: Fixed receptacle, nut fixing, cable collet
Keying	1 key (alpha=0, plug: male contacts, receptacle: female contacts)
Housing Material	Brass (chrome plated) shell and collet nut, nickel plated brass latch sleeve and mid pieces
Cable Fixing	∅ 7.3 - 8.2 mm
Variant	

Performance

Configuration	
Insulator	Y: PEEK for crimp contacts
Rated Current	

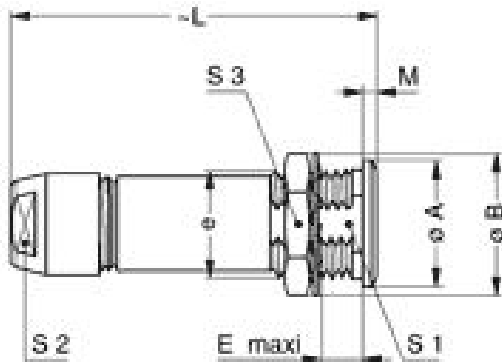
Others

Temp (min / max):	-55° C / +250° C
Humidity (max):	<=95% [at 60 deg C / 140 F]

Vibration: 15 g [10 Hz - 2000 Hz]
 Shock Resistance: 100 g [6 ms]
 Salt Spray Corrosion: >1000 hr
 Climatical Category: 50/175/21
 Shielding (min): 75 dB (10 MHz)
 Shielding (min): 40 dB (1 GHz)
 IP Rating: 50

DRAWINGS

Draws



Dimensions

	A	B	E	L	M	S1	S2	S3	e
mm.	18	19.5	8.5	47	1.8	13.5	12	17	M15x1.0
in.	0,71	0,77	0,33	1,85	0,07	0,53	0,47	0,67	

RECOMMENDED BY LEMO

Tools

Spanner wrench: MTZ.2B.220.120

Cables