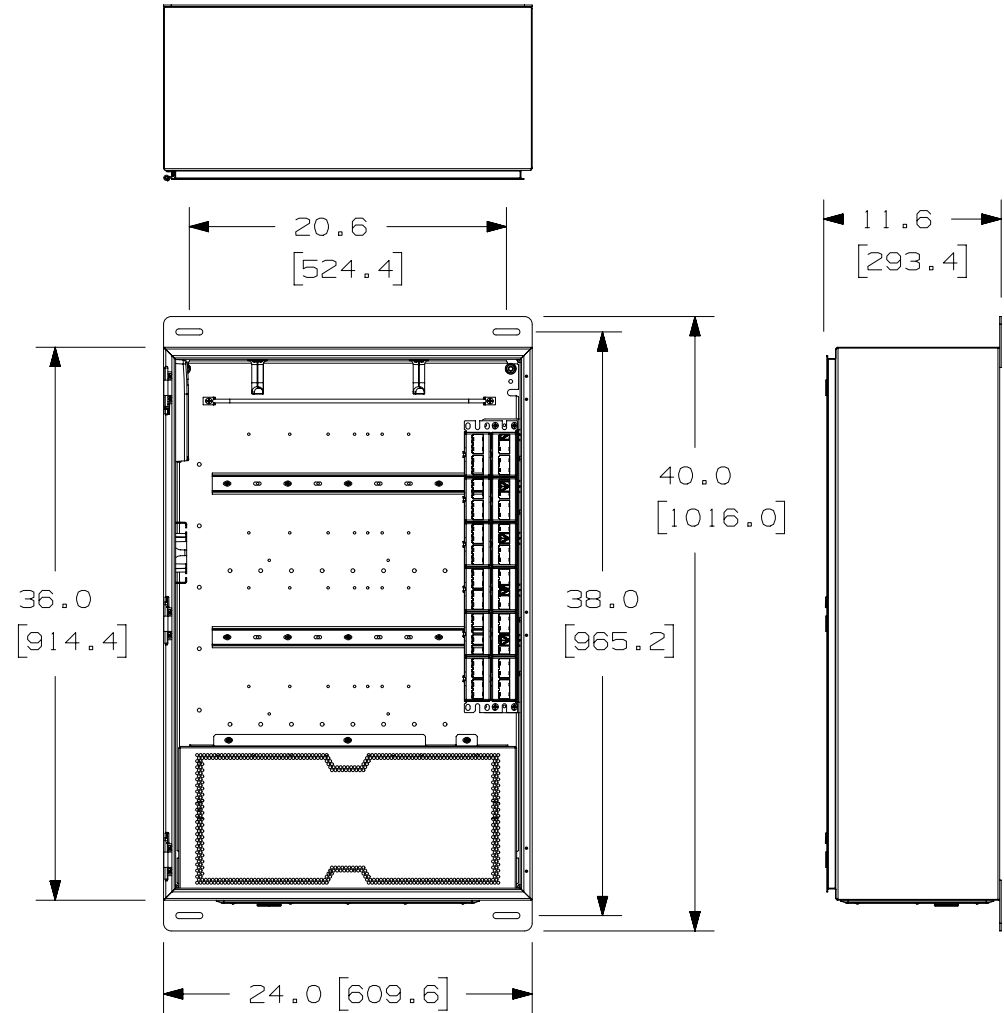


THIS COPY IS PROVIDED ON A RESTRICTED BASIS AND IS NOT TO BE USED IN ANY WAY DETRIMENTAL TO THE INTERESTS OF PANDUIT CORP.



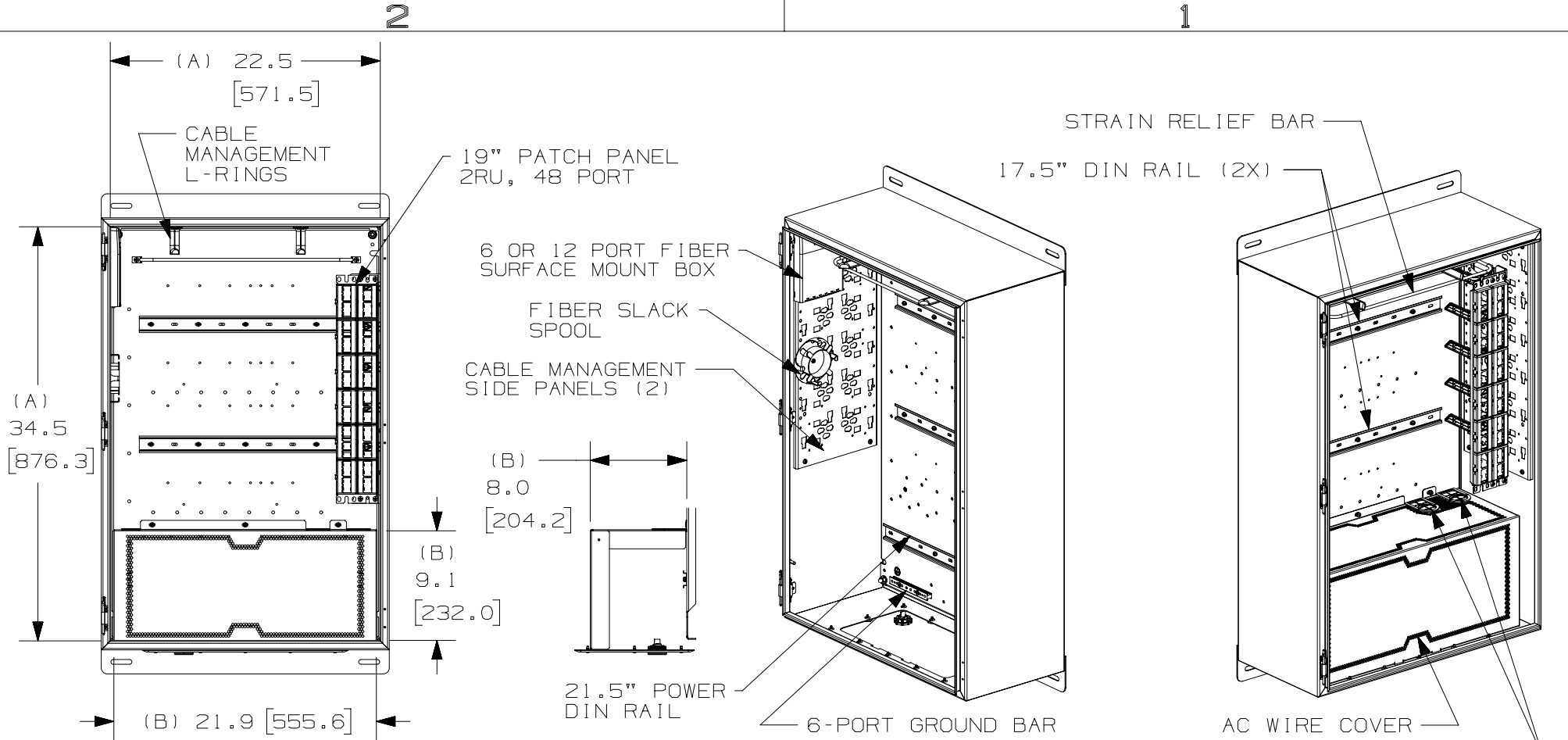
WIDTH	HEIGHT	DEPTH	WEIGHT
24.0"	36.0"	12.0"	110 LBS 50 KG

NOTES:

- DIMENSIONS IN PARENTHESES ARE IN METRIC.
- ENCLOSURE INCLUDES:
 - (2) CABLE MANAGEMENT SIDE PANELS
 - (1) TOP SLACK PLATE
 - (1) BLANK GLAND PLATE FOR CABLE ENTRY AND EXIT
 - (1) 1/2" CONDUIT PLUG FOR POWER ENTRY
 - (1) 6-PORT GROUND BAR
 - (2) EXTERNAL MOUNT FLANGES
 - (1) AC WIRING COVER
 - (2) DIN RAIL FOR SWITCHES (17.5")
 - (1) DIN RAIL FOR POWER (21.5")
 - (1) 6 OR 12 PORT FIBER UPLINK PATCH PANEL
 - (1) FIBER SLACK SPOOL
 - (1) STRAIN RELIEF BAR
 - (1) 19", 2RU 48-PORT PATCH PANEL
 - (9) CABLE MANAGEMENT L RINGS
- ALL ZONE SYSTEMS ARE WALL MOUNTABLE WITH THE OPTION TO USE OUTSIDE EXTERNAL MOUNT FLANGES.
- ALL ENCLOSURES ARE UL TYPE 4/12 AND IP66 RATED.
- 316 STAINLESS STEEL ENCLOSURES ARE RATED NEMA 4X.
- STEEL AND STAINLESS STEEL ENCLOSURES ARE MADE FROM 16 GAUGE STEEL

REV	DATE	BY	CHK	APR	DESCRIPTION	ECN
00A	3/15/16	NWW	MBVE	TIMH	RELEASED TO CUSTOMER	15V510CQ

TITLE		NETWORK ZONE SYSTEM, 24" X 36" ENCLOSURE CUSTOMER DRAWING	
ITEM REVISION NAME		15V510CQ/00	
DATASET FILE NAME		15V510CQ_DC/00A	
UNLESS OTHERWISE SPECIFIED, DIMENSIONAL TOLERANCES ARE: IN (mm)		MATERIAL:	
.x ± .1 [2.54] .xxx ± .005 [.127] .xx ± .01 [.25] ANGLES ± 5 °		N/A	
DRAWN BY: NWW		DRAWING NUMBER: 15V510CQ_DC	
DATE: 3/15/16		SHT 1 OF 2	
CHK: MBVE		SIZE: A	
SCALE: 2:25			



(A) DIRECT WALL MOUNT HOLE LOCATIONS
DOOR REMOVED FOR CLARITY
(B) DIMENSIONS UNDER THE AC WIRE COVER
AND OVER THE MOUNT PLATE

00A	3/15/16	NWW	MBVE	TIMH	REFER TO SHEET 1	15V510CQ	
REV	DATE	BY	CHK	APR	DESCRIPTION	ECN	

TITLE			NETWORK ZONE SYSTEM, 24" X 36" ENCLOSURE CUSTOMER DRAWING					
ITEM REVISION NAME			15V510CQ/00					
DATASET FILE NAME			15V510CQ_DC/00A					
UNLESS OTHERWISE SPECIFIED, DIMENSIONAL TOLERANCES ARE: IN (mm)			MATERIAL:					
.x ± .1 [2.54] .xxx ± .005 [.127]			N/A					
.xx ± .01 [.25] ANGLES ± 5 °			DRAWING NUMBER: 15V510CQ_DC					
DRAWN BY			DATE		CHK		SCALE	
NWW			3/15/16		MBVE		2:25	
THIRD ANGLE PROJECTION			SHT 2 OF 2		SIZE			
					A			