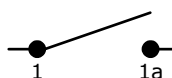
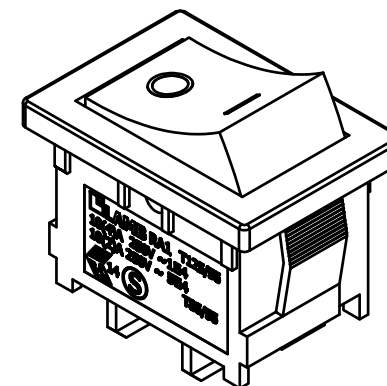
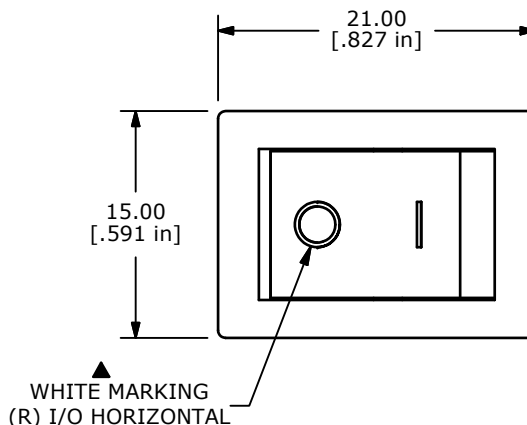


PANEL CUTOUT

PANEL THICKNESS	X
0.75 - 1.25	19.2
1.25 - 2.00	19.4
2.00 - 3.00	19.6

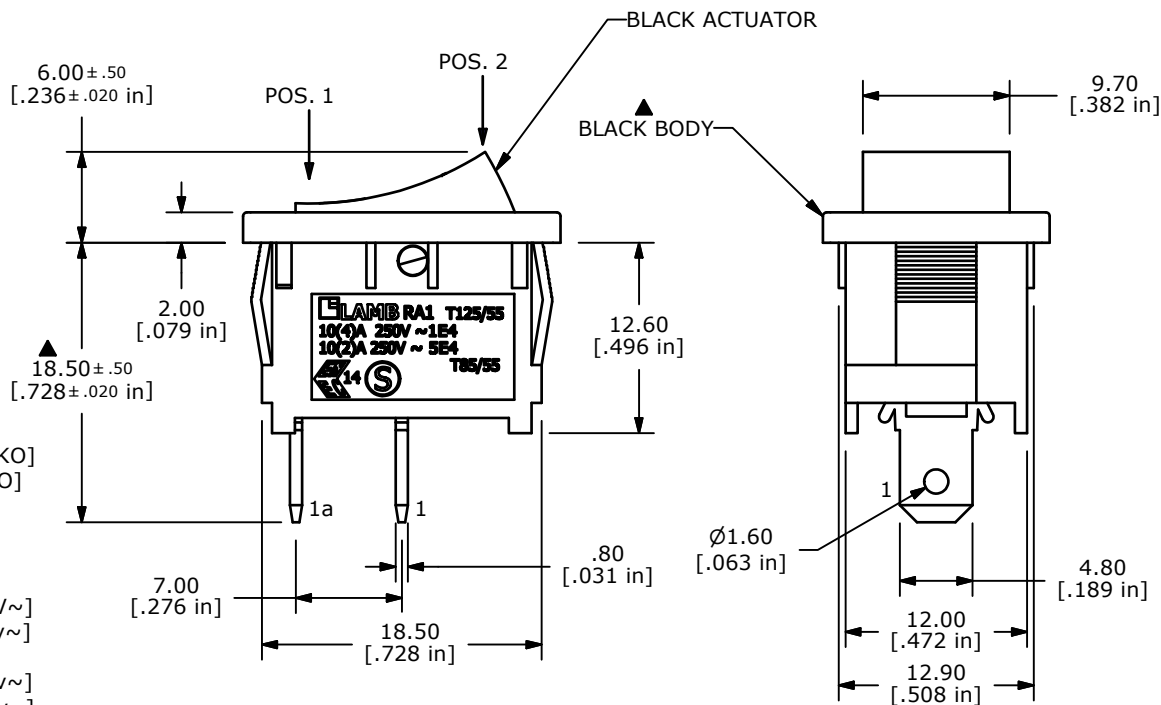
SWITCH FUNCTION	
POS. 1	POS. 2
OFF	ON
OPEN	1-1a



CIRCUIT: SPST

NOTE:

1. DIMENSIONS IN MM [INCH]
2. GENERAL TOLERANCE: X.X = ± 0.4
X.XX = ± 0.25
3. TERMINAL NUMBERS FOR REF ONLY
4. CONTACT MATERIAL: SILVER
- ▲ 5. CONTACT RATINGS:
 - ANSI/UL 1054 AND CAN/CSA C22.2 NO. 55 (E194579):
 - 16A @ 125VAC [UR, cUR]
 - 10A @ 250VAC [UR, cUR]
 - 1/3HP 125/250VAC [UR, cUR]
 - EN 61058-1:2002
 - 10(4)A 250V~ 1E4 T125/55 [ENEC14, SEMKO]
 - 10(2)A 250V~ 5E4 T85/55 [ENEC14, SEMKO]
6. CONTACT RESISTANCE: 35mΩ MAX. @ 50VAC
7. INSULATION RESISTANCE: 100MΩ MIN. @ 500VAC
8. DIELECTRIC STRENGTH: 1,500VAC FOR 1 MINUTE
9. ELECTRICAL LIFE: 6,000 CYCLES [UR, cUR]
 - 10,000 CYCLES [ENEC14, SEMKO: 10(4)a 250V~]
 - 50,000 CYCLES [ENEC14, SEMKO: 10(2)a 250v~]
10. OPERATING TEMPERATURE: -20°C TO 105°C [UR, cUR]
 - 20°C TO 125°C [ENEC14, SEMKO: 10(4)a 250v~]
 - 20°C TO 85°C [ENEC14, SEMKO: 10(2)a 250v~]
11. ▲ DENOTES CRITICAL PARAMETER
12. 2002/95/EC (ROHS) COMPLIANT



A	20324	RELEASE FOR PRODUCTION	12/6/11	BGL
REV	PCR NO	DESCRIPTION	DATE	BY

E-SWITCH®				
TITLE RA111C112R				
SCALE	DATE	DR	DWG	REV
2:1	12/6/2011	BGL	38-RA111C112R	A

THE INFORMATION CONTAINED IN THIS DOCUMENT IS PROPRIETARY TO E-SWITCH AND IS NOT TO BE COPIED OR TRANSFERRED