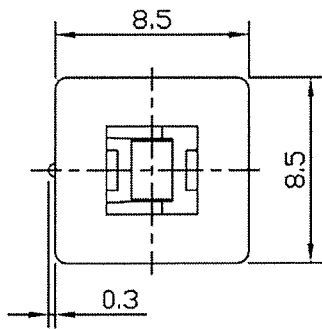
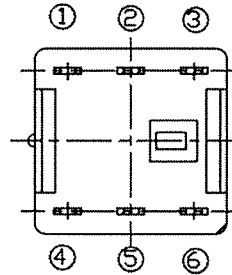


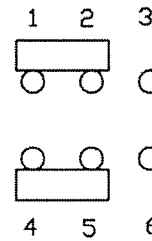
THIS INFORMATION IS CONFIDENTIAL AND PROPRIETARY TO CW INDUSTRIES INCORPORATED AND ITS AFFILIATES. IT MAY NOT BE DISCLOSED TO ANYONE, OTHER THAN CW INDUSTRIES PERSONNEL, WITHOUT WRITTEN AUTHORIZATION FROM CW INDUSTRIES INCORPORATED, SOUTHAMPTON, PENNSYLVANIA USA.



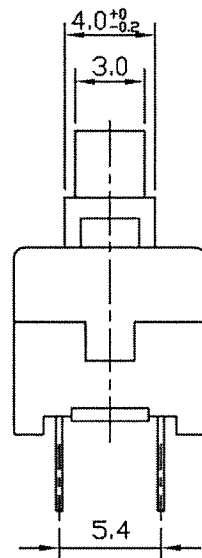
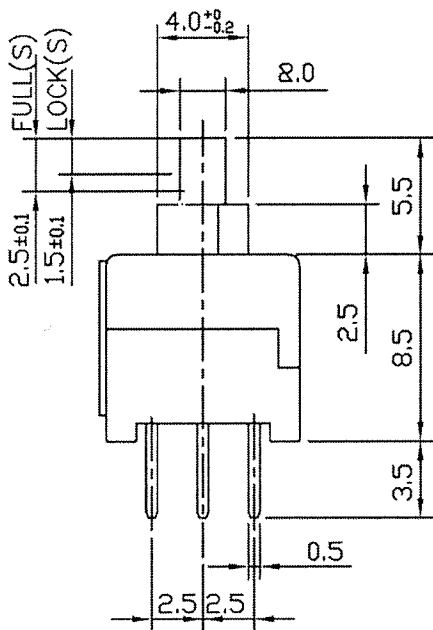
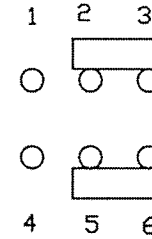
SCHEMATIC



FREE



PUSH



Rating	DC30V 0.3A,DC16V 0.5A
Withstand Voltage	AC250V 1 minute
Insulation Resistance	≥100MΩ DC250V
Contact Resistance	≤50mΩ
Soldering Temp.	245±5°C 5 Sec.
Mechanical Life	100000 cycles
Electrical Life	10000 cycles
Operating Temp.	-25°C - +65°C
Ambient Humidity Used	<85%RH
Operating force	200±80gf

NOTE: TOLERANCES UNLESS OTHERWISE SPECIFIED: ±0.3mm

RoHS Compliant

CW INDUSTRIES
Southampton, Pa. 18966
Tel 215.355.7080/www.cwind.com

Date Drawn: 3-21-12

Rev. 1

Unit: mm

Checked By: *G. Gold*

Title:

PUSH BUTTON SWITCH

CW P/N:

GPBS850L

1 Added Button to title & Soldering Temp. was Soldering Temper & added Operating Temp. to chart. 11-12-12.