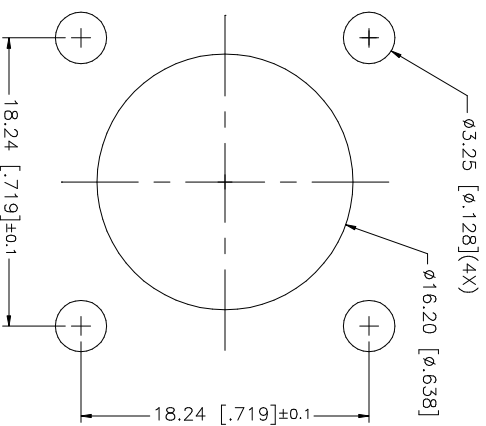
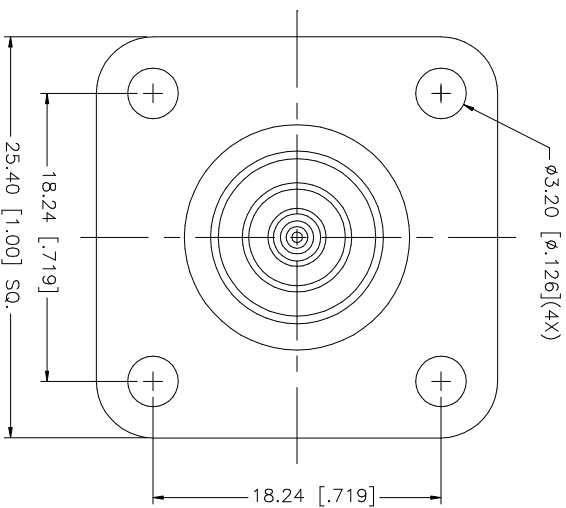
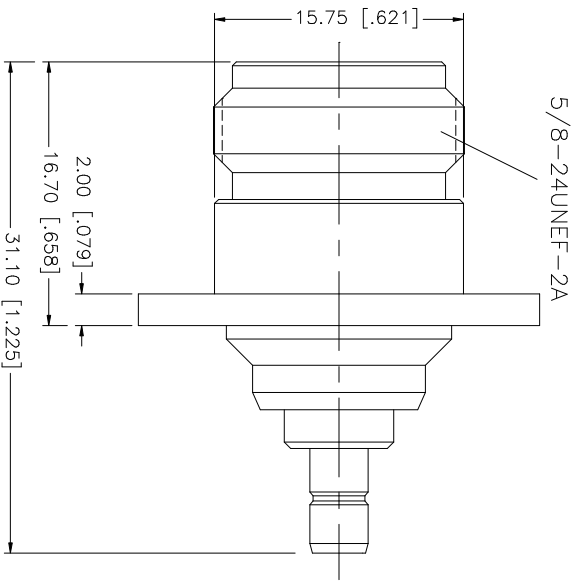


REV.	DATE	DESCRIPTION
NC	02/02/04	INITIAL RELEASE



NO.	DESCRIPTION	MATERIAL	FINISH	QTY	UNLESS OTHERWISE SPECIFIED DIMENSIONS ARE IN MILLIMETERS. DIMENSIONS IN [] ARE IN INCHES AND FOR CUSTOMER REFERENCE ONLY. TOLERANCES FOR MILLIMETERS ARE: 0.5 - 8mm ± 0.20mm 8 - 30mm ± 0.40mm 30 - 120mm ± 0.50mm UNLESS OTHERWISE SPECIFIED TOLERANCES FOR INCHES ARE: .020 - .315 = ± 0.002" .315 - 1.180 = ± 0.015" 1.180 - 4.724 = ± 0.020"	DO NOT SCALE DRAWING	CAD FILE	APPROVALS	DATE	DWG. NO.	REV.	NC	SIZE	SCALE					
8																			
7																			
6																			
5																			
4																			
3	CONTACT PIN	PHOS. BRONZE	GOLD	1															
2	INSULATOR	TEFLON	NATURAL	1															
1	BODY	BRASS	NICKEL	1															
	DESCRIPTION																		
										N JACK TO SMB JACK PANEL ADAPTER 242198									
PART DESCRIPTION N JACK TO SMB JACK PANEL ADAPTER PART NO. 242198								APPROVALS DRAWN G.R.S. 02/02/04		DATE		DWG. NO. 242198		REV. NC		SIZE A		SCALE NA	