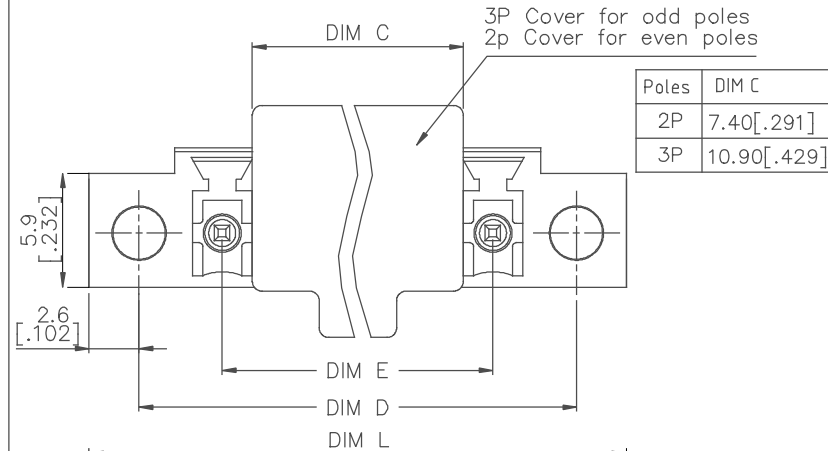
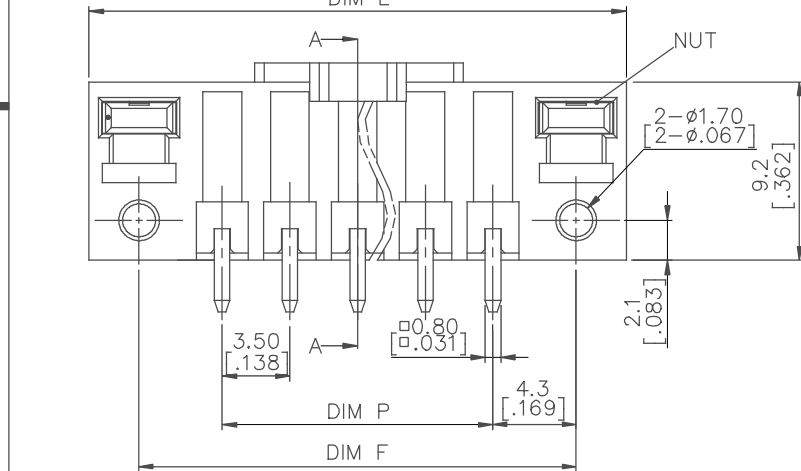




PRODUCT NUMBER	SERIES NAME	PITCH
20020202-CXXXXXXLF	06-350	3.50 mm



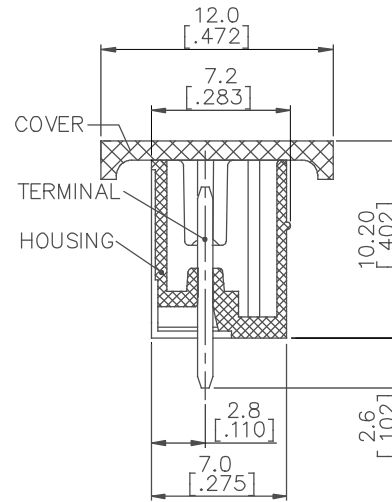
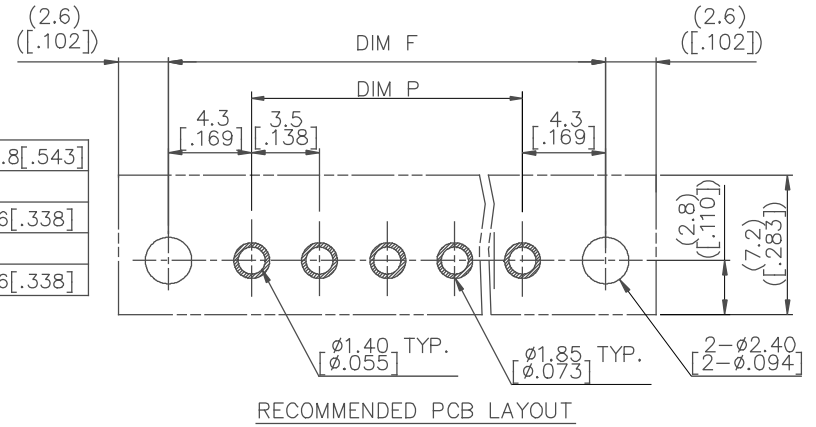
Poles	DIM C
2P	7.40 [.291]
3P	10.90 [.429]



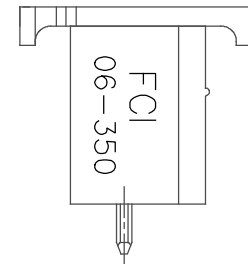
N= Number of poles

DIM L	$(N-1)*3.5[.138]+13.8[.543]$
DIM P	$(N-1)*3.5[.138]$
DIM D	$(N-1)*3.5[.138]+8.6[.338]$
DIM E	$(N-1)*3.5[.138]$
DIM F	$(N-1)*3.5[.138]+8.6[.338]$

POLES	TOLERANCE
2p-6p	$\pm 0.15[.006]$
7p-12p	$\pm 0.20[.008]$
13p-16p	$\pm 0.30[.012]$



SECTION A-A



mat'l. code	surface ASME Y14.5	tolerance ASME Y14.5	projection	product family
ltr	ecn no	dr	date	TERMINAL BLOCK
A				title
				TERMINAL BLOCK
				PLUGGABLE, SOCKET, SIGNAL, STRAIGHT
				W/FLANGE(PIP)
				scale
				MM
				[INCH]
				sheet 2 of 5 size
				20020202 A4
				type CUSTOMER Drawing
sheet index	revision sheet			

PRODUCT NUMBER	SERIES NAME	PITCH
20020202-DXXXXXXLF	06-381	3.81 mm

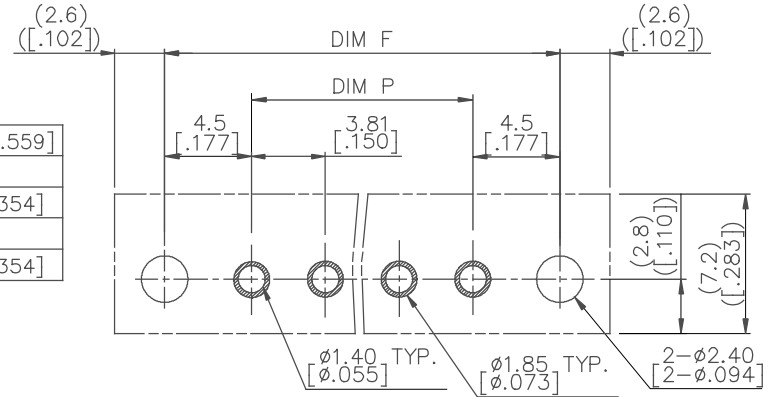
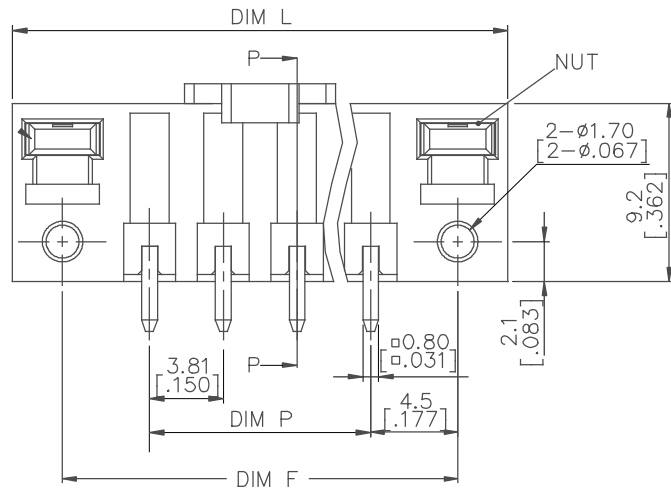
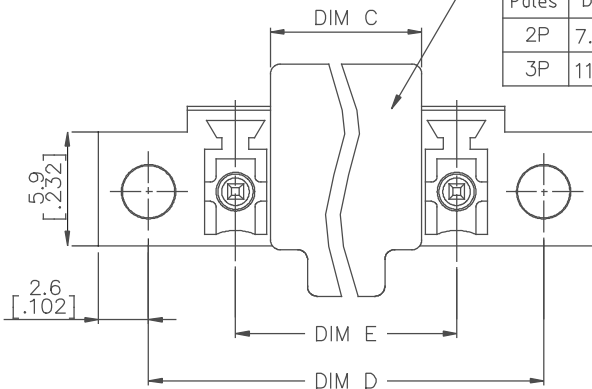
3P Cover for odd poles  
2P Cover for even poles

Poles	DIM C
2P	7.81 [.307]
3P	11.62 [.457]

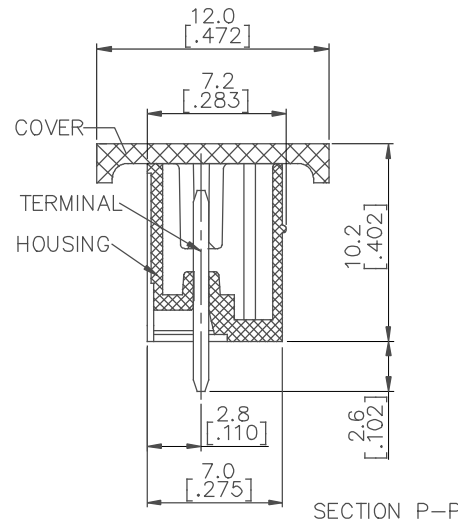
N= Number of poles

DIM L	$(N-1)*3.81 [.150] + 14.2 [.559]$
DIM P	$(N-1)*3.81 [.150]$
DIM D	$(N-1)*3.81 [.150] + 9.0 [.354]$
DIM E	$(N-1)*3.81 [.150]$
DIM F	$(N-1)*3.81 [.150] + 9.0 [.354]$

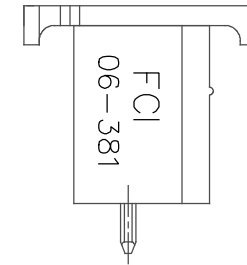
POLES	TOLERANCE
2p-6p	$\pm 0.15 [.006]$
7p-12p	$\pm 0.20 [.008]$
13p-16p	$\pm 0.30 [.012]$



RECOMMENDED PCB LAYOUT



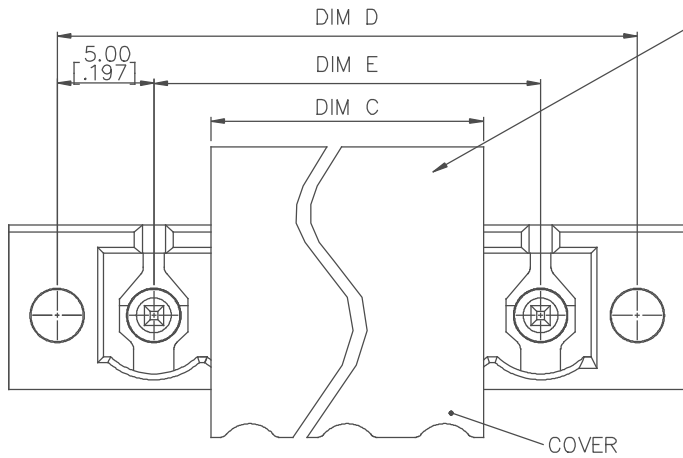
SECTION P-P



mat'l. code	surface ASME Y14.5 ✓	tolerance ASME Y14.5	projection	product family	TERMINAL BLOCK
ltr	ecn	no	dr	date	tolerances unless otherwise specified
A					angles
					X.±0.5
					X.X±0.3
					X'±1'
					X.XX±0.1
	dr	LEIF SHEN	041911		scale
	enr	LEIF SHEN	041911		MM
	chr	LEIF SHEN	041911		[INCH]
	appd	JOSEPH HSIA	041911		FCI
sheet	revision				title
index	sheet				TERMINAL BLOCK
					PLUGGABLE, SOCKET, SIGNAL, STRAIGHT
					W/FLANGE(PIP)
					dwg no
					sheet 3 of 5
					size
					20020202
					A4
					type
					CUSTOMER Drawing

PRODUCT NUMBER	SERIES NAME	PITCH
20020202-GXXXXXLFF	06-500	5.00 mm

3P Cover for odd poles  
2p Cover for even poles

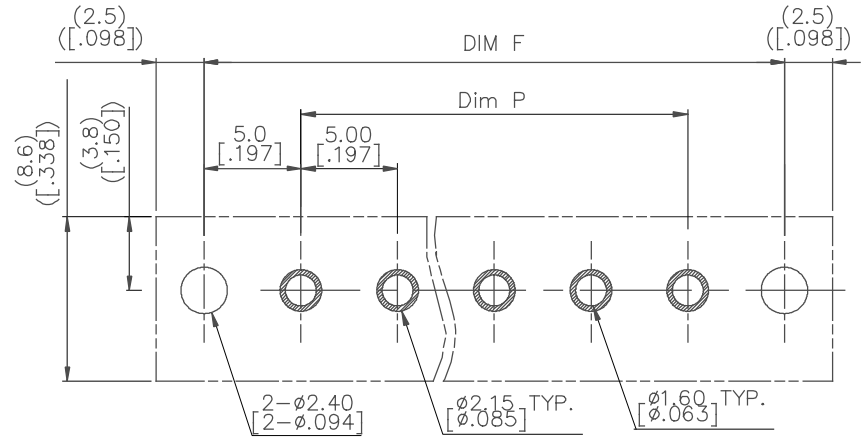


Poles	DIM C
2P	9.04 [.356]
3P	14.08 [.554]

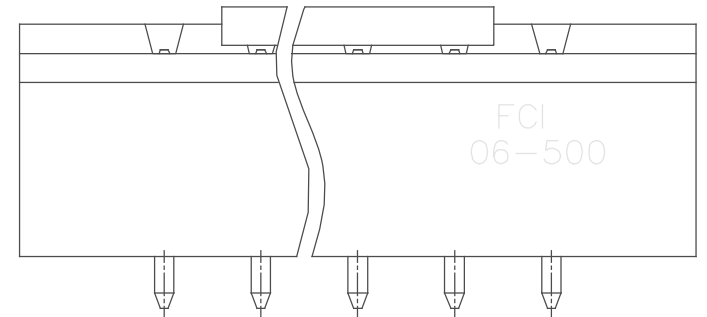
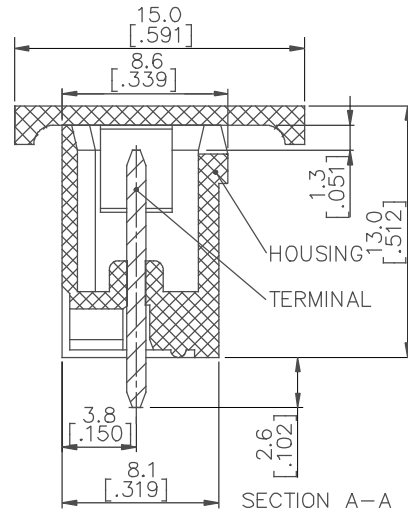
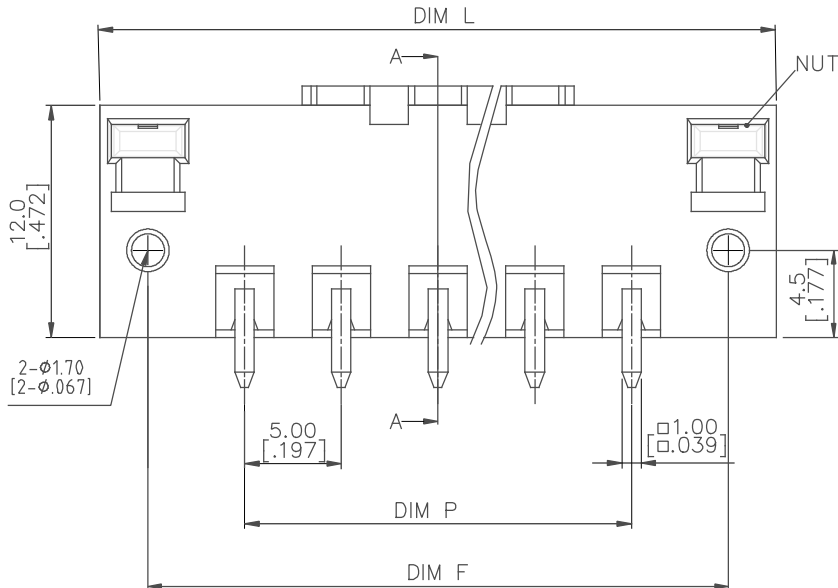
N= NUMBER OF POLES

DIM L	(N+2)*5.0 [.197]
DIM P	(N-1)*5.0 [.197]
DIM D	(N+1)*5.0 [.197]
DIM E	(N-1)*5.0 [.197]
DIM F	(N+1)*5.0 [.197]

POLES	TOLERANCE
2-3p	±0.15 [.006]
4-8p	±0.20 [.008]
9-12p	±0.25 [.010]



RECOMMENDED PCB LAYOUT



mat'l. code	surface ASME Y14.5 ✓	tolerance ASME Y14.5	projection	product family	TERMINAL BLOCK
ltr	ecn no	dr	date	tolerances unless otherwise specified	title
A				angles X.±0.5	TERMINAL BLOCK
				lineout X.X±0.3	PLUGGABLE, SOCKET, SIGNAL, STRAIGHT
				X'±1' X.XX±0.1	W/FLANGE(PIP)
		dr	LEIF SHEN 041911	scale	sheet 4 of 5 size
		enr	LEIF SHEN 041911	MM [INCH]	20020202 A4
		chr	LEIF SHEN 041911	FCI	type CUSTOMER Drawing
		appd	JOSEPH HSIA 041911		
sheet index	revision sheet				

PRODUCT NUMBER	SERIES NAME	PITCH
20020202-HXXXXXXLF	06-508	5.08 mm

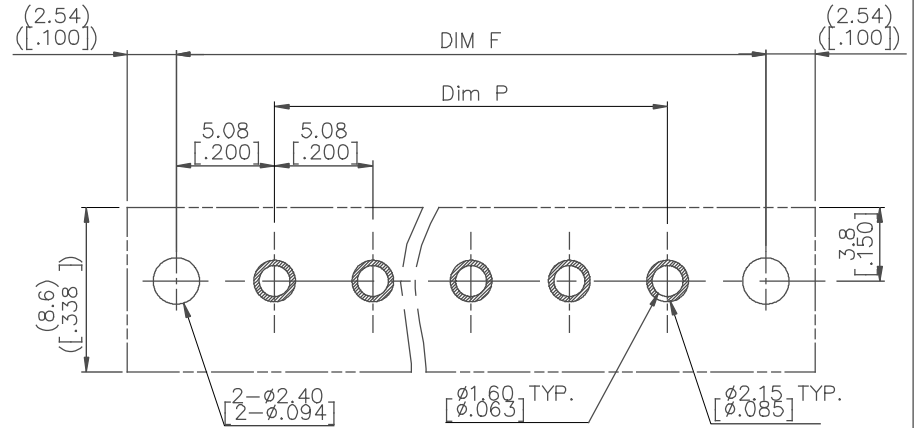
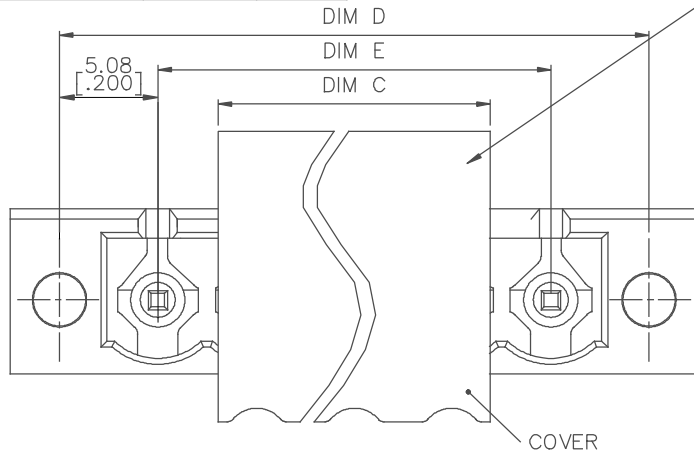
3P Cover for odd poles  
2P Cover for even poles

Poles	DIM C
2P	9.04 [.356]
3P	14.08 [.554]

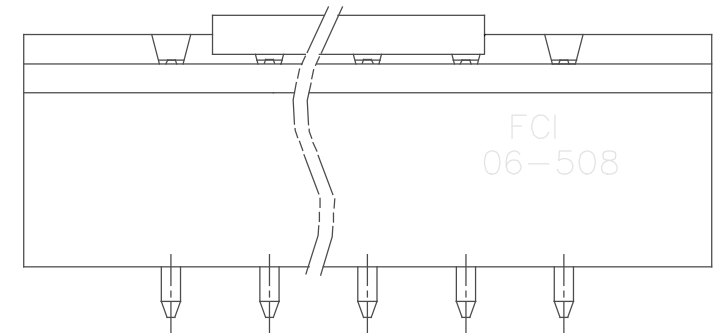
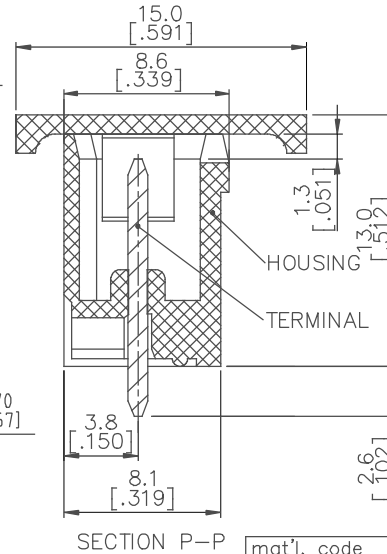
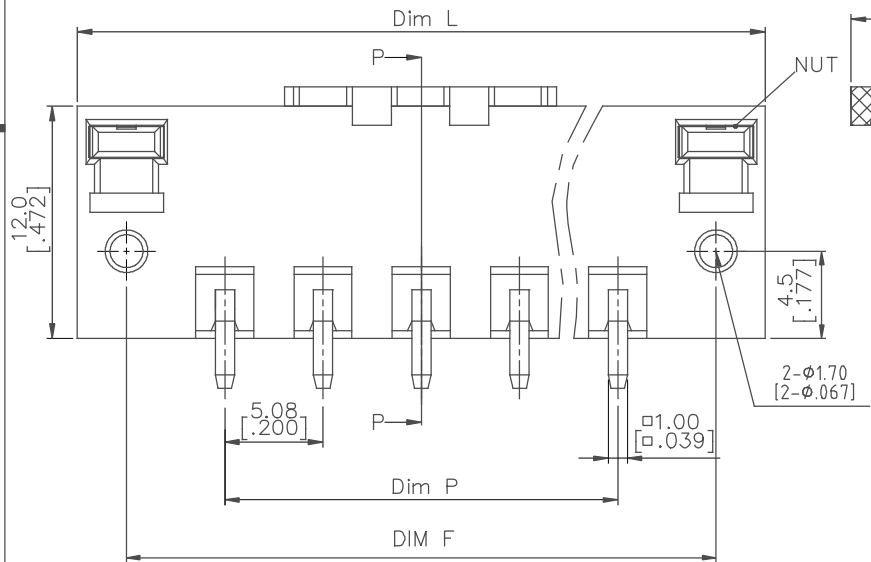
N= NUMBER OF POLES

DIM L	(N+2)*5.08 [.200]
DIM P	(N-1)*5.08 [.200]
DIM D	(N+1)*5.08 [.200]
DIM E	(N-1)*5.08 [.200]
DIM F	(N+1)*5.08 [.200]

POLES	TOLERANCE
2-3p	±0.15 [.006]
4-8p	±0.20 [.008]
9-12p	±0.25 [.010]



RECOMMENDED PCB LAYOUT



mat'l. code	surface ASME Y14.5 ✓	tolerance ASME Y14.5	projection MM INCH	product family TERMINAL BLOCK
ltr	ecn	no	dr	date
tolerances unless otherwise specified				
A				
	angles	X.±0.5	scale	title TERMINAL BLOCK PLUGGABLE, SOCKET, SIGNAL, STRAIGHT W/FLANGE(PIP)
	X'±1'	X.XX±0.1		dwg no 20020202
	dr	LEIF SHEN	041911	sheet 5 of 5 size A4
	enr	LEIF SHEN	041911	
	chr	LEIF SHEN	041911	
	appd	JOSEPH HSIA	041911	type CUSTOMER Drawing
sheet index	revision sheet			

