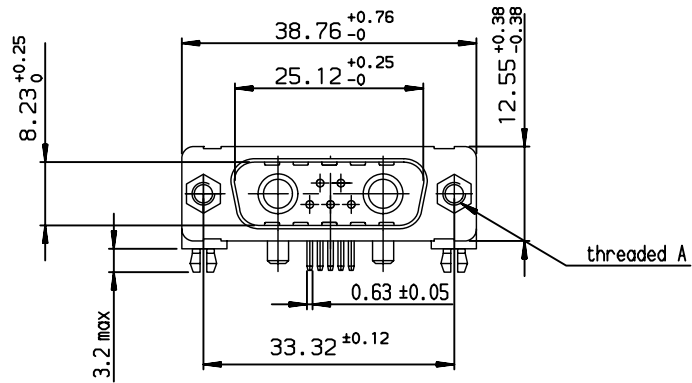
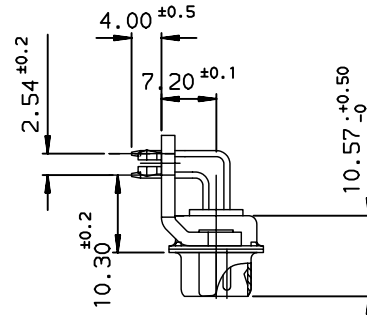


GENERAL CHARACTERISTICS AND ROHS INFORMATIONS

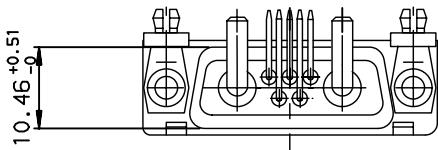
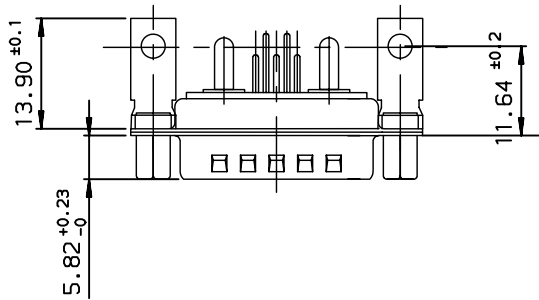
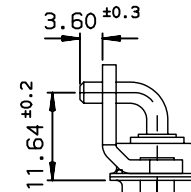
: SEE DRAWING C01-8639-0000



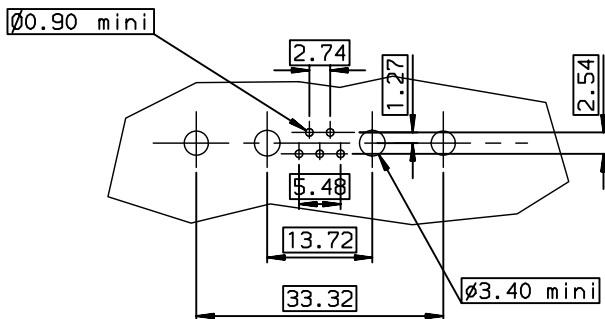
VIEW WITHOUT POWERS CONTACTS



VIEW WITH POWERS CONTACTS



LAYOUT DIMENSIONS (after plating)
CONNECTOR SIDE VIEW



| | |
|-----------------|------------|
| DAI7W2P500G40LF | M3 |
| PART NUMBER | Threaded A |
| LEAD FREE | |

| | |
|---------------|------------|
| DAV7W2P500G40 | UNC 4.40 |
| DAI7W2P500G40 | M3 |
| PART NUMBER | Threaded A |
| TIN LEAD | |

European Views

| | | | | |
|--------------------|----------|---------------------------------------|-----------------------------------|-------------------------|
| www.fciconnect.com | | surface ISO 1302 ✓ | tolerance std ISO 406 ISO 1101 | projection mm |
| | | TOLERANCES UNLESS OTHERWISE SPECIFIED | | |
| Dr | JARRY | 06/11/95 | 0.X | ±0.1 |
| Eng | P LEGARE | 06/11/95 | 0.XX | ±0.1 |
| Chr | P LEGARE | 06/11/95 | 0.XXX | ±0.1 |
| Appr | - | - | ANGULAR | LINEAR |
| | | 0.XX' ±2' | size A3 | |
| | | Product family | DSUB | Scale 1.5 |
| | | Spec ref - | | ECN LS07-0088 |
| FCJ | | title SUB MALE DW EUROPE | | Rev. C |
| | | MIXED POWER RIGHT ANGLE SOLDER | | dwg no C01-8639-0599 |
| | | catalog no | - | CUSTOMER sheet 1 of 1 |

| rev | ecn no | dr | date |
|-----|-----------|-----|------------|
| C | LS07-0088 | MPE | 2007/03/26 |
| - | - | - | - |
| - | - | - | - |
| - | - | - | - |
| - | - | - | - |
| - | - | - | - |