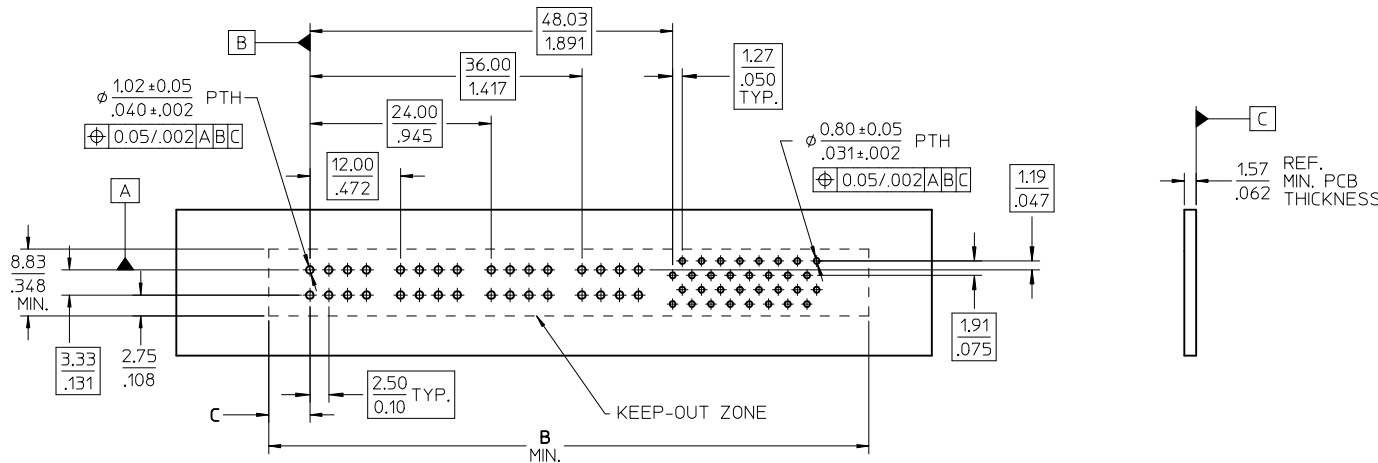
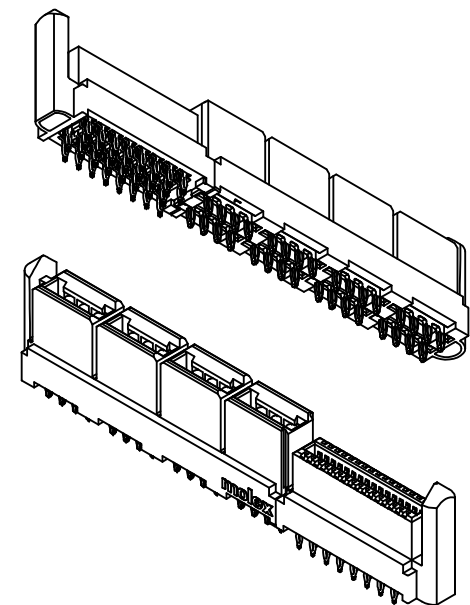


NO OF SIGNALS	MATERIAL NUMBER	COMPLIANT PIN PLATING	DIM A	DIM B	DIM C
12	46114-8120	TIN	65.01/2.559	65.51/2.579	5.45/1.215
16	46114-8160	TIN	67.55/2.659	68.05/2.679	
20	46114-8200	TIN	70.09/2.759	70.59/2.779	
24	46114-8240	TIN	72.63/2.859	73.13/2.879	
28	46114-8280	TIN	75.17/2.959	75.67/2.979	
32	46114-8320	TIN	77.71/3.059	78.21/3.079	
36	46114-8360	TIN	80.25/3.159	80.75/3.179	
40	46114-8400	TIN	82.79/3.259	83.29/3.279	



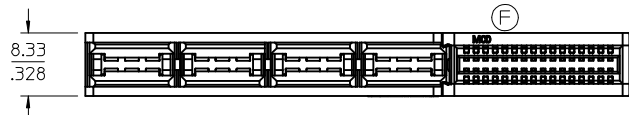
PCB COMPONENT SIDE



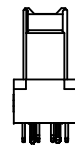
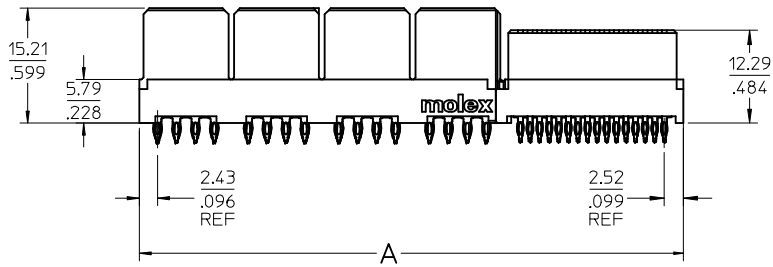
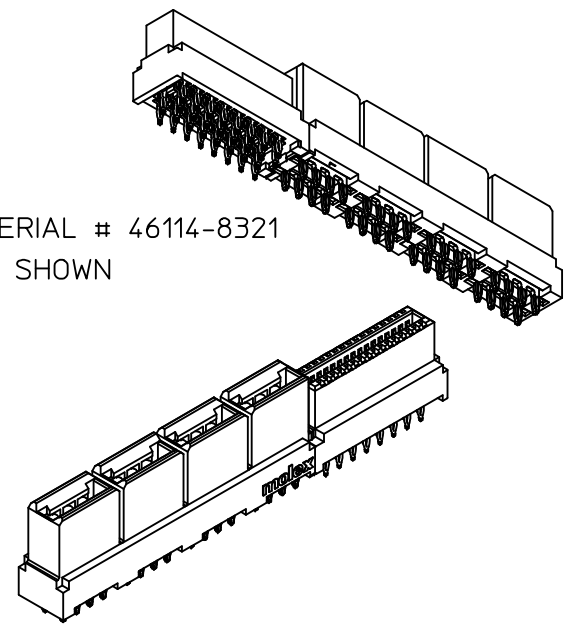
MATERIAL # 46114-8320 SHOWN

- NOTES:
- MATERIAL: HOUSING: LCP, 94-V0, COLOR: BLACK. POWER CONTACTS: COPPER ALLOY. SIGNAL CONTACTS: MODIFIED TIN BRASS.
  - FINISH: SELECT GOLD - 0.75  $\mu$ M/30  $\mu$  INCHES. SELECTED TIN - 2.50  $\mu$ M/100  $\mu$  INCHES. BOTH OVER NICKEL - 1.25  $\mu$ M/50  $\mu$  INCHES.
  - POWER TERMINALS ARE LUBRICATED IN CONTACT AREA.
  - PARTS ARE RoHS COMPLIANT.
  - MATES TO MOLEX P/N 45985-SERIES OR CARD EDGE 1.57/0.62.
  - PRODUCT SPECIFICATION PS-46114-001.
  - PACKAGING: PER PK-46114-003.

UPDATE LOGO EC NO: S2016-1044 TDRW:LN06 CHKD:JZENG APPR:KHLIM	2016/05/18 2016/06/03 2016/06/10	QUALITY SYMBOLS ▽=0 ▽=0	GENERAL TOLERANCES (UNLESS SPECIFIED)		DIMENSION STYLE MM/IN	SCALE 2:1	DESIGN UNITS METRIC	THIRD ANGLE PROJECTION
			4 PLACES ± --- ± --- 3 PLACES ± --- ± .010 2 PLACES ± .025 ± --- 1 PLACE ± --- ± --- ANGULAR ±1/2°	DRAWN BY MKARADIMAS DATE 07/18/07	CHECKED BY APATEL DATE 07/20/07	TITLE LPH VERTICAL RECEPTACLE COMPLIANT PIN ASSEMBLY 8CKT PWR CONN, PRESS FIT		
DRAFT WHERE APPLICABLE MUST REMAIN WITHIN DIMENSIONS			APPROVED BY JCOMERC I DATE 2009/12/03		MATERIAL NO. SEE CHART			DOCUMENT NO. SD-46114-800
THIS DRAWING CONTAINS INFORMATION THAT IS PROPRIETARY TO MOLEX INCORPORATED AND SHOULD NOT BE USED WITHOUT WRITTEN PERMISSION							SHEET NO. 1 OF 3	



MATERIAL # 46114-8321  
SHOWN

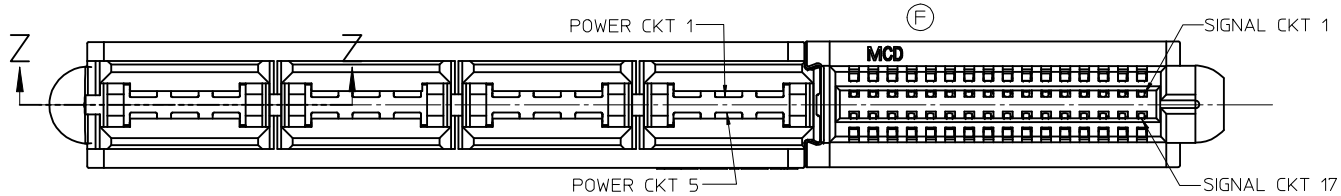


NO OF SIGNALS	MATERIAL NUMBER	COMPLIANT PIN PLATING	DIM A	DIM B	DIM C
12	46114-8121	TIN	59.34/2.336	59.84/2.356	2.69/1.06
16	46114-8161	TIN	61.88/2.436	62.38/2.456	
20	46114-8201	TIN	64.42/2.536	64.92/2.556	
24	46114-8241	TIN	66.96/2.636	67.46/2.656	
28	46114-8281	TIN	69.50/2.736	70.00/2.756	
32	46114-8321	TIN	72.04/2.836	72.54/2.856	
36	46114-8361	TIN	74.58/2.936	75.08/2.956	
40	46114-8401	TIN	77.12/3.036	77.62/3.056	

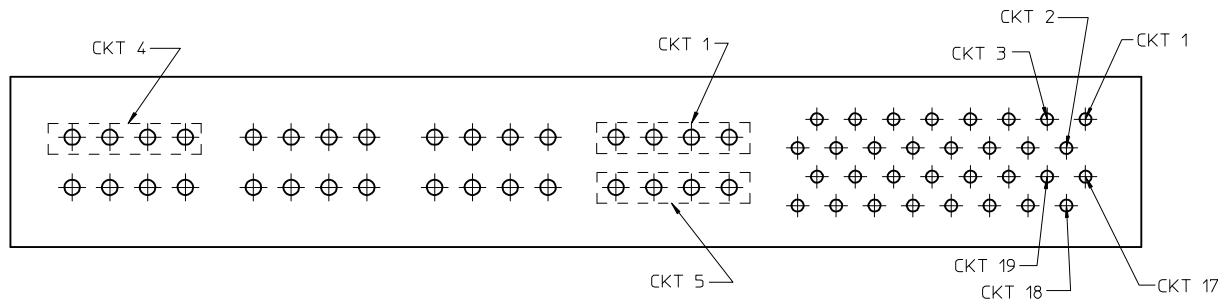
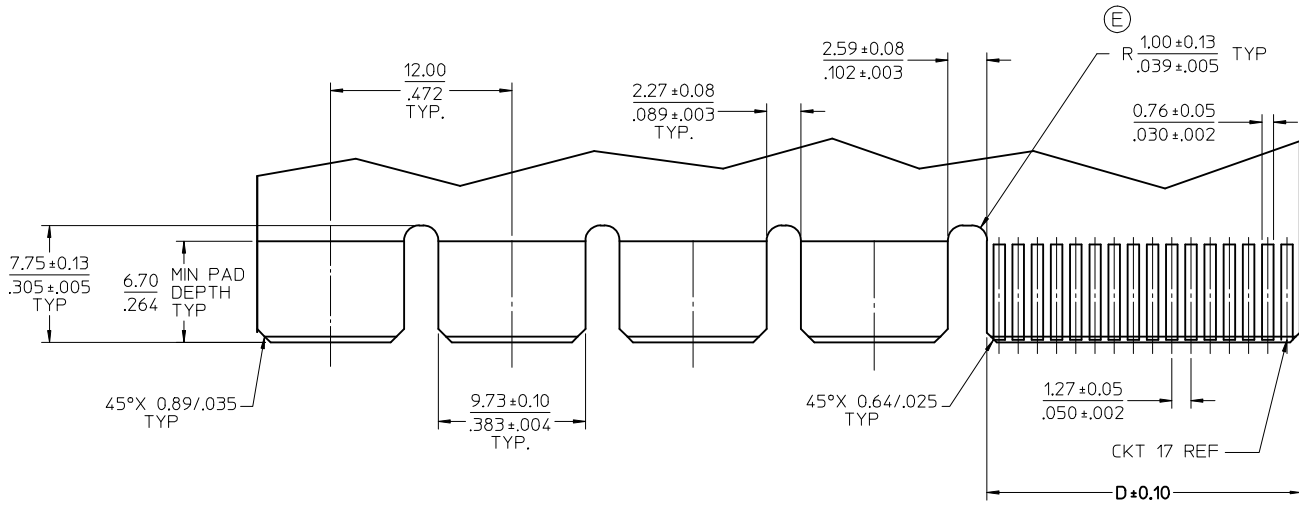
UPDATE LOGO EC NO: S2016-1044 2016/05/18 DRW:ALIN06 2016/06/03 CHKD:JZENG APPR:KHLIM 2016/06/10	QUALITY SYMBOLS DESCRIPTION REV	GENERAL TOLERANCES (UNLESS SPECIFIED)		DIMENSION STYLE MM/IN	SCALE 2:1	DESIGN UNITS METRIC	THIRD ANGLE PROJECTION		
		4 PLACES ± --- ± --- 3 PLACES ± --- ± .010 2 PLACES ± 0.25 ± --- 1 PLACE ± --- ± ---	mm INCH ± --- ± --- ± .010 ± --- ± --- ± --- ± ---	DRAWN BY MKARADIMAS	DATE 07/18/07	TITLE LPH VERTICAL RECEPTACLE COMPLIANT PIN ASSEMBLY 8CKT PWR CONN, PRESS FIT			
		APPROVED BY JCOMERC I		DATE 2009/12/03	MOLEX MOLEX INCORPORATED				
		DRAFT WHERE APPLICABLE MUST REMAIN WITHIN DIMENSIONS		MATERIAL NO. SEE CHART	DOCUMENT NO. SD-46114-800	SHEET NO. 2 OF 3			

POWER 8 CKT

SIGNAL 32 CKT

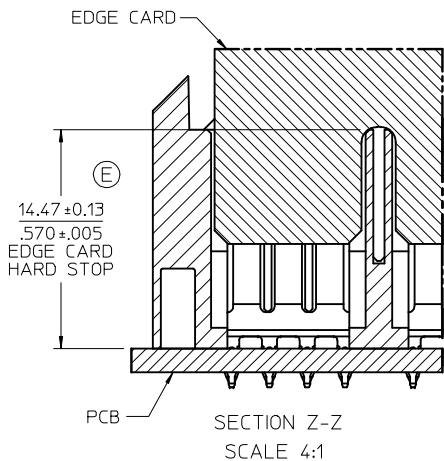


NO OF SIGNAL	DIM. D
12	8.00/.315
16	10.54/.415
20	13.08/.515
24	15.62/.615
28	18.16/.715
32	20.70/.815
36	23.24/.915
40	25.78/1.015



RECOMMENDED EDGE CARD LAYOUT  
EDGE CARD THICKNESS: 1.57/.062 ± 0.15/.006  
PLATING: GOLD 30 μ INCHES MIN.  
OVER 150 μ INCHES NICKEL.

PCB LAYOUT: COMPONENT SIDE  
SEE SHT 1 FOR DIMENSIONS



UPDATE LOGO EC NO: S2016-1044 2016/05/18 DRWN:LN06 CHKD:JZENG APPR:KHLIM	DESCRIPTION 2016/06/03 2016/06/10	QUALITY SYMBOLS	GENERAL TOLERANCES (UNLESS SPECIFIED)		DIMENSION STYLE MM/IN	SCALE 4:1	DESIGN UNITS METRIC	THIRD ANGLE PROJECTION	
			4 PLACES ± --- ± ---	3 PLACES ± --- ± .010	DRAWN BY MKARADIMAS	DATE 07/18/07	TITLE LPH VERTICAL RECEPTACLE COMPLIANT PIN ASSEMBLY 8CKT PWR CONN, PRESS FIT		
REV			2 PLACES ± 0.25 ± ---	1 PLACE ± --- ± ---	CHECKED BY APATEL	DATE 07/20/07	APPROVED BY JCOMERCI		
			ANGULAR ± 1/2°		DATE 2009/12/03	MATERIAL NO. DOCUMENT NO. SD-46114-800			
DRAFT WHERE APPLICABLE MUST REMAIN WITHIN DIMENSIONS			SEE CHART		MOLLEX MOLEX INCORPORATED				
					THIS DRAWING CONTAINS INFORMATION THAT IS PROPRIETARY TO MOLEX INCORPORATED AND SHOULD NOT BE USED WITHOUT WRITTEN PERMISSION			SHEET NO. 3 OF 3	