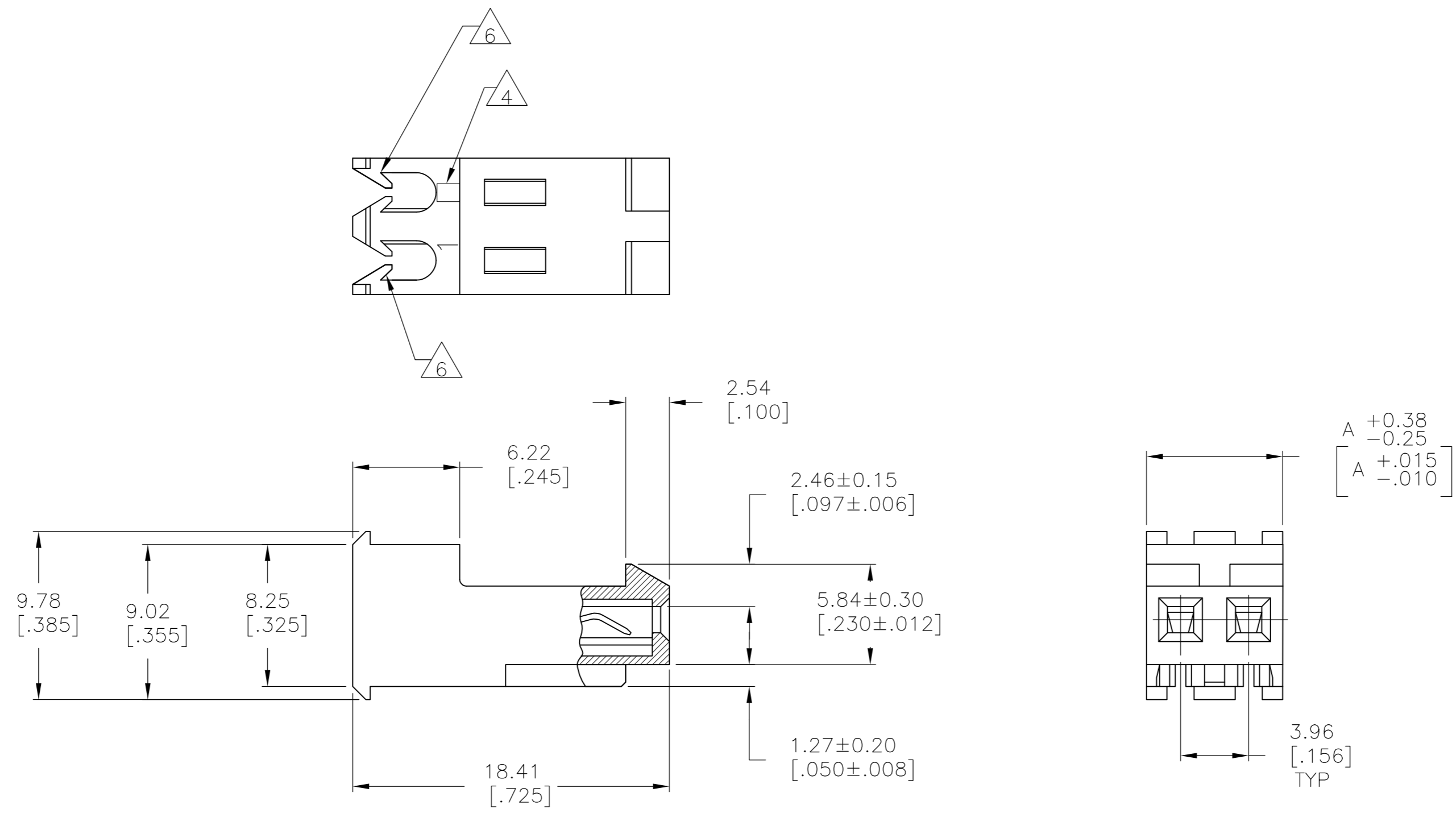


THIS DRAWING IS UNPUBLISHED. RELEASED FOR PUBLICATION
 © COPYRIGHT BY TYCO ELECTRONICS CORPORATION. ALL RIGHTS RESERVED.

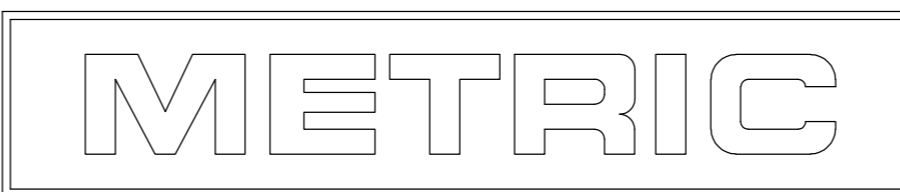
LOC		DIST		REVISIONS			
P	LTR	DESCRIPTION		DATE	DWN	APVD	
	C	ECO-07-012896		26JUN07	KW	DB	



1 MATERIAL: CONNECTOR- NYLON UL94V-2 (ORANGE)
 CONTACTS - 0.30[.012] THICK COPPER ALLOY BRIGHT TIN-LEAD
 0.00203[.000080] MIN THICK FOR -2 THRU -28
 - 0.30[.012] THICK COPPER ALLOY MATTE WHISKER
 MITIGATED TIN 0.00203[.000080] MIN THICKNESS
 OVER NICKEL UNDERPLATE FOR -32 THRU -58.

- 2. CONTACTS ACCEPT 18 AWG WIRE WITH 2.41 [.095] MAXIMUM INSULATION DIAMETER.
- 3. CONTACTS MUST ACCEPT 1.14±0.03 [.045±.001] SQUARE POST AND REMAIN LOCKED IN POSITION.
- 4. IDENTIFICATION NUMBER FOR LAST CIRCUIT MAY NOT APPEAR ON ALL ASSEMBLIES.
- 5. HOUSING FEATURES ARE: FEED THRU WITH LOCKING RAMP.
- 6. CONNECTOR HAS STRAIN RELIEF TINES IN ALL POSITIONS. STANDARD CONNECTOR LACKS TINES ON ONE SIDE OF OUTSIDE WALLS OF HOUSING.

TIN	7.92 [.312]	2	3-647463-2
TIN-LEAD	7.92 [.312]	2	647463-2
FINISH	DIM A	NO. OF CIRCUITS	PART NO.



THIS DRAWING IS A CONTROLLED DOCUMENT.		DWN	S. HAMM	20FEB02	Tyco Electronics Corporation Harrisburg, PA 17105-3608	
DIMENSIONS: mm [INCHES]		CHK	D. BOSSI	20FEB02		
TOLERANCES UNLESS OTHERWISE SPECIFIED:		APVD	D. BOSSI	20FEB02	NAME MTA-156 CONNECTOR ASSEMBLY 18 AWG, SPECIAL	
0 PLC ± -		PRODUCT SPEC				
1 PLC ± -		APPLICATION SPEC			SIZE	A2
2 PLC ± -		WEIGHT	-		CAGE CODE	00779
3 PLC ± 0.13[.005]		CUSTOMER DRAWING			DRAWING NO	C-647463
4 PLC ± -		SCALE	4:1		SHEET	1 OF 1
ANGLES ± -		REV	C			
FINISH						