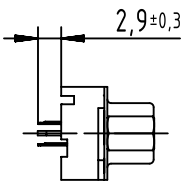
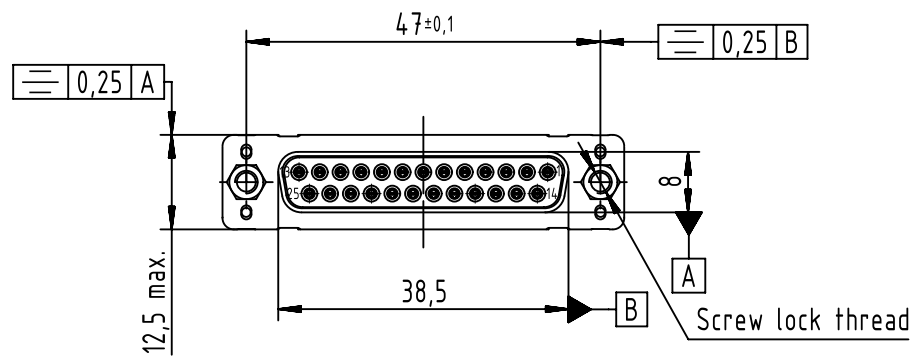
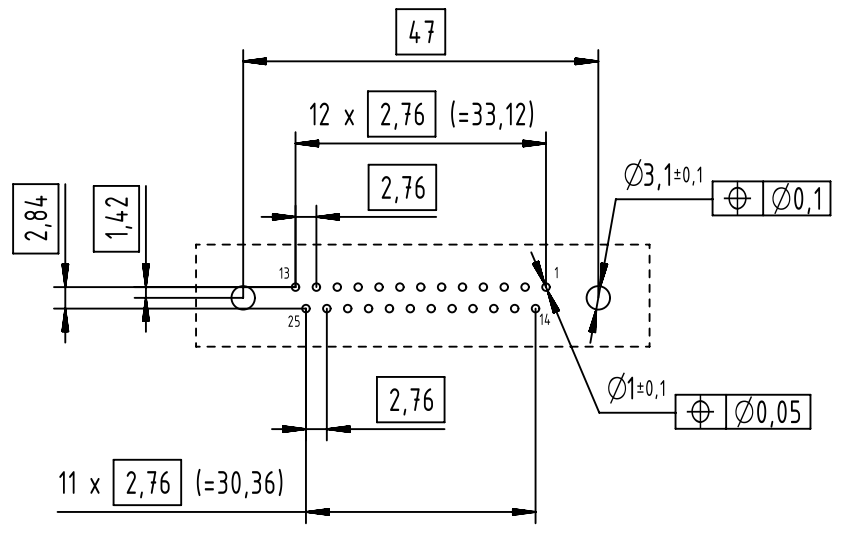
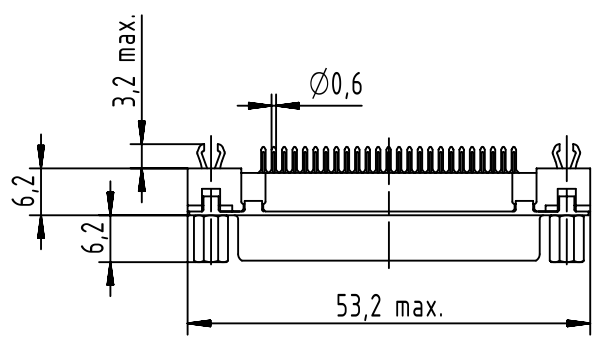


1 2 3 4 5 6

A
B
C
D

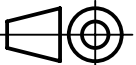



PC-Board layout
view component side
thickness 1,6 mm



Connection retention and insertion forces on PC-Board: 25 N / 80 N

09663513533	M3	PL1
09663516533	M3	PL2
09663517533	M3	PL3
09663513513	4-40 UNC	PL1
09663516513	4-40 UNC	PL2
09663517513	4-40 UNC	PL3
Part number	Screw lock thread	Performance level

 All Dimensions in mm
Original Size DIN A4
 All rights reserved
Department EC PD - FR
 HARTING Electronics GmbH
D-32339 Espelkamp

Scale 1:1	Free size tol.	Ref.
Created by SONN	Inspected by BAGDIKIAN	Standardisation HOFFMANN
Title D-Sub 25-pole Female Straight		Date 2014-09-11
Type TB		State Final Release
Number 0966351X5X3		Doc-Key / ECM-Nr. 100566513/UGD/001/B 500000079204
Rev. B		Page 1/1