

## P/N: T199163

### Copyright

© 2015, FLIR Systems, Inc.

All rights reserved worldwide. Names and marks appearing herein are either registered trademarks or trademarks of FLIR Systems and/or its subsidiaries. All other trademarks, trade names or company names referenced herein are used for identification only and are the property of their respective owners.

### Document identity

Publ. No.: T199163  
 Release:  
 Commit: 28462  
 Language: en-US  
 Modified: 2015-09-15  
 Formatted: 2015-10-17

### Disclaimer

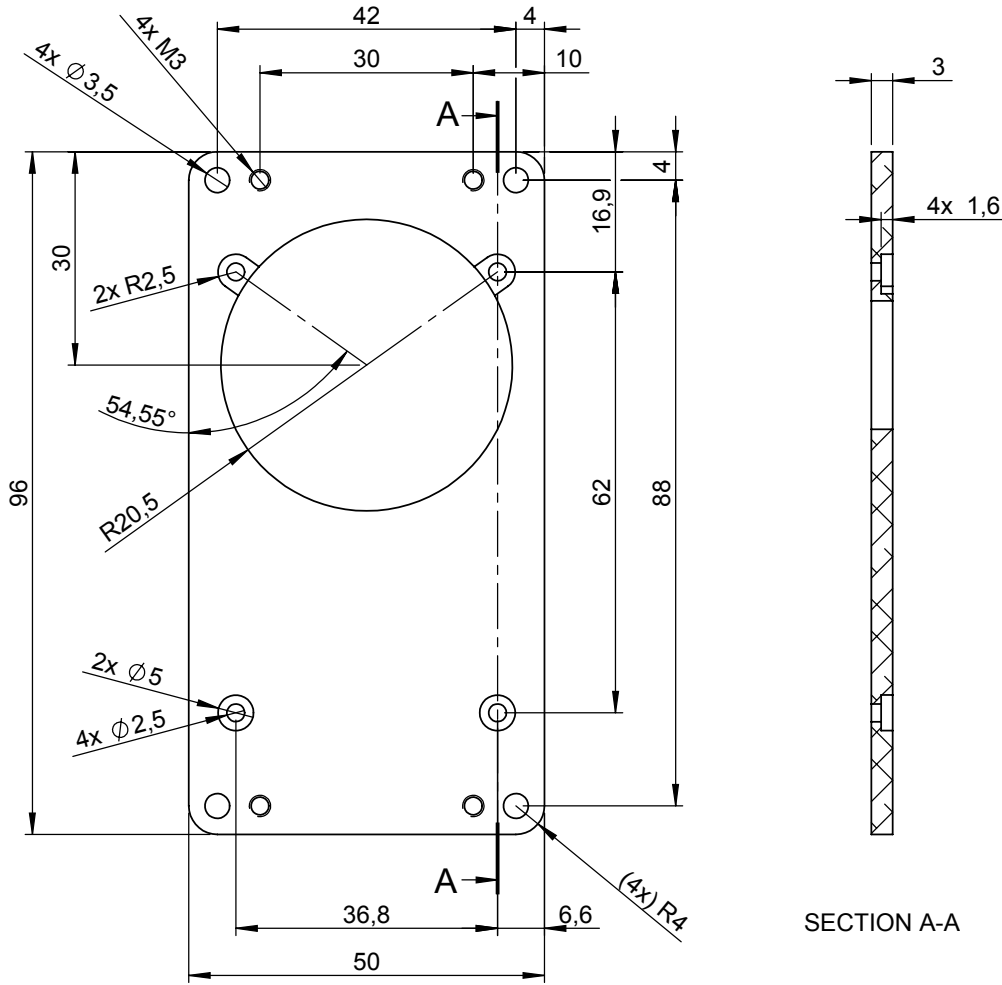
Specifications subject to change without further notice. Camera models and accessories subject to regional market considerations. License procedures may apply. Products described herein may be subject to US Export Regulations. Please refer to [exportquestions@flir.com](mailto:exportquestions@flir.com) with any questions.



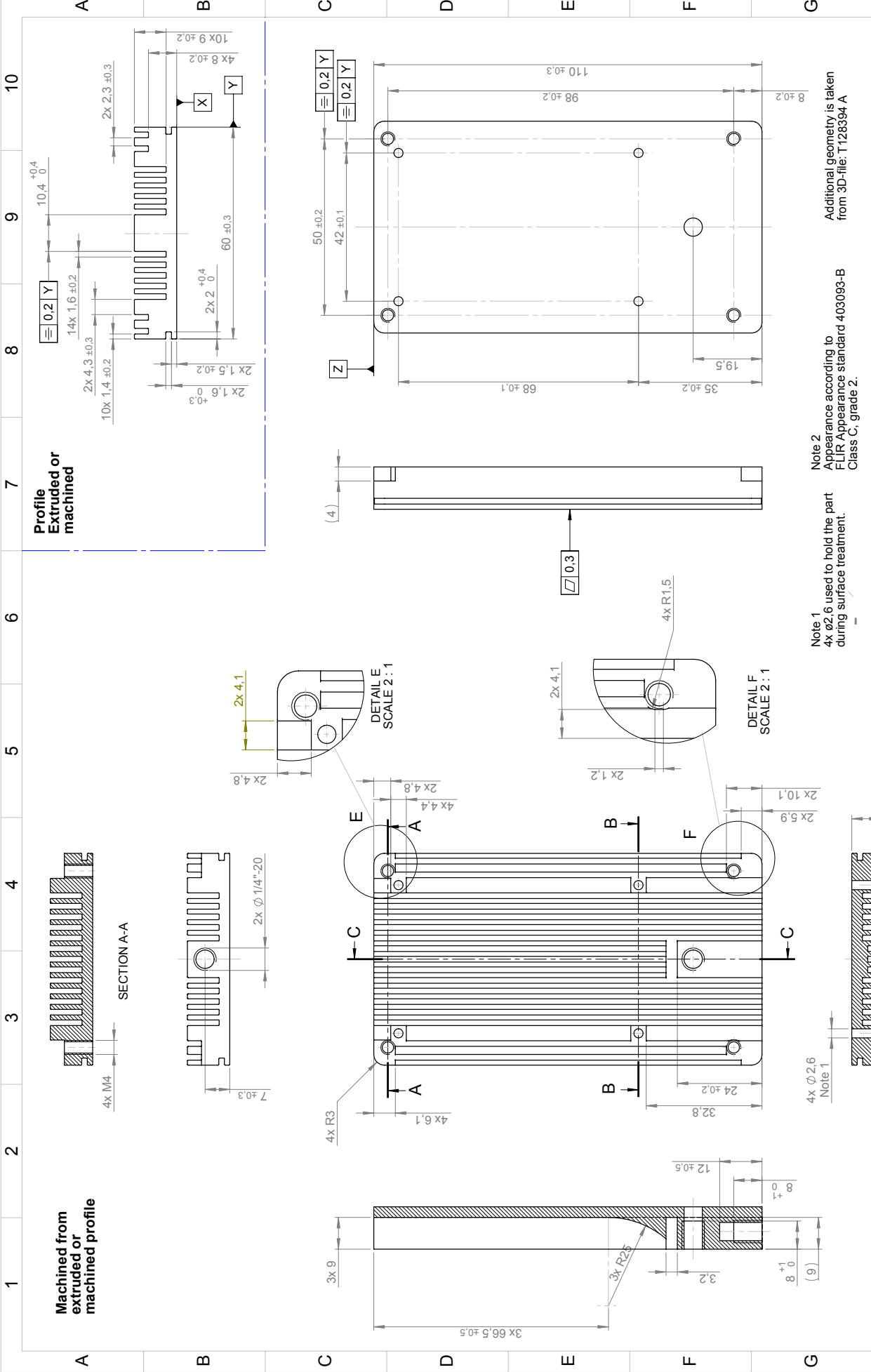
<b>General description</b>	
Front mounting plate kit for mounting a FLIR AX8 camera. Includes cooling bracket.	
<b>Physical data</b>	
<b>Shipping information</b>	
Packaging, type	Cardboard box
List of contents	<ul style="list-style-type: none"> <li>• Front mounting plate</li> <li>• Cooling bracket</li> <li>• Screws</li> </ul>
Packaging, weight	0.269 kg (0.59 lb.)
Packaging, size	183 × 136 × 63 mm (7.2 × 5.4 × 2.5 in.)
EAN-13	4743254002135
UPC-12	845188011659
Country of origin	Sweden x

### Compatible with the following products

- 71201-0101; FLIR AX8 9 Hz



Konstr/Drawn <b>J. MÄKINEN</b>	Datum/Date 2015-03-06	Kontr/Check <b>HAOS</b>	Material EN AW-5052 or EN AW-5754	
Ändrad av/Modified by <b>J. MÄKINEN</b>	Ändrad/Modified 2015-05-21	Ytjämnhet/Roughness Ra    μm	Ytbehandling/Surface treatment	
Där ej annat anges/Unless otherwise stated Gen tol <b>ISO 2768-mK</b> Utdrag ur/Excerpt from ISO 2768-m	Benämning/Denomination <b>Plate mounting front</b>			Skala/Scale <b>1:1</b>
0,5-6    ±0,1    Hålkårsradier (6)-30    ±0,2    Fillet radii (30)-120 ±0,3				
				Blad/Sheet <b>1(1)</b>
				Size <b>A4</b>
			Ritn nr/Drawing No	Rev



<b>FLIR</b> Sheet/Scale: 1:1 Size: A3 Rev: A Title: T128394 Part No: T128394	<b>Bracket cooling</b>
Design/Drawn: P. MARCUS Approved/Modified by: P. MARCUS Date of approval: 2015-03-10 Drawing Description: Bracket cooling	Material: EN AW-6262 R Treatment: Y-behandling/Surface treatment Anodized colorless matt
Datum/Date: 2014-09-18 Konstruktör: JAMA Ytbehandling/Roughness: Ra 3,2 µm Benämning/Denomination: Bracket cooling	Additional geometry is taken from 3D-file: T128394 A
Dwg of part: 403093-B Genom ISO 2768-mK 0,5-6 30-120 120-400 400-1000 ±0,1 ±0,3 ±0,5 ±0,8 Filtrerad Kanten brutna Edges broken	Note 1: 4x ∅2,6 used to hold the part during surface treatment. Note 2: Appearance according to FLIR Appearance standard 403093-B Class C, grade 2.